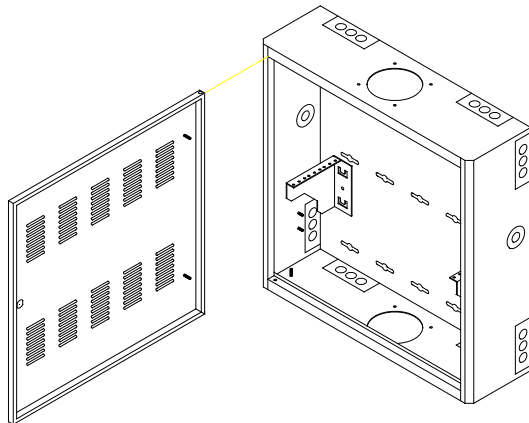


SWE4448-CLC

LDF Wall Cabinet



SWE4448-CL Shown

Features

- Compact shallow design is ideal for small premise, school and office spaces
- Houses 19" multimedia cross connect panels and active network equipment in one cabinet
- 3u rack space for 19" hubs, UPS etc.
- Additional 3u rack space for 19" patch panels that hinges down for front access of terminations
- Optional rail placement provides for deeper equipment mounting (28" deep)
- Cable entrance points include ½" conduit knockouts and standard WM 4000 raceway entrance on all sides
- Secure environment with lock installed on front door
- Vented construction provides dissipation of 160 watts without fan
- Fan Kit installed in bottom of cabinet (optional top placement)
- Door is field reversible from left to right
- UL Listed
- Powder coated finish
- Mounting provisions for duplex electrical box
- Multiple cable tie off points for cable management
- Multiple mounting holes in rear allow for variances in wall studs when mounting
- Ground studs for grounding door to base
- Corbin 60 lock installed

Specifications

- Constructed from 16 gauge carbon steel fully welded
- Mounting rails are provided with #10-32 hardware
- 100 lb. capacity
- Multiple mounting holes on 16" stud centers
- 3u vertical oriented rack space 17" deep & 3 passive rack units
- SWE706-53CFM Quiet Fan installed
- SWETK Thermostat Kit installed
- SWEFGK Filter & Gasket Kit installed
- Colors available (Color code):
 - IBM White (W)
 - Black (BLK)

Ordering Information

SWE4448-CL CW LDF Wall Cabinet 24"Wx7"Dx32"H
with Corbin lock (Cat 60) & Accessories

Optional Accessories

SWE705-RM Power Strip - 6 Outlet

