

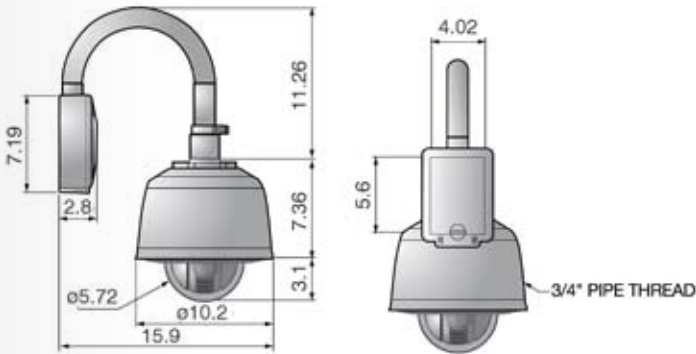
SCC-C7478 (C)

36x Optical Zoom SmartDome™
Camera System

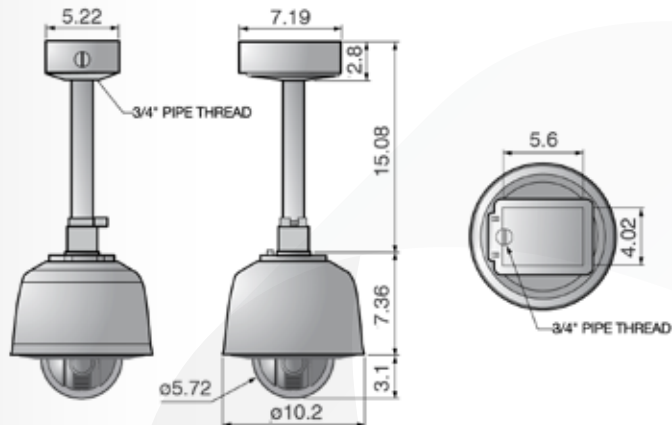


Dimensions (unit : in)

SCC-C7478



SCC-C7478C



Summary

With the SAMSUNG Electronics SCC-C7478(C), you get high performance in 10 minutes or less. These Power Zoom camera systems excel in sharpness and high resolution. Anyone can easily install the camera anywhere, and it adapts to the environmental changes around it perfectly. The SCC-C7478(C) also uses the unique True Wide Dynamic Range to resolve clear images through both glare and shadow.

Features

- 1/4" 410K/470K Pixels ExView-HAD Progressive Scan CCD
- 36x (f=3.4~122.4 mm) Optical Zoom Lens (12x D-Zoom)
- High-Resolution : 540(Color) / 570(BW) TV Lines
- Day/Night function (Moving Filter)
- Full Auto Focus function
- Privacy Mask Zone (8 Area)
- 360° Endless PAN (Slip-ring), 0~180° Tilt
- PAN Speed (Max 360°/sec), Tilt Speed (360°/sec)
- Multi-Protocol support (Pelco-P/D, Samsung)
- Remote Control: RS485/422
- Alarm In(8ea) / Out(4ea)
- Time & Day Scheduling function
- Vector Driving (Pan/Tilt operation simultaneously)
- Built-In Heater & Blower
- IP66 Rated Anti-vandal Housing
- AC24V

*SCC-C7478 - Camera System with Wall Mount

*SCC-C7478C - Camera System with Ceiling Mount

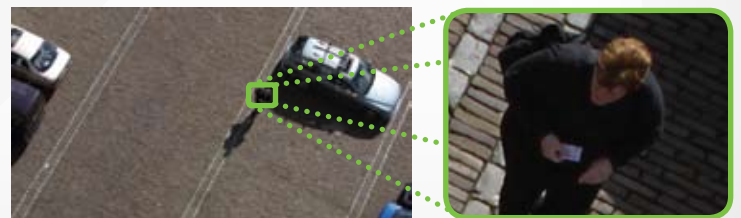
Ultra Easy Install

With the SAMSUNG Electronics SCC-C7478(C), we've done the work for you. We install the camera into the housing, so all you have to do is install your mount and plug it in.



36X Optical Zoom Lens

This camera system features a 36x Auto Focus Optical lens and 12x digital zoom combining to provide 432x zoom.



Sold by:



<http://www.TWComm.com>

Toll Free: (877) 389-0000

SAMSUNG

SAMSUNG | GVI Security • Toll Free: 888-595-2288 • Fax: 972-245-7333

This product specifications and manual are also available in pdf format at www.gviss.com
The information is subject to change without notice • v6.19.09

GVI Security

SCC-C7478(C)

36x Optical Zoom SmartDome™
Camera System

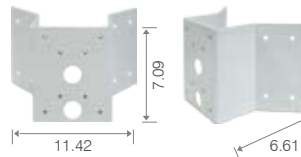


Specifications

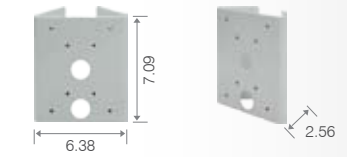
Camera Type	Color/BW	Color			
Image	Device	1/4" ExView-HAD Progressive Scan CCD			
	Pixels	Total	NTSC:811 X 508		
		Effective	NTSC:768 X 494		
Min. Illumination	Color/BW	Illumination	Sens-Up	Color	B/W(S/W)
		50 IRE	Off	1.40 Lux	0.1500 Lux
		30 IRE	Off	0.84 Lux	0.0900 Lux
		15 IRE	Off	0.42 Lux	0.0450 Lux
		50 IRE	64 times	0.0219 Lux	0.0023 Lux
		30 IRE	64 times	0.0131 Lux	0.0014 Lux
		15 IRE	64 times	0.0066 Lux	0.000 Lux
Resolution	Horizontal	540(Color)/570(BW) TV Lines			
	Vertical	350 TV Lines			
S/N Ratio	S/N Ratio	More than 50 dB			
Video Output	Video Output	VBS 1.0Vp-p			
Power	Power Requirement	AC24V, 24W(w/out Fan/Heater)/57W(with Fan/Heater)			
PAN/TILT	Speed	Manual	Pan 0.05°~200°/sec		
		Preset	Pan 360°/sec		
		Manual	Tilt 0.05°~200°/sec		
		Preset	Tilt 360°/sec		
	Range	Panning	0°~360°(Endless)		
		Tilt	180°		
	Number of Auto PAN	8			
	Number of Prese	127			
	Number of Pattern	4			
	Lens	Focal Length	3.4 ~ 122.4mm		
Zoom Ratio		36x Optical			
Aperture Ratio		F1.6(W)/F4.5(T)			
Viewing Angle		Tele	1.70°(H) X 1.27°(V)		
		Wide	57.80°(H) X 43.35°(V)		
Lens Drive Type		DC Auto Iris			
Functions	Mount Type	Board-in type			
	Number of Privacy Zones	8			
	Day/Night	Auto / Day / Night (IR Cut Filter)			
	Wide Dynamic Range	On / Off			
	D-Zoom	Yes(~12x)			
	High Speed Shutter	1/60 ~ 1/10,000 sec			
	Sens-Up	Yes(2x~64x)			
	BLC	On / Off			
	AGC	Auto/Manual(-3~28dB)			
	Anti-Vandal	Yes (IP66 Rated)			
	Camera ID	Dip switch adjustable			
	White Balance	Auto/Manual(Red,Blue Gain Adj.)			
	OSD	OSD	Yes		
	Alarm	Language	E/F/D/S/I/P/R		
		IN	8		
Environmental Conditions	OUT	4(Relay)			
	Operating Temperature	-45°C ~ +50°C			
	Humidity	Less than 90%			
Physical Specification	Dimensions	Camera	259(Ø) X 265.7(H)mm / 10.2(Ø) X 10.4(H) inch		
		Total	Wall Mount (WxHxD): 259 X 404.5 X 551.7 mm / 10.2 X 15.9 X 21.7 inch Ceiling Mount (ØxH): 259 X 648.7 mm / 10.2 X 25.54 in		
	Weight	Total	Wall Mount: 6 Kg / 13.2 lbs Ceiling Mount: 5.8 Kg / 12.8 lbs		
		Color	Body	Light Gray	

Mount Adapter Options

SCX-747KM



SCX-747PM



SCX-747KM

Corner Mount Adapter for 36x PTZ
(SCC-C7478, SNC-C7478)

Material	Steel
Dimensions (W x H x D)	11.42 x 7.09 x 6.61 in 290 x 180 x 168 mm
Weight	5.07 lb / 2,300 g
Operating Temperature	-40°F ~ + 122°F -40°C ~ + 50°C
Operating Humidity	0 ~ 90% RH

SCX-747PM

Pole Mount Adapter for 36x PTZ
(SCC-C7478, SNC-C7478)

Material	Steel
Dimensions (W x H x D)	6.38 x 7.09 x 2.56 in 162 x 180 x 65 mm
Weight	2.87 lb / 1,300 g
Operating Temperature	-40°F ~ + 122°F -40°C ~ + 50°C
Operating Humidity	0~90% RH