

NTSC WV-CL930 (120 V AC)
WV-CL934 (24 V AC or 12 V DC)

PAL WV-CL930 (220 ~ 240 V AC)
WV-CL934 (24 V AC or 12 V DC)
WV-CLR930 (220 ~ 240 V AC, with RS-485 control IF)
WV-CLR934 (24 V AC or 12 V DC, with RS-485 control IF)

Lens: optional



Ultra high sensitivity Day/Night Camera with ABF (Auto Back Focus) for 24 hours a day surveillance

Key Features

- 1/2 inch CCD delivers high sensitivity high quality picture.
- High resolution: 540 TV lines typical / 520 TV lines minimum (Color HIGH mode), 480 TV lines minimum (Color NORMAL mode), 570 TV lines minimum (B/W mode)
- Ultra high sensitivity with Day/Night function: 0.09 lux (Color), 0.008 lux (B/W) at F1.4. IR cut filter switches on and off, and ABF (Auto Back Focus) re-adjusts back focus upon color/BW switching to ensure picture quality of both color and B/W.
- ABF (Auto Back Focus) allows easy installation and stable focus in both color and B/W modes.
- Adaptive Digital Noise Reduction: 2D-DNR and 3D-DNR integration ensures reduced noise in various conditions.
- Peak mode enables appropriate light control to represent sharp bright object.
- BLC (Back Light Compensation): Preset/Manual (Mask 8 x 6) with Peak mode and level control
- Electronic sensitivity enhancement: Auto (Up to 32x) / Manual (Up to 128x)
- Electronic shutter from 1/100 (NTSC), 1/120 (PAL) to 1/10,000 sec.
- Video Motion Detector with Sensitivity 256 steps, Mask 8 x 6 areas
- Scene Change Detection alarms when lens is covered, spray painted, removed or defocused.
- Day/Night input and alarm output terminals
- Auto image stabilizer for applications where vibration or wind is a concern.

- Function command: Various functions such as shutter speed, sensitivity enhancement level can be controlled precisely by function number with Panasonic controller.
- Internal / Line-lock / Gen-Lock (VBS/VS) / Multiplexed Vertical Drive (VD2) synchronization
- Over the coaxial cable or RS-485 data communication (CLR model)
- 16 alphanumeric camera title display
- Multi language setup menu: English, French, Italian, Spanish, German, Russian

Standard Accessories

- | | |
|--|---|
| • Operating Instructions 1 pc. | • AC Power Cord (for WV-CL930) ... 1 pc. |
| • ALC Lens Connector (YFE4191J100) 1 pc. | • C-mount adapter (NTSC only) 1 pc. |

Optional Accessories

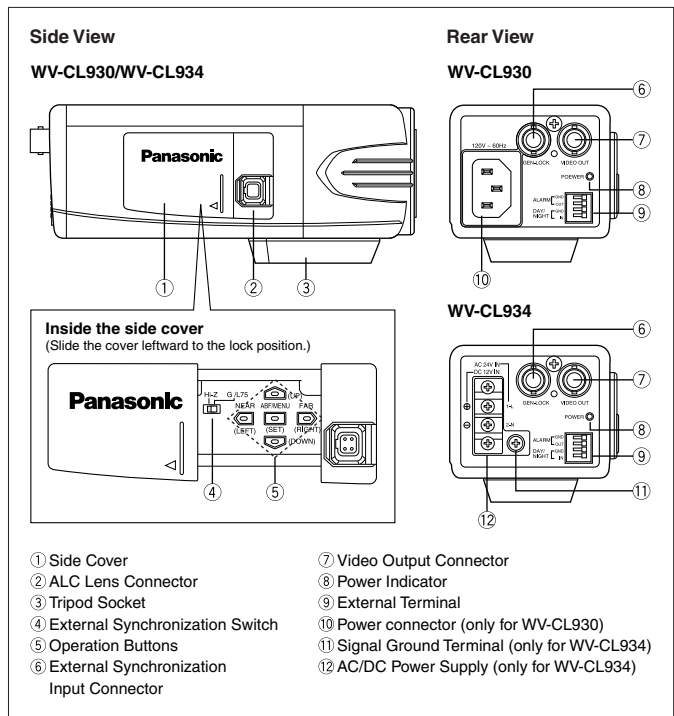
<p>1/2 inch 8.5 - 51 mm Zoom Auto Iris Lens WV-LZ81/6A (NTSC) WV-LZ81/6 (PAL) (F1.2)</p> 	<p>1/2 inch 8 - 80 mm Zoom Auto Iris Lens WV-LZ81/10 (F1.4)</p> 	<p>1/2 inch 6 - 12 mm Varifocal Auto Iris Lens WV-LZ80/2 (F1.4)</p> 
--	--	--

Specifications

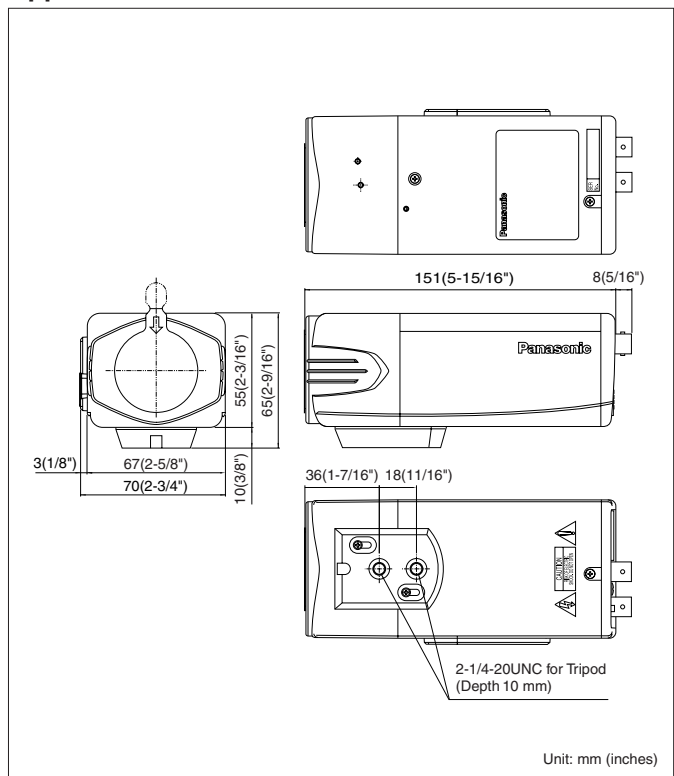
TV System	NTSC	PAL
Camera		
Image Sensor	1/2 inch interline transfer CCD	
Effective Pixels	768 (H) x 494 (V)	752 (H) x 582 (V)
Scanning Mode	2:1 interlace scan	
Scanning Area	6.4 (H) x 4.8 (V) mm	
Scanning Frequency	Horizontal: 15.734 kHz Vertical: 59.94 Hz	Horizontal: 15.625 kHz Vertical: 50.00 Hz
Scanning Line	525 lines	625 lines
Horizontal Resolution	540 TV lines typical at color high mode, 480 TV lines at color normal mode, 570 TV lines at B/W mode	
Minimum Illumination	Color (30 IRE): 0.09 lux (SENS UP: OFF), 0.003 lux* (SENS UP: 32x) at F1.4 B/W (10 IRE): 0.008 lux (SENS UP: OFF), 0.0003 lux* (SENS UP: 32x) at F1.4	
Signal-to-Noise Ratio	50 dB (AGC Off, Weight On)	
White Balance	ATW1, ATW2, or AWC	
Light Control	ALC / ALC + (Integration of ALC and ELC) / ELC with Peak mode	
AGC	ON (adjustable), or OFF	
Back Light Compensation	Preset/Manual (Mask 8 x 6) with Peak mode and level control	
Electronic Shutter	OFF (1/60), 1/100, 1/250, 1/500, 1/1,000, 1/2,000, 1/4,000, 1/10,000 s	OFF (1/50), 1/120, 1/250, 1/500, 1/1,000, 1/2,000, 1/4,000, 1/10,000 s
Electronic Sensitivity UP	OFF / AUTO (2x, 4x, 6x, 10x, 16x, 32x) / FIX (2x, 4x, 6x, 10x, 16x, 32x, 64x, 128x)	
Digital Noise Reduction	High / Mid / Low	
Resolution Mode	Normal / High	
Black and White Mode	Mode: AUTO1 / AUTO2 / ON / OFF, Level: High / Low, with external control	
Video Motion Detection	OFF / Mode1 (VMD) / Mode2 (Scene change), Sensitivity 256 steps, Mask 8 x 6 areas	
Scene Change Detection	Yes, Included in VMD Mode2	
Privacy Zone	ON (Gray/Mosaic) or OFF	
Auto Image Stabilizer	ON / OFF	
Mirror	ON / OFF	
Camera Title	Up to 16 characters	
Lens Mount	CS-mount	
Lens ALC Drive	DC / Video	
Back Focus Adjustment	ABF, MANUAL, AUTO / PRESET / FIX	
Synchronization	Internal (INT), Multiplexed Vertical Drive (VD2), Line-Lock (LL), External (VBS/VS)	
Input/ Output		
Video Output	1.0 V [p-p] / NTSC composite 75 Ω / BNC Connector Multiplexed VD2 and control data capable	1.0 V [p-p] / PAL composite 75 Ω / BNC Connector Multiplexed VD2 and control data capable
External Sync Input	Gen-Lock input	
RS-485 Control IF	CLR model only	
External I/O Terminals	Alarm output, Day/Night input	
General		
Setup Method	OSD setup menu	
Language	English, Russian (For setup menu and camera ID), German, French, Italian, Spanish (For setup menu), Japanese (For camera title. Setup menu will be English.)	
Safety/EMC Standard	UL (6500 Edition2), FCC (Part15 ClassA), C-UL (E60065), DOC (ICES003 ClassA)	CE (EN60065, EN55022, EN55024, ClassB)
Power Source and Power Consumption	WV-CL930: 120 V AC 60 Hz: 4.6 W WV-CL934: 24 V AC 60 Hz: 4.0 W 12 V DC 350 mA	WV-CL930 / WV-CLR930: 220 ~ 240 V AC 50 Hz: 4.7 W WV-CL934 / WV-CLR934: 24 V AC 50 Hz: 4.0 W 12 V DC 340 mA
Ambient Operating Temperature	-10 °C ~ +50 °C (14 °F ~ 122 °F)	
Ambient Operating Humidity	90 % or less (without condensation)	
Dimensions	70 mm (W) x 65 mm (H) x 151 mm (D) (2-3/4" (W) x 2-9/16" (H) x 5-15/16" (D))	
Weight (approx.)	WV-CL930: 570 g (1.25 lbs.) (without power cord) WV-CL934: 560 g (1.23 lbs.)	

* Estimated figure

Part Names and Functions



Appearance



- All TV pictures are simulated.
- Weights and dimensions are approximate.
- Specifications are subject to change without notice.
- These products may be subject to export control regulations.
- All product pictures are NTSC models.

Important

– Safety Precaution: carefully read the operating instructions and installation manual before using this product.

DISTRIBUTED BY:



Panasonic

<http://panasonic.co.jp/pss/cctv/en/>

Printed in Japan (2A-032L)