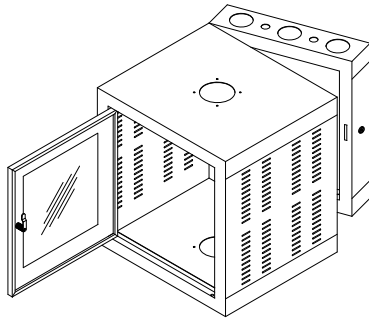




Innovative Metal Industries

SWE100399

Zone Consolidation Wall Cabinet



Features

- 19" wide rack mounting unit
- Solid front door standard and is field reversible from left to right swing
- Locks on front and rear section keyed alike
- All welded steel construction
- Mounting rails are tapped #10-32 and are fully adjustable front to rear
- Dual swing unit provides access to rear of equipment
- Lift off style rear hinge with security hardware to allow separation of rear section only in the open position and is field reversible from left to right swing
- Three 2" cable entrance holes in both top and bottom of rear section
- Back pan is pre-punched to accept cable spools for service loop
- Ventilated sides of center section for maximum cooling
- Optional Rear Mounted Swing Frame for Panel and Accessories can be added anytime

Note: Standard is left hand swing. To rapidly change to right hand swing order hinge kit part number SWE4510-A

Specifications

- Constructed from carbon steel
- All welded construction
- Mounting rails are zinc plated 14 gauge carbon steel construction with all holes tapped #10-32 EIA standard spacing
- Solid doors are constructed from carbon steel
- 24" deep units have 22.5" usable depth
- Colors available (Color code):
Black (BLK)

Ordering Information

SWE100399-8U Zone Wall Mount Cabinet
24"Wx24"Dx15"H

(8 rack spaces 75-lb. weight capacity)

SWE100399-12U Zone Wall Mount Cabinet
24"Wx24"Dx24"H

(12 rack spaces 100-lb. weight capacity)

Standard Accessories

SWE4510-A	Right Hand Swing Hinge Kit
MR14	Mounting Rails (Pair) 8U
MR22.5	Mounting Rails (Pair) 12U
SWE706-53CFM	Quiet fan 53 CFM
402498	Rear Mounted Swing Frame 12U
402499	Rear Mounted Swing Frame 8U
SWEGB20-4	Set of 4 service loop cable spools

To order: Add color code to end of part number, e.g. SWE100399-8UBLK

Tel: (909) 383-9300
www.swdp.com



Fax: (909) 383-9339