



HUBBELL iStation Audio/Video Connectors, Pro-AV USB Coupler

iSTATION™ System 1.5U
Integration.

Pro-AV Style Mounting.

USB 2.0 Performance.

A and B or B to A Reversible.

A to B or B to A
reversible coupler.



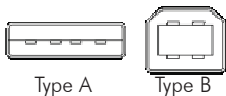
Quick and easy
connection installation.

Universally accepted standard
D-shape housing.

Ideal for audio networking and
integration of computer based
equipment into audio systems.

SPECIFICATIONS

- ◆ **Connector Type:** 2.0
- ◆ **Performance:** 480 Mbps
- ◆ **Electrical:**
Contact resistance: < 30 mΩ (mated pair).
Dielectric strength: 0,5 kVdc (1 min) Insulation
resistance: > 1 GΩ.
Rated current per contact: 1,5 A.
Rated voltage: < 30 V ac.
- ◆ **Mechanical:**
Insertion force: < 35 N.
Withdrawal force: > 10 N.
Lifetime: > 1500 mating cycles.
- ◆ **Material:**
Contact plating: Au.
Contacts: CuZn36.
Insert: Polyamide (PA 6).
Shell: Zinc diecast (ZnAl4Cu1).
Shell plating: Black chromium.
- ◆ **Environmental:**
Flammability: UL 94 V-0.
Temperature range: -25 °C to +85 °C.
- ◆ **Type:**
Standard A and B footprint.



Type A

Type B

Hubbell's Pro-AV USB 2.0 connector provides a perfect solution for connecting computer peripherals to a computer workstation. Requiring just a plug 'n play patch cord connection from the device to the computer, Hubbell's Pro-AV USB 2.0 connector installs easy into an iSTATION™ 1.5U module.

Hubbell's Pro-AV USB 2.0 connector is a A to B or B to A reversible connection. Simply install this connector into iSTATION™ AV Blank module. AV Blank modules are available in 7 standard colors and front load into any iSTATION™ product, Hubbell Delivery System products including poke throughs and raceway, or iSTATION™ UDX multimedia panels.

Create a customized multimedia workstation outlet by adding a Pro-AV USB connector along with Hubbell's extensive line of AV connectors, iSTATION™ modules and XCELERATOR™ jacks.

CABLE TERMINATION

Cable Type: Standard USB A and B patch cord connections.

Distance: USB maximum connection length may not exceed 5 meters, non-active. With amplification follow manufacturer's specifications.

CONNECTOR TERM

Universal Serial Bus (USB) is a serial bus standard to interface devices. It was originally designed for personal computers, but it has become commonplace on scanners, printers, handheld devices such as portable memory devices, video game consoles, PDAs and portable media players.

APPLICATIONS SUPPORTED

- ▲ Connecting Peripherals to a Computer(s):
 - KVM - Keyboard and mouse devices.
 - Printers, scanners.
 - External storage, networking components.
 - PDAs, phones, MP3 players, gamepads and joysticks.
 - Digital voice recorders, digital cameras and video recorders.

INSTALLATION TIPS

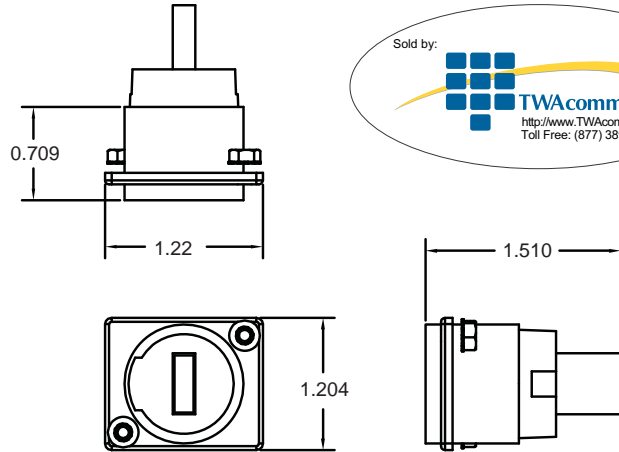
Important: Always allow for clearance behind connection location to ensure for proper bend radius and patch cord connector depth.

AV Connector, Pro-AV USB



Qty. 10-pack
 Catalog No. **USB10**

DIMENSIONS

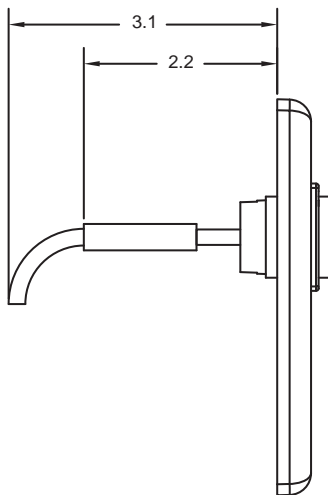


AV Modules, Pro-AV Blank

Description Pro-AV Blank, Unloaded, 1.5 Unit, 10-pk
 Catalog No. **IMAVB15XX**

XX = Housing Colors
 "AL" = Almond; "BK" = Black; "EI" = Electric Ivory; "GY" = Gray;
 "LA" = Light Almond; "OW" = Office White; "W" = White.

CONNECTOR DEPTH CHART



iSTATION™ COMPATIBLE

Work Station and Cross-Connect Solutions

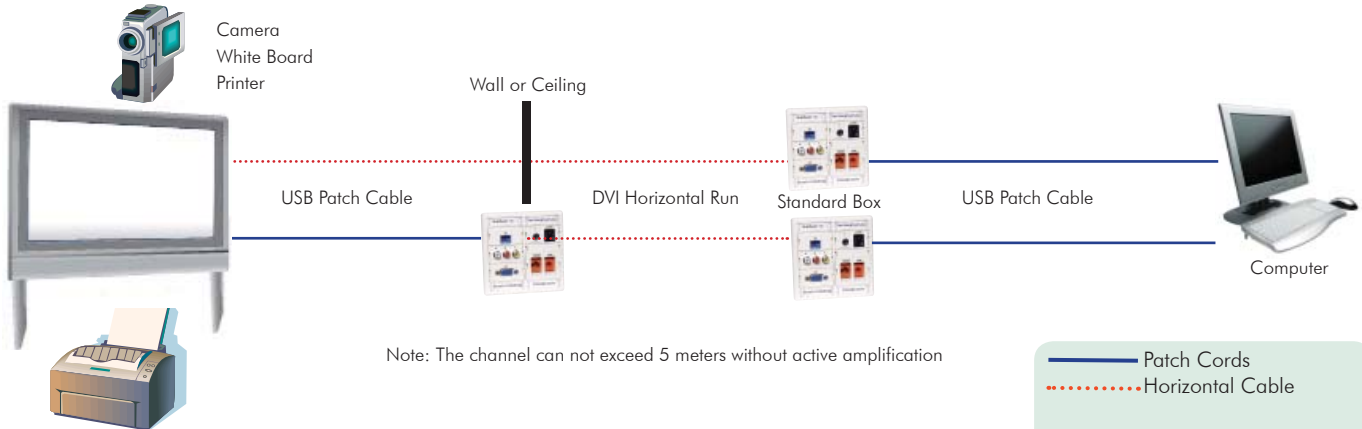
- iSTATION™ Front-loading Plates
- Decorator Frames
- iSTATION™ UDX Multimedia Panels
- iFRAME® Vertical Patch Panel

Hubbell Delivery System

- Hubbell SystemOne Poke-Throughs and Floor Boxes
- Hubbell Surface Raceway, Metal and Non-Metallic
- Multi-Connect™ Wall Boxes/Conference Table Boxes



TYPICAL APPLICATIONS



Note: The channel can not exceed 5 meters without active amplification

— Patch Cords
 - - - Horizontal Cable

Pro-AV, USB Connector in Hubbell iSTATION™ face plate.



Hubbell Premise Wiring

HUBBELL INCORPORATED (Delaware)
 14 Lord's Hill Road • Stonington, CT 06378-0901 • (860) 535-8326 • 800-626-0005
 Fax: (860) 535-8328 • Internet site: <http://www.hubbell-premise.com>

Worldwide Locations

Hubbell Premise Wiring, Asia Pacific
 Hubbell Canada Inc.
 Hubbell Premise Wiring, Central America
 Hubbell Premise Wiring, China
 Hubbell Premise Wiring, Europe
 Hubbell Premise Wiring, India
 Hubbell Int'l. Inc., Korea Branch

852-2836-7131
 905-839-1138
 506-309-4158
 86-21-6374 2660
 44-01283 500500
 91-80-4022-4089
 (82 2) 2607 1363

Fax: 852-2836-7132
 Fax: 905-839-9108
 Fax: 506-260-1616
 Fax: 86-21-6374 2799
 Fax: 44-01283 500400
 Fax: 91-80-4022-4033
 Fax: (82 2) 2603 7386

Hubbell Premise Wiring, Latin America
 Hubbell de Mexico, S.A. de C.V.
 Hubbell Premise Wiring, Middle East
 Hubbell Premise Wiring, Puerto Rico
 Hubbell-Taian Co., Ltd., Taiwan
 Hubbell Premise Wiring, Venezuela

305-408-4501
 (5255) 9151-9999
 971-4-393-4192
 787-855-1075
 886-2-2522-1862
 58-212-5156482

Fax: 305-408-8201
 Fax: (5255) 9151-9989
 Fax: 971-4-393-4194
 Fax: 787-855-3265
 Fax: 886-2-2522-1872
 Fax: 58-212-6627258