



HUBBELL iStation AV Modules, 110 RCA Component Video

iSTATION™ Front-Loading Footprint.

Seamless Hubbell System Integration.

Transmit HD Video Signals.

110-Style Termination (UTP).

Standard 110-style termination.



Deliver component AV signals.

High impact, flame-retardant Polymer.

SPECIFICATIONS

- ◆ **Connector:**
 - Connector Body: Brass.
 - Plating: Nickel 100μ"
 - Contact: Nickel over Phosphorous Bronze
- ◆ **Performance:**
 - Distance:
 - Component Video: Maximum 75'
 - Mating Cycles: 500+
- ◆ **Material:**
 - Module: Flame-retardant Polymer UL 94V-0.
- ◆ **Insulator Color:** Red, Green and Blue.

Hubbell's iSTATION™ 110 Component RCA modules deliver high quality HD Video signals to any workstation or transmitting/receiving device. The Component RCA 110 modules utilize UTP cable (category 3, 5, 5e, 6, 6A) to deliver component video signals within a horizontal point-to-point run.

iSTATION™ Component RCA 110 modules are available in 7 standard colors and front loads into any iSTATION™ product, Hubbell Delivery System products including poke-throughs and surface raceway or UDX iSTATION™ multimedia panels to distribute composite signals. Requiring no soldering, these connectors install with a snap.

Create a customized multimedia work station by adding an iSTATION™ 110 Component RCA module along with Hubbell's extensive line of AV connectors, loaded modules and XCELERATOR™ jacks.

CABLE TERMINATION

- Cable Type:**
- 110 IDC's: 24 AWG UTP, Cat 3, 5, 5e, 6, 6A.
 - RCA: Male RCA Plug (patch cord).

APPLICATIONS SUPPORTED

- Component HD video distribution.
- TV, CCTV, CATV and satellite.
- Home theater and entertainment systems.
- Cameras, camcorders and projectors.
- Security and surveillance systems.

CONNECTOR TERM

RCA Connector: The standard connector used in line-level consumer and studio sound equipment. RCA connectors supply unbalanced signal and are used in almost all systems and between almost all audio/video components. They are used for inter-connecting Composite, Component and Digital coaxial audio video signals.

INSTALLATION TIPS

Termination: IDC side of connection is a 110 style punch down. Place the module into the termination puck before lacing/termination for stability. Simply lace in pair 1, 2 and 4 of UTP into the designated areas of the 110 IDC block. The key practice is to use the same pair/pairs on each side of the horizontal run. Also use the same pair color combinations for each application (Composite, Component, Left and Right Audio, 3.5mm and S-Video).



iSTATION™ 110, RCA Component AV Modules

See RCA Insulator Color Chart below for applications.



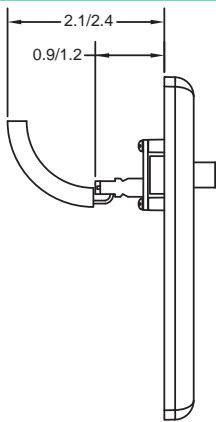
Description
 RCA (3) Component, 110-Style Module
XX = Color: "AL" = Almond; "BK" = Black; "EI" = Electric Ivory; "GY" = Gray; "LA" = Light Almond; "OW" = Office White; "W" = White.

Catalog No.
IMCR1101XX

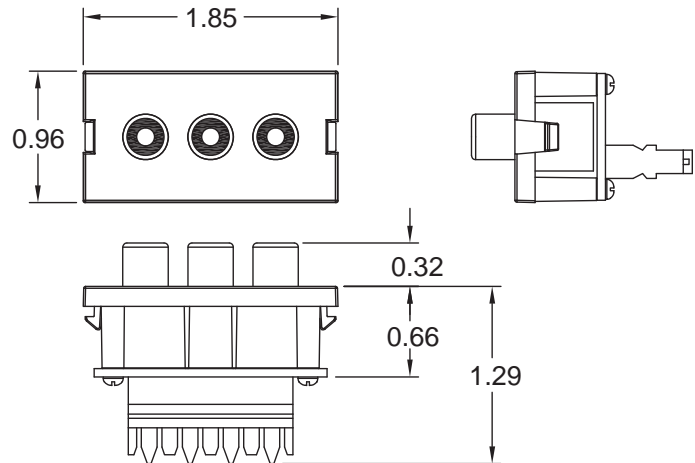
RCA INSULATOR COLOR: APPLICATIONS

Color	Audio	Video
Red	Right Signal	Component - Red (Pr/Cr)
White	Left Signal	
Yellow		Composite
Blue		Component - Blue (Pb/Cb)
Green		Component - Green (Y)
Black	Mono/Right	
Orange	Digital (S/PDIF)	Digital (S/PDIF)

CONNECTOR DEPTH CHART



DIMENSIONS



iSTATION™ COMPATIBLE

Work Station and Cross-Connect Solutions

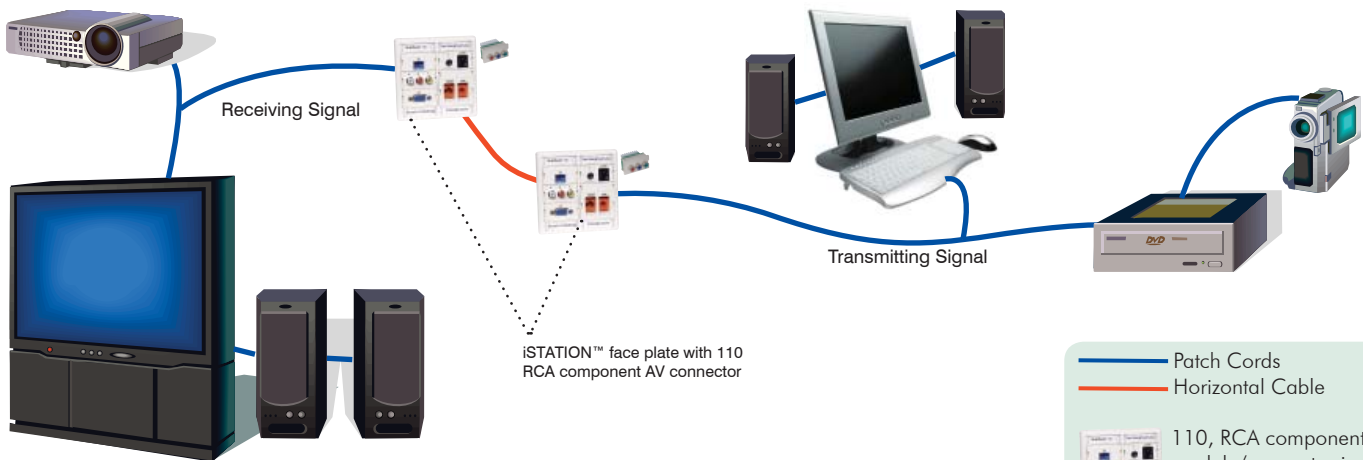
- Font and rear-loading plates
- UDX iSTATION™ Multimedia Panels
- iFRAME® Vertical Patch Panel

Hubbell Delivery System

- Hubbell SystemOne Poke-Thrus and Floor Boxes
- Hubbell Surface Raceway, Metal and Non-Metallic
- Multi-Connect™ Wall Boxes/Conference Table Boxes



TYPICAL APPLICATION



— Patch Cords
 — Horizontal Cable

110, RCA component module/connector in a Hubbell iSTATION™ face plate.



Hubbell Premise Wiring

HUBBELL INCORPORATED (Delaware)
 14 Lord's Hill Road • Stonington, CT 06378-0901 • (860) 535-8326 • 800-626-0005
 Fax: (860) 535-8328 • Internet site: <http://www.hubbell-premise.com>

Worldwide Locations

Hubbell Premise Wiring, Asia Pacific
 Hubbell Canada Inc.
 Hubbell Premise Wiring, Central America
 Hubbell Premise Wiring, China
 Hubbell Premise Wiring, Europe
 Hubbell Premise Wiring, India
 Hubbell Int'l. Inc., Korea Branch

852-2836-7131
 905-839-1138
 506-309-4158
 86-21-6374 2660
 44-01283 500500
 91-80-4022-4089
 (82 2) 2607 1363

Fax: 852-2836-7132
 Fax: 905-839-9108
 Fax: 506-260-1616
 Fax: 86-21-6374 2799
 Fax: 44-01283 500400
 Fax: 91-80-4022-4033
 Fax: (82 2) 2603 7386

Hubbell Premise Wiring, Latin America
 Hubbell de Mexico, S.A. de C.V.
 Hubbell Premise Wiring, Middle East
 Hubbell Premise Wiring, Puerto Rico
 Hubbell-Taian Co., Ltd., Taiwan
 Hubbell Premise Wiring, Venezuela

305-408-4501
 (5255) 9151-9999
 971-4-393-4192
 787-855-1075
 886-2-2522-1862
 58-212-5156482

Fax: 305-408-8201
 Fax: (5255) 9151-9989
 Fax: 971-4-393-4194
 Fax: 787-855-3265
 Fax: 886-2-2522-1872
 Fax: 58-212-6627258