



HUBBELL iStation AV Modules, RCA Component, Solder

iSTATION™ Front-Loading
Footprint.

Seamless Hubbell System
Integration.

Transmits HD Quality Component
Video Signals.

Solder Termination.

Standard solder
termination.



Deliver HD component
AV signals.

High impact, flame-
retardant Polymer.

SPECIFICATIONS

- ◆ **Connector:**
Connector Body: Brass.
Nickel-plated: 100μ"
- ◆ **Performance:**
Impedance: 75 Ohms.
Mating Cycles: 500+
- ◆ **Material:**
Module: Flame-retardant Polymer
UL 94V-0.
- ◆ **Insulator Color:** Red, Green and Blue.

Hubbell's iSTATION™ component RCA solder modules deliver high quality HD video signals to any workstation or transmitting/receiving device. The component RCA solder modules utilize 20-30 AWG coaxial cable to deliver component HD video signals within a horizontal point-to-point run.

iSTATION™ component RCA solder modules are available in 7 standard colors and front loads into any iSTATION™ product, UDX iSTATION™ multimedia panels or Hubbell Delivery System solution including poke-throughs and surface raceway to distribute component video signals. Requiring soldering, these connectors install with a snap.

Create a customized multimedia work station by adding an iSTATION™ component RCA solder module along with Hubbell's extensive line of AV connectors, loaded modules and XCELERATOR™ jacks.

CABLE TERMINATION

Cable Type: Coax 75 Ohm - 20-30AWG.
RCA: Male RCA Plug (Patch Cord).

APPLICATIONS SUPPORTED

- Component HD video distribution.
- TV, CCTV, CATV and satellite.
- Home theater and entertainment systems.
- Cameras, camcorders and projectors.
- Security and surveillance systems.

CONNECTOR TERM

RCA Connector: The standard connector used in line-level consumer and studio sound equipment. RCA connectors supply unbalanced signal and are used in almost all systems and between almost all audio/video components. They are used for inter-connecting Composite, Component and Digital coaxial audio video signals.

INSTALLATION TIPS

Important: Always allow for clearance behind connection location to ensure for proper bend radius.

Soldering Tips: Cleanliness - Temperature - Time - Solder Coverage - These key factors affect the quality of the joint.

A little effort spent in soldering a perfect joint will eliminate a considerable amount of time in troubleshooting a defective joint in the future.

iSTATION™ RCA Component, Solder AV Modules

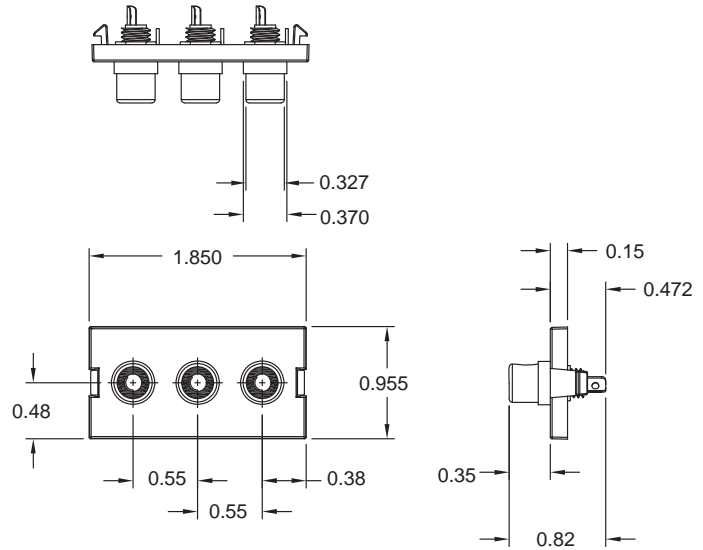
See RCA Insulator Color Chart below for applications.



Description	Catalog No.
RCA (3) Component, Solder Module	IMCRS1XX
XX = Color: "AL" = Almond; "BK" = Black; "EI" = Electric Ivory; "GY" = Gray; "LA" = Light Almond; "OW" = Office White; "W" = White.	



DIMENSIONS



RCA INSULATOR COLOR: APPLICATIONS

Color	Audio	Video
Red	Right Signal	Component - Red (Pr/Cr)
White	Left Signal	
Yellow		Composite
Blue		Component - Blue (Pb/Cb)
Green		Component - Green (Y)
Black	Mono/Right	
Orange	Digital (S/PDIF)	Digital (S/PDIF)

iSTATION™ COMPATIBLE

Work Station and Cross-Connect Solutions

- iSTATION™ front-loading plates
- UDX iSTATION™ Multimedia Panels
- iFRAME® Vertical Patch Panel

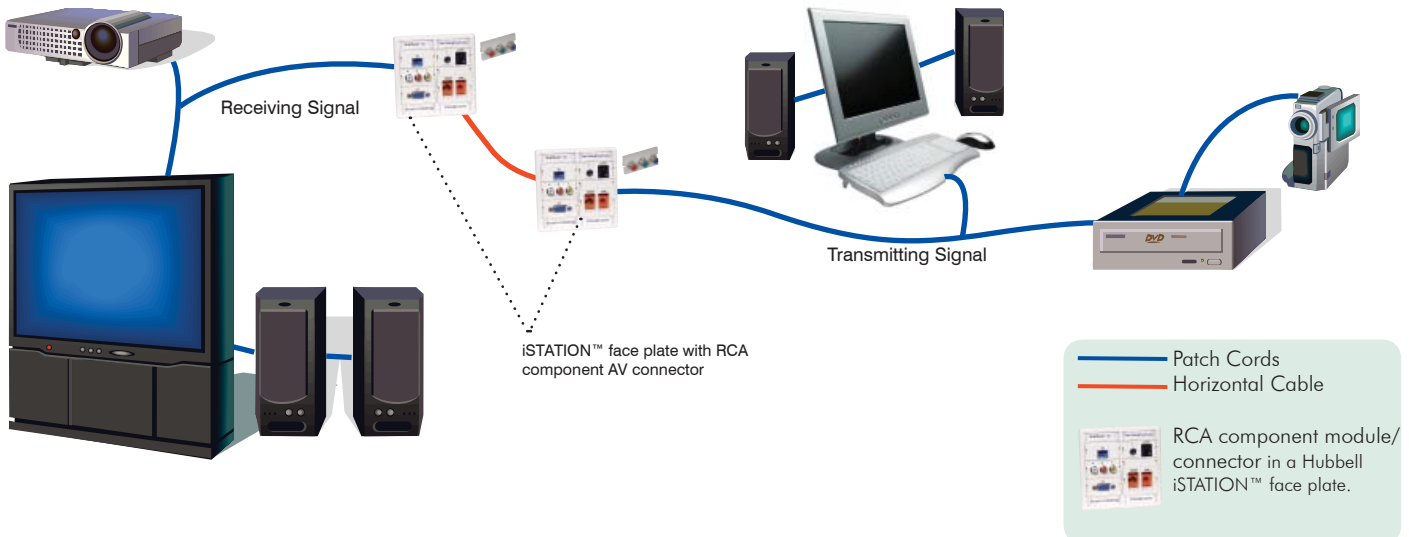


Hubbell Delivery System

- Hubbell SystemOne Poke-Throughs and Floor Boxes
- Hubbell Surface Raceway, Metal and Non-Metallic
- Multi-Connect™ Wall Boxes/Conference Table Boxes



TYPICAL APPLICATION



Hubbell Premise Wiring

HUBBELL INCORPORATED (Delaware)
 14 Lord's Hill Road • Stonington, CT 06378-0901 • (860) 535-8326 • 800-626-0005
 Fax: (860) 535-8328 • Internet site: <http://www.hubbell-premise.com>

Worldwide Locations

Hubbell Premise Wiring, Asia Pacific	852-2836-7131	Fax: 852-2836-7132	Hubbell Premise Wiring, Latin America	305-408-4501	Fax: 305-408-8201
Hubbell Canada Inc.	905-839-1138	Fax: 905-839-9108	Hubbell de Mexico, S.A. de C.V.	(5255) 9151-9999	Fax: (5255) 9151-9989
Hubbell Premise Wiring, Central America	506-309-4158	Fax: 506-260-1616	Hubbell Premise Wiring, Middle East	971-4-393-4192	Fax: 971-4-393-4194
Hubbell Premise Wiring, China	86-21-6374 2660	Fax: 86-21-6374 2799	Hubbell Premise Wiring, Puerto Rico	787-855-1075	Fax: 787-855-3265
Hubbell Premise Wiring, Europe	44-01283 500500	Fax: 44-01283 500400	Hubbell-Taian Co., Ltd., Taiwan	886-2-2522-1862	Fax: 886-2-2522-1872
Hubbell Premise Wiring, India	91-80-4022-4089	Fax: 91-80-4022-4033	Hubbell Premise Wiring, Venezuela	58-212-5156482	Fax: 58-212-6627258
Hubbell Int'l. Inc., Korea Branch	(82 2) 2607 1363	Fax: (82 2) 2603 7386			