



HUBBELL iStation AV Modules, 110 RCA, Audio

iSTATION™ Front-Loading Footprint.

Seamless Hubbell System Integration.

Transmit Quality Audio Signals. 110-Style Termination (UTP).

Standard 110-type UTP termination.



Delivers audio signals.

High impact, flame-retardant Polymer.

SPECIFICATIONS

- ◆ **Connector:**
 - Connector Body: Brass.
 - Plating: Nickel 100µ"
 - Contact: Nickel over Phosphorous Bronze
- ◆ **Performance:**
 - Distance: Audio RCA: Maximum 100'
 - Mating Cycles: 500+
- ◆ **Material:**
 - Module: Flame-retardant Polymer UL 94V-0
- ◆ **Insulator Color:** Red and White.

Hubbell's iSTATION™ 110 Audio RCA modules deliver high quality Audio signals to any workstation or transmitting/receiving device. The Audio RCA 110 modules utilize UTP cable (Category 3, 5, 5e, 6, 6A) to deliver audio signals within a horizontal point-to-point run.

iSTATION™ Audio RCA 110 modules are available in 7 standard colors and front loads into any iSTATION™ product, Hubbell Delivery System products including poke-throughs and surface raceway, or UDX iSTATION™ multimedia panels to distribute audio signal. Requiring no soldering, these connectors install with a snap.

Create a customized multimedia work station by adding an iSTATION™ RCA Audio 110 module along with Hubbell's extensive line of AV connectors, loaded modules and XCELERATOR™ jacks.

CABLE TERMINATION

- Cable Type:**
- 110 IDC's: 24 AWG UTP Cat 3, 5, 5e, 6, 6A
 - RCA: Male RCA Plug (Patch Cord)

APPLICATIONS SUPPORTED

- Stereo audio distribution.
- TV, CCTV, CATV and satellite.
- Home theater and entertainment systems.
- Cameras, camcorders and projectors.
- Security and surveillance systems.

CONNECTOR TERM

RCA Connector: The standard connector used in line-level consumer and studio sound equipment. RCA connectors supply unbalanced signal and are used in almost all systems and between almost all audio/video components. They are used for inter-connecting Composite, Component and Digital coaxial audio video signals.

INSTALLATION TIPS

Termination: IDC side of connection is a 110 style punch down. Place the module into the termination puck before lacing/termination for stability. Simply lace in pair 2 and 4 of UTP into the designated areas of the 110 IDC block. The key practice is to use the same pair/pairs on each side of the horizontal run. Also use the same pair color combinations for each application (Composite, Component, Left and Right Audio, 3.5mm and S-Video).



iSTATION™ 110, RCA Audio, AV Modules

See RCA Insulator Color Chart below for applications.



Description

Catalog No.

RCA (2) Audio, 110-Style Termination Module

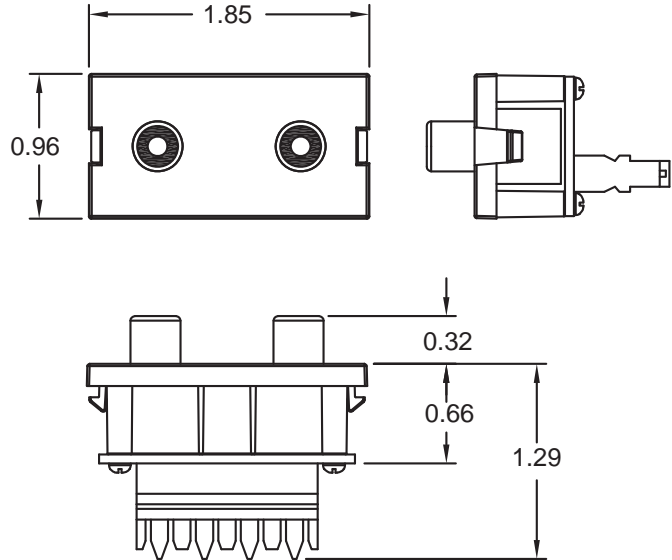
IMAR1101XX

XX = Color: "AL" = Almond; "BK" = Black; "EI" = Electric Ivory; "GY" = Gray; "LA" = Light Almond; "OW" = Office White; "W" = White.

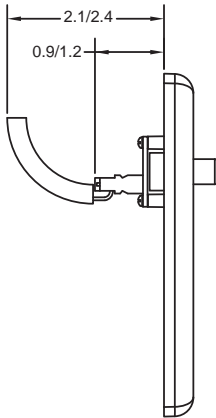
RCA INSULATOR COLOR: APPLICATIONS

Color	Audio	Video
Red	Right Signal	Component - Red (Pr/Cr)
White	Left Signal	
Yellow		Composite
Blue		Component - Blue (Pb/Cb)
Green		Component - Green (Y)
Black	Mono/Right	
Orange	Digital (S/PDIF)	Digital (S/PDIF)

DIMENSIONS



CONNECTOR DEPTH CHART



iSTATION™ COMPATIBLE

Work Station and Cross-Connect Solutions

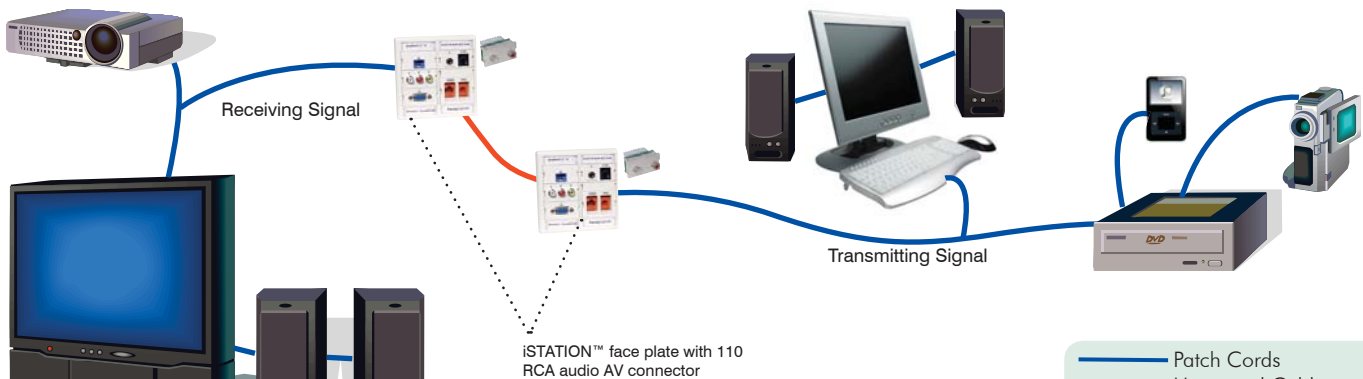
- iSTATION™ front-loading plates
- UDX iSTATION™ Multimedia Panels
- iFRAME® Vertical Patch Panel

Hubbell Delivery System

- Hubbell SystemOne Poke-Thrus and Floor Boxes
- Hubbell Surface Raceway, Metal and Non-Metallic
- Multi-Connect™ Wall Boxes/Conference Table Boxes



TYPICAL APPLICATION



— Patch Cords
— Horizontal Cable

110, RCA audio module/connector in a Hubbell iSTATION™ face plate.



Hubbell Premise Wiring

HUBBELL INCORPORATED (Delaware)
14 Lord's Hill Road • Stonington, CT 06378-0901 • (860) 535-8326 • 800-626-0005
Fax: (860) 535-8328 • Internet site: <http://www.hubbell-premise.com>

Worldwide Locations

Hubbell Premise Wiring, Asia Pacific
Hubbell Canada Inc.
Hubbell Premise Wiring, Central America
Hubbell Premise Wiring, China
Hubbell Premise Wiring, Europe
Hubbell Premise Wiring, India
Hubbell Int'l. Inc., Korea Branch

852-2836-7131 Fax: 852-2836-7132
905-839-1138 Fax: 905-839-9108
506-309-4158 Fax: 506-260-1616
86-21-6374 2660 Fax: 86-21-6374 2799
44-01283 500500 Fax: 44-01283 500400
91-80-4022-4089 Fax: 91-80-4022-4033
(82 2) 2607 1363 Fax: (82 2) 2603 7386

Hubbell Premise Wiring, Latin America
Hubbell de Mexico, S.A. de C.V.
Hubbell Premise Wiring, Middle East
Hubbell Premise Wiring, Puerto Rico
Hubbell-Taian Co., Ltd., Taiwan
Hubbell Premise Wiring, Venezuela

305-408-4501 Fax: 305-408-8201
(5255) 9151-9999 Fax: (5255) 9151-9989
971-4-393-4192 Fax: 971-4-393-4194
787-855-1075 Fax: 787-855-3265
886-2-2522-1862 Fax: 886-2-2522-1872
58-212-5156482 Fax: 58-212-6627258