



HUBBELL
iStation

Audio Video Connectors, F-Type, Recessed

Seamless Hubbell System
Integration.

Universal Keystone Design fits
in all Hubbell Products.

Hubbell Design Technology.

1500 MHz Performance.

High-performance Gold-
Plated F-Connector.



High-impact, flame-
retardant polymer.

Quick and easy "push-on"
-style termination.

Recessed connection
designed for poke-through
applications.

SPECIFICATIONS

- ◆ **Connector:**
 - Connector Body: Brass
 - Gold-plated: 2μ"
- ◆ **Performance:**
 - Range: 1500MHz
 - Impedance: 75 Ohms
 - Mating Cycles: 500+
- ◆ **Housing Material:**
flame retardant polymer rated UL 94V-0.

Hubbell's Recessed F-connector is the perfect solution for video applications requiring flush mounting. Snap the recessed F into a Hubbell poke through, a wall plate, or even a floor box to distribute 75 Ohm coaxial (RG-6 and RG-59) video signal. Requiring no soldering, these F-connectors install with a snap and provide a quick easy "screw-on" or "push-on" termination.

The Recessed F-Connectors are available in seven standard Hubbell colors and flush mount into all **iSTATION™** face plates, modules, frames, surface housings, Hubbell delivery system products including poke throughs, raceway, and UDX multimedia panels.

Create a customized multimedia workstation by adding a Gold F-Connector along with Hubbell's extensive line of AV connectors, loaded modules and **XCELERATOR™** jacks.

CABLE TERMINATION

Cable Type: RG-6 and RG-59 75 ohm coax cable.

APPLICATIONS SUPPORTED

- TV, CCTV, CATV, satellite and home theater.
- Projectors, flat panel TVs, entertainment systems.
- Security and surveillance systems.

CONNECTOR TERM

F-Connector - A common type of connector used for cable TV (CATV), closed circuit TV (CCTV), satellite TV, Internet access through cable modems and security surveillance cameras. Female F-Couplers have a 3/8-32 thread. Most male F-connectors have a matched threaded connecting ring or in some cases are a push-on version. The male F-connector body is terminated by screwing, crimping, or compressing onto the exposed outer braid/shield of the RG-6 or RG-59 cable, leaving the conductor exposed in the center of the connector.

INSTALLATION TIPS

Important: Always allow for clearance behind connection location to ensure for proper bend radius

Termination: Station side of connection is a "push-on" style connector only. Rear side standard screw-style or push-style

Gold Plating: Gold plating encapsulates the base metal (brass) preventing oxidation/corrosion from forming. It also has a more transparent conductive path over nickel, which is closer to copper its transmitting over.

AV Connector, F-Type Recessed

Sold in carton increments only. Carton contains - 25 keystone connectors (individually bagged).



Description Recessed
Catalog No. **SFRGFXX**

XX = Housing Colors

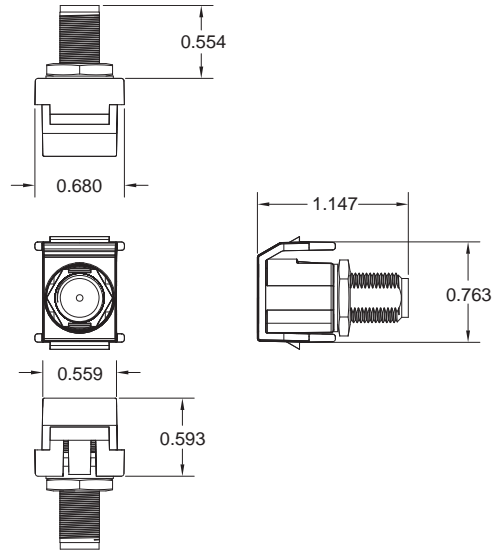
"AL" = Almond; "BK" = Black; "EI" = Electric Ivory; "GY" = Gray;
"LA" = Light Almond; "OW" = Office White; "W" = White.

F-Type Plugs and Tools

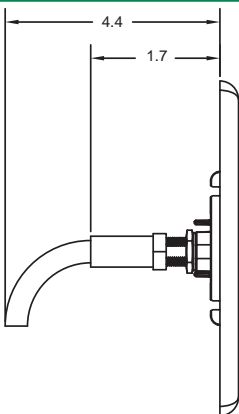
Sold in bags of 25.

Termination Type	Cable Type	No. of Pieces	Catalog No.
Compression	RG6	1	FRG625
Compression	RG59	1	FRG5925
Crimp	RG6	1	FRG6C25
Tools			Catalog No.
Crimp Tool Frame (die-sets sold separately)			UCT
RG6 and RG59 Crimp Die-Set			CDTSRG659
RG6 and RG59 Compression Tool			COMPTRG659

DIMENSIONS



CONNECTOR DEPTH CHART



iSTATION™ COMPATIBLE

Work Station and Cross-Connect Solutions

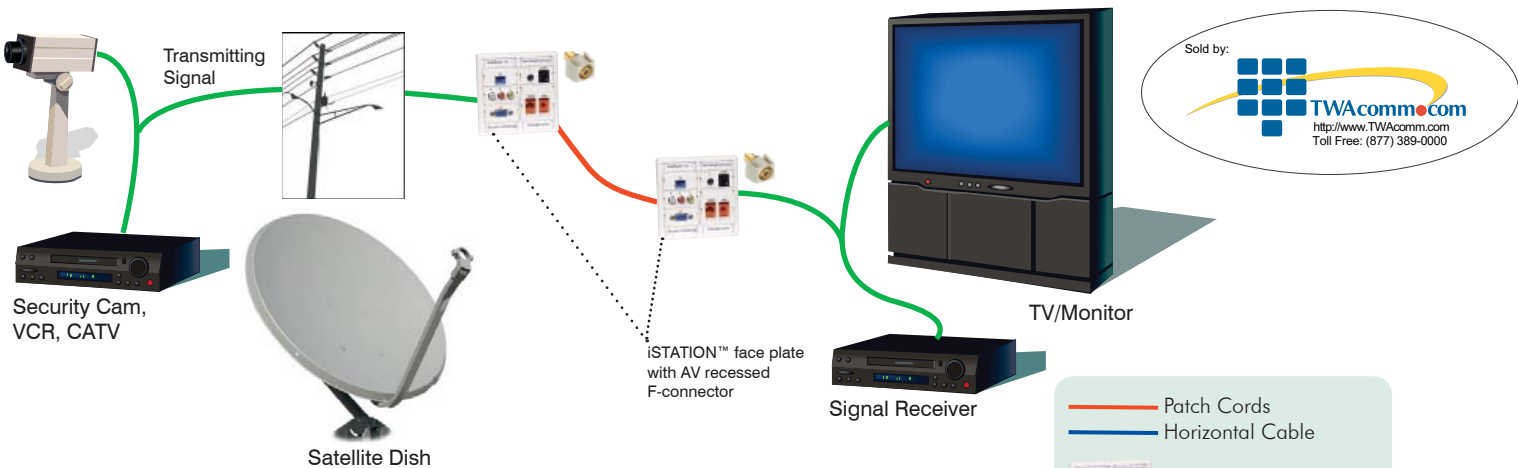
- Front and Rear-loading Plates
- Duplex and Decorator Frames
- ISM Surface Mount Boxes
- UDX Multimedia Panels (except 1U-48)
- netSELECT™: Residential Network Solution
- iFRAME™ Vertical Patch Panel

Hubbell Delivery System

- Hubbell SystemOne Poke-Throughs and Floor Boxes
- Hubbell Surface Raceway, Metal and Non-Metallic
- Multi-Connect™ Wall Boxes/Conference Table Boxes
- Power Poles



TYPICAL APPLICATION



— Patch Cords
— Horizontal Cable

AV recessed F-Connector in a Hubbell iSTATION™ face plate.



Hubbell Premise Wiring
HUBBELL INCORPORATED (Delaware)
14 Lord's Hill Road • Stonington, CT 06378-0901 • (860) 535-8326 • 800-626-0005
Fax: (860) 535-8328 • Internet site: <http://www.hubbell-premise.com>

Worldwide Locations

Hubbell Premise Wiring, Asia Pacific Hubbell Canada Inc. Hubbell Premise Wiring, Central America Hubbell Premise Wiring, China Hubbell Premise Wiring, Europe Hubbell Premise Wiring, India Hubbell Int'l. Inc., Korea Branch	852-2836-7131 905-839-1138 506-309-4158 86-21-6374 2660 44-01283 500500 91-80-4022-4089 (82 2) 2607 1363	Fax: 852-2836-7132 Fax: 905-839-9108 Fax: 506-260-1616 Fax: 86-21-6374 2799 Fax: 44-01283 500400 Fax: 91-80-4022-4033 Fax: (82 2) 2603 7386	Hubbell Premise Wiring, Latin America Hubbell de Mexico, S.A. de C.V. Hubbell Premise Wiring, Middle East Hubbell Premise Wiring, Puerto Rico Hubbell-Taian Co., Ltd., Taiwan Hubbell Premise Wiring, Venezuela	305-408-4501 (5255) 9151-9999 971-4-393-4192 787-855-1075 886-2-2522-1862 58-212-5156482	Fax: 305-408-8201 Fax: (5255) 9151-9989 Fax: 971-4-393-4194 Fax: 787-855-3265 Fax: 886-2-2522-1872 Fax: 58-212-6627258
---	--	---	--	---	---