



HUBBELL iStation Adapter, DVI-A to VGA

iSTATION™ Front-Loading Footprint.

High Definition Video.

Transmit RGBHV Video Signal.

Seamless Hubbell Systems Integration.

Female to Female adapter.



iSTATION™
Mounting
Flexibility.

True HD Video.



SPECIFICATIONS

- ◆ **Connector:** DVI Female adapter. Gold-plated 2μ". Version DVI-A. 15-pin HD D-Sub Female Adapter. Gold Plated 2μ".
- ◆ **Video signal:** Analog RGBHV video.

Red VGA/BNC	Red
Green VGA/BNC	Green
Blue VGA/BNC	Blue
White VGA/BNC	White
Black VGA/BNC	Black

Hubbell's DVI-A to VGA adapter provides an easy way to convert and run High Definition Video from a DVI-A device to a VGA device. The high performance, high quality video connection is designed for minimal signal loss delivering true high definition video to the viewing device.

Providing flexibility and ease-of-use for digital audio/video applications, our DVI to VGA adapter fits into either a high-density 1 or 1.5 unit iSTATION™ module allowing for addition units to be placed into a single-gang faceplate for additional applications.

Create a customized multimedia work station outlet by adding a high-density DVI to VGA adapter along with Hubbell's extensive line of AV connectors, iSTATION™ modules and XCELERATOR™ jacks.

CABLE TERMINATION

Cable Type: Standard DVI Cable Assemblies.
Note: Can not be field terminated.

- Standard VGA Cable Assemblies:
 - Pre-assembled or field-terminated.

APPLICATIONS SUPPORTED

- ▲ Projectors.
- ▲ Smart whiteboard technology.
- ▲ Flat panel monitors.
- ▲ Desktop and laptop computers.
- ▲ Audio/video receivers.
- ▲ Multimedia devices.

CONNECTOR TERM

DVI: Digital Visual Interface is a video interface standard designed to maximize the visual quality of digital display devices such as flat panel LCD computer displays and digital projectors. It is designed to carry uncompressed digital video data to a display.

VGA: The 15-pin high density VGA connector is the standard interface on most video cards, monitors, and computer viewing type devices. The VGA connectors and associated cabling is used to carry analog component RGBHV (red - green - blue - horizontal sync - vertical sync) video signals.

INSTALLATION TIPS

Important: Always allow for clearance behind connection location. Reference connector depth chart due to adapter's length. Always figure in the specified cable assembly's pre-molded boot and cable depth to ensure proper bend radius with DVI or VGA cable assemblies.

Gold Plating: Gold plating encapsulates the connectors base metal (brass) preventing oxidation/corrosion to form. Gold also provides a highly conductive signal path through the connector.

Distance limitations are dependent on the cable type and video applications; verify the applications being used before installing the cable.



Adapter, DVI-I to VGA



Description Catalog No.
DVI to VGA adapter, Female to Female, 1-pk **DVI151**

Unloaded DVI Modules

Description Catalog No.
DVI Blank, Unloaded, 1 Unit, 10-pk **IMBDVI1015XX**
DVI Blank, Unloaded, 1 Unit, 1-pk **IMBDVI15XX**

HDMI 15/9-pin Plates, Frames and Modules

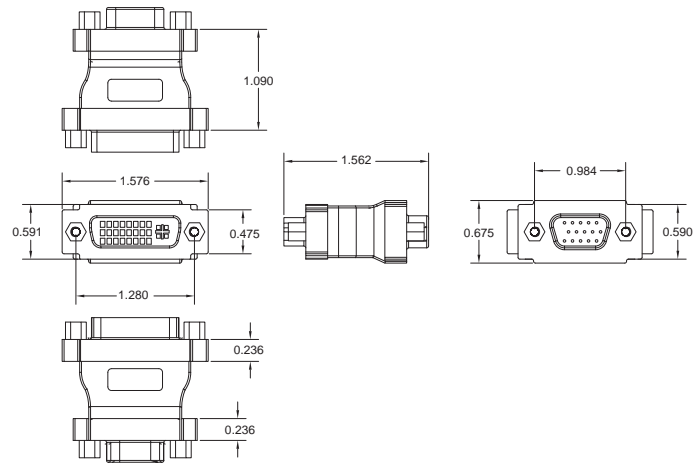
Catalog No. Description
HDMI 15/9-pin Blank, Unloaded, 1 Unit, 10-pk **IMBDS1XX**
HDMI/15/9-pin Blank, Angled Unloaded, 1.5 Unit, 1-pk **IMBDSA15XX**
HDMI 15/9-pin AV, Panel Mount Connector, 3.5mm, Blank, 2 Unit, 1-pk **IMB153X2XX**
HDMI 15/9-pin, 3.5mm, Blank, 1.5 Unit 10-pk **IMB15315XX**
HDMI 15/p-Pin, Decorator Frame, 1-gang, 1-pk **ISFB15XX**

XX = Housing Colors

"AL" = Almond; "BK" = Black; "EI" = Electric Ivory; "GY" = Gray;
"LA" = Light Almond; "OW" = Office White; "W" = White.

CONNECTOR DEPTH CHART

DIMENSIONS



iSTATION™ COMPATIBLE

Work Station and Cross-Connect Solutions

- iSTATION™ Front-loading Plates
- Decorator Frames
- iSTATION™ UDX Multimedia Panels
- iFRAME® Vertical Patch Panel

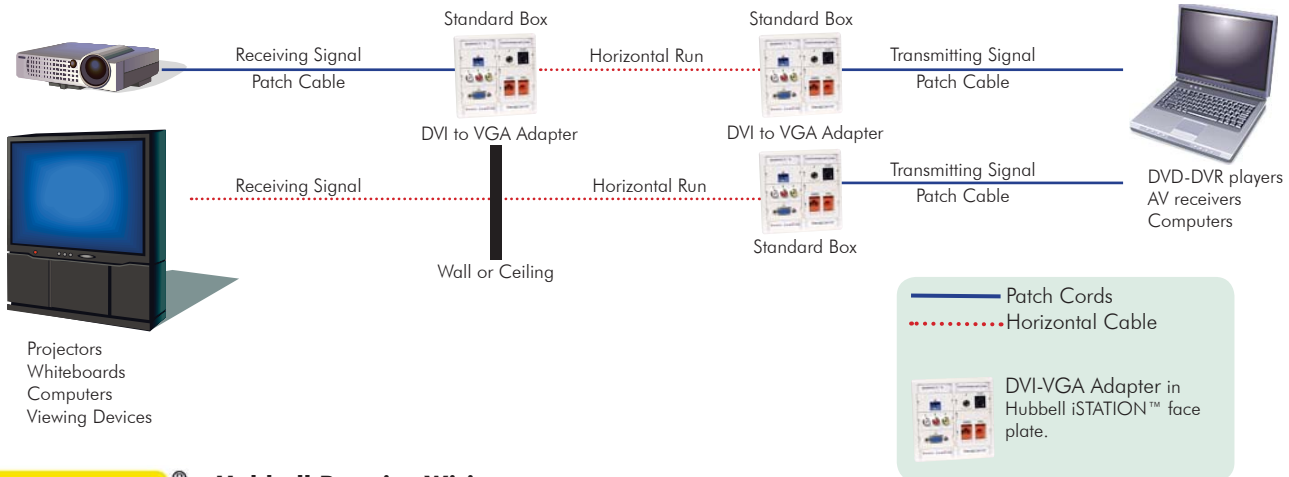


Hubbell Delivery Systems

- Hubbell SystemOne Poke-Throughs and Floor Boxes
- Hubbell Surface Raceway, Metal and Non-Metallic
- Multi-Connect™ Wall Boxes/Conference Table Boxes



TYPICAL APPLICATIONS



Hubbell Premise Wiring

HUBBELL INCORPORATED (Delaware)
14 Lord's Hill Road • Stonington, CT 06378-0901 • (860) 535-8326 • 800-626-0005
Fax: (860) 535-8328 • Internet site: <http://www.hubbell-premise.com>

Worldwide Locations

Hubbell Premise Wiring, Asia Pacific	852-2836-7131	Fax: 852-2836-7132	Hubbell Premise Wiring, Latin America	305-408-4501	Fax: 305-408-8201
Hubbell Canada Inc.	905-839-1138	Fax: 905-839-9108	Hubbell de Mexico, S.A. de C.V.	(5255) 9151-9999	Fax: (5255) 9151-9989
Hubbell Premise Wiring, Central America	506-309-4158	Fax: 506-260-1616	Hubbell Premise Wiring, Middle East	971-4-393-4192	Fax: 971-4-393-4194
Hubbell Premise Wiring, China	86-21-6374 2660	Fax: 86-21-6374 2799	Hubbell Premise Wiring, Puerto Rico	787-855-1075	Fax: 787-855-3265
Hubbell Premise Wiring, Europe	44-01283 500500	Fax: 44-01283 500400	Hubbell-Taian Co., Ltd., Taiwan	886-2-2522-1862	Fax: 886-2-2522-1872
Hubbell Premise Wiring, India	91-80-4022-4089	Fax: 91-80-4022-4033	Hubbell Premise Wiring, Venezuela	58-212-5156482	Fax: 58-212-6627258
Hubbell Int'l. Inc., Korea Branch	(82 2) 2607 1363	Fax: (82 2) 2603 7386			