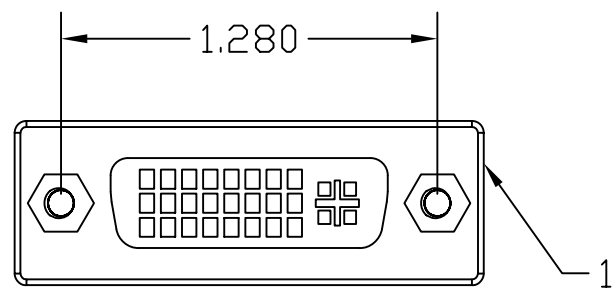
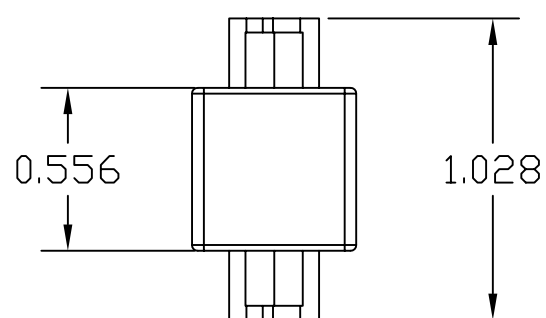
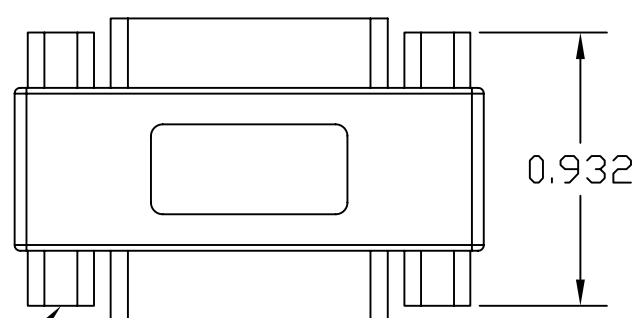
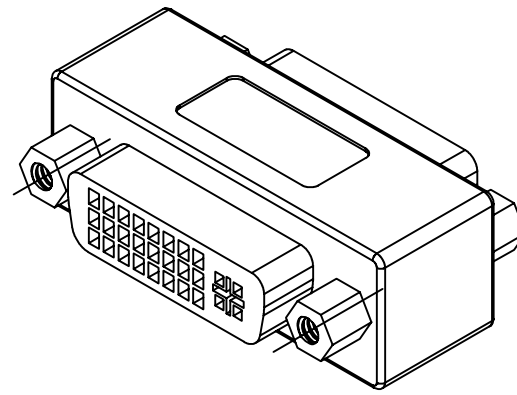
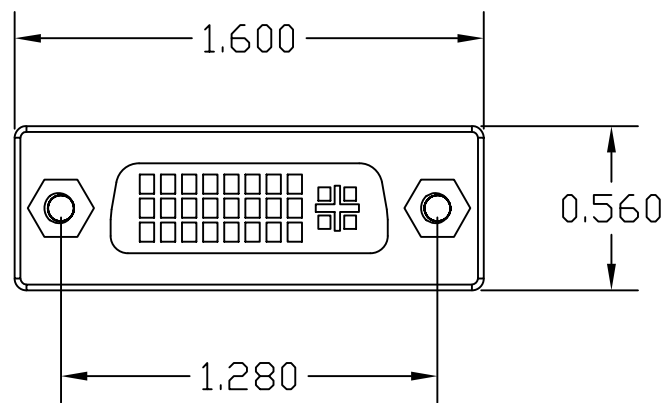


ITEM NO.	DESCRIPTION	QTY.	CATALOG NUMBER	COLOR	DESCRIPTION
1	DVI FEED THRU CONNECTOR	1	DVI1	BLACK	DVI FEED THRU 1PK
2	#4-40 STAND OFF	4	DVI10	BLACK	DVI FEED THRU 10 PK



NOTES:

1. C-U/L-US CERTIFIED
2. SPECIFICATIONS SUBJECT TO CHANGE WITHOUT NOTICE.



REV.	ECN	DATE	DESCRIPTION	CHG BY	APPD BY
A	6005	7/25/07	INITIAL RELEASE	DPO	

Created on AUTOCAD	DIMENSIONING AND TOLERANCE PER ANSI Y14.5M-1982 UNLESS OTHERWISE SPECIFIED, DIMENSIONS ARE IN INCHES (MM). TOLERANCES .XX = ±.01 (.25) .XXX = ±.005 (.127) .XXXX = ±.0025 (.0635) ANGLE TOL ±1°		PROJECT REFERENCE: 2005-020
	IN ACCEPTING OUR DRAWINGS, BLUEPRINTS, OR SUPPORTING DOCUMENTATION FOR QUOTATION OR OTHER PURPOSES, YOU AGREE NOT TO DISCLOSE TO OTHERS THE IDEAS, INFORMATION, OR DESIGNS SHOWN HEREIN, AND THAT YOU WILL MAKE NO USE OF SAME WITHOUT PERMISSION		MATERIAL:
			DRAWN BY: D.O'CONNOR 7/25/07
			CHECKED BY:
		APPROVED BY:	TITLE: DVI TO DVI, FF ADAPTER

		Hubbell Premise Wiring HUBBELL INCORPORATED (Delaware) 14 Lord's Hill Road, Stonington, Connecticut 06378	
SIZE C	DRAWING NO. HWS12514C	REV. A	
SCALE: 2 TO 1		SHEET 1 OF 1	