



HUBBELL
iStation

Audio/Video Connectors, Plug-n-Play VGA Connections

iSTATION™ System Integration.

Easy Plug-n-Play Installation.

Zero Termination.

Multiple Configurations
Supports Different VGA
Requirements.

Termination is now just a simple "Plug-n-Play" connection.



Over-molding provides connector strain relief behind the plate.

Saves valuable time on installation.

SPECIFICATIONS

- ◆ Connector:
 - 15-pin PCB Mount
 - 15-pin Contact: Gold Plated 2 micro inch
 - 8-pin PCB Mount
 - Pin Brass-Nickel Plated
- ◆ Module Material:
 - Module: Flame Retardant Polymer
 - UL Rated: 94 V-0
- ◆ Performance:
 - UXGA: 1600 x 1200 pixels

CONNECTOR TERM

The common 15-pin VGA connector found on most video cards, computer monitors, flat panels, projectors, and other component video devices. It is universally called "HD-15". HD stands for "high-density", which distinguishes it from connectors having the same (form factor) number of pins.

"VGA connectors" and their associated cabling are almost always used solely to carry analog component RGBHV (red-green-blue-horizontal sync-vertical sync) video signals along with DDC2 digital clock and data.

CABLE TERMINATION

Cable Type: 30 AWG 75 Ohm
5 mini Coax: Plenum
3 mini Coax w/Twisted Pair: Non-Plenum
Factory terminated

Hubbell's iSTATION™ Plug-n-Play VGA high-density DB15 connections provide the industry's fastest terminating video connection. The high performance, high quality video connection is designed for minimal signal loss delivering a transparent video stream to the viewing device.

The iSTATION™ Plug-n-Play VGA is just that, plug it in and walk away. These connectors take the termination out of the installation, saving valuable time and labor on the job site. The VGA connector comes in various connector and horizontal run configurations to adapt to any VGA video application. Each horizontal VGA run is factory tested and terminated, ensuring video integrity, repeatability and consistency.

Providing flexibility and ease-of-use for multimedia applications, our iSTATION™ Plug-n-Play VGA connectors fit into a high-density iSTATION™ module which is 1 unit in size, allowing for 3 units to fit in a single gang iSTATION™ faceplate.

Create a customized multimedia outlet by adding a iSTATION™ "Plug-n-Play" VGA connector along with HPW's extensive line of AV connectors, iSTATION™ modules and XCELERATOR™ jacks.

APPLICATIONS SUPPORTED

Desktop computers, laptop computers, flat panel televisions, monitors and projectors.

INSTALLATION TIPS

Important: Always allow for clearance behind connection location to ensure for proper bend radius (see page 2 for connector details).

Bring cable to the back of the HD-15 connector and plug directly into the 8-pin DIN connection. Even though the connector snaps onto the cable we recommend using a wire tie to ensure stability.

ORDER INFORMATION

AV Connector, Plug-n-Play VGA Connections



Description	Catalog No.
15-pin to 8-pin, Straight 180°, 10-pack	15S6P10
15-pin to 8-pin, Angled 45°, 10-pack	15A6P10
15-pin to 8-pin, 8" Tail, 10-pack	15T6P10
15-pin to 8-pin, Angled 90°, 10-pack	15N6P10
15-pin to 8-pin, Straight 180°, 1-pack	15S6P1
15-pin to 8-pin, Angled 45°, 1-pack	15A6P1
15-pin to 8-pin, 8" Tail, 1-pack	15T6P1
15-pin to 8-pin, Angled 90°, 1-pack	15N6P1
15-pin Screw Terminal, 10-pack	15ST10
15-pin Feed Through, 10-pack	15GC10

Description	Catalog No.
HD 15-pin Opening, Unloaded, 1 Unit	15BDS1XX

Colors - Replace **XX** with color code:
 Almond = "**AL**"; Black = "**BK**"; Gray = "**GY**"; Electric Ivory = "**EI**";
 Light Almond = "**LA**"; Office White = "**OW**"; White = "**W**"

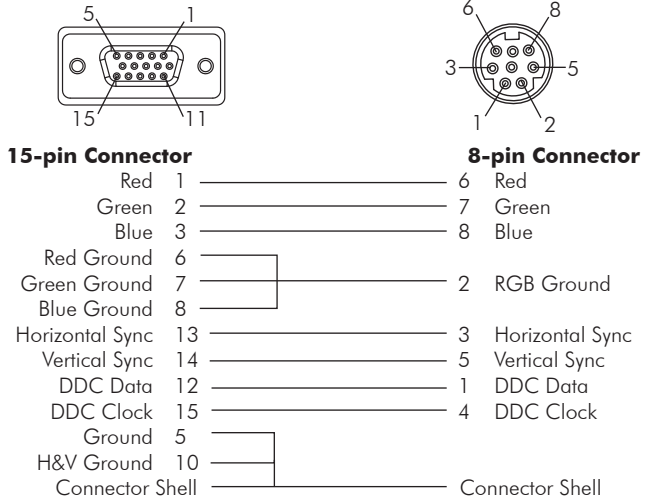
Plug-n-Play VGA Horizontal Runs



Description	Catalog No.
VGA, 8-pin, Non-Plenum, Black	VGA6XXBK
VGA, 8-pin, Plenum, Black	VGA6PXXBK
VGA, 8-pin, 15-pin F, Non-Plenum, Black	VG15F6XXBK
VGA, 8-pin, 15-pin M, Non-Plenum, Black	VG15M6XXBK
VGA, 8-pin, 15-pin M, Plenum, Black	VG15MP6XXBK

XX=Length 05,10,15, 20, 25, 30, 35, 40, 45, 50, 55, 60, 65, 70, 75, 80, 85, 90, 95, 100

CONNECTOR PIN-OUT



DDC VESA DISPLAY DATA CHANNEL

Display Data Channel (DDC) is a VESA (Video Electronics Standard Association) standard that defines how to read certain pins in a standard SVGA monitor to query the monitor's capabilities.

iSTATION™ COMPATIBLE

Workstation and Cross-Connect Solutions

- Front-loading Plates
- UDX Multimedia iSTATION™ Panels
- iFRAME™ Vertical Patch Panel

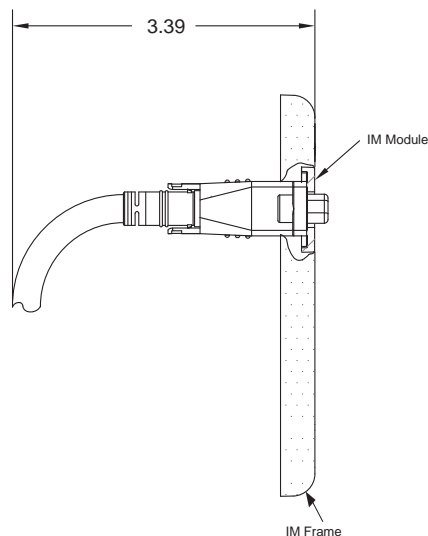
Delivery System

- SystemOne Poke-Throughs and Floor Boxes
- Surface Raceway, Metal and Non-Metallic
- Multi-Connect™ Wall Boxes/Conference Table Boxes
- Power Poles

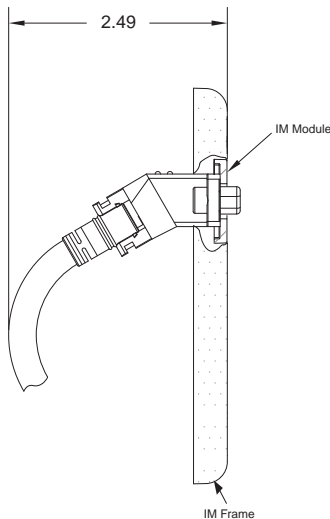


CONNECTOR DEPTH CHART

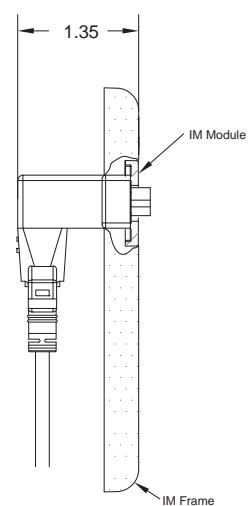
15S6P10



15A6P10

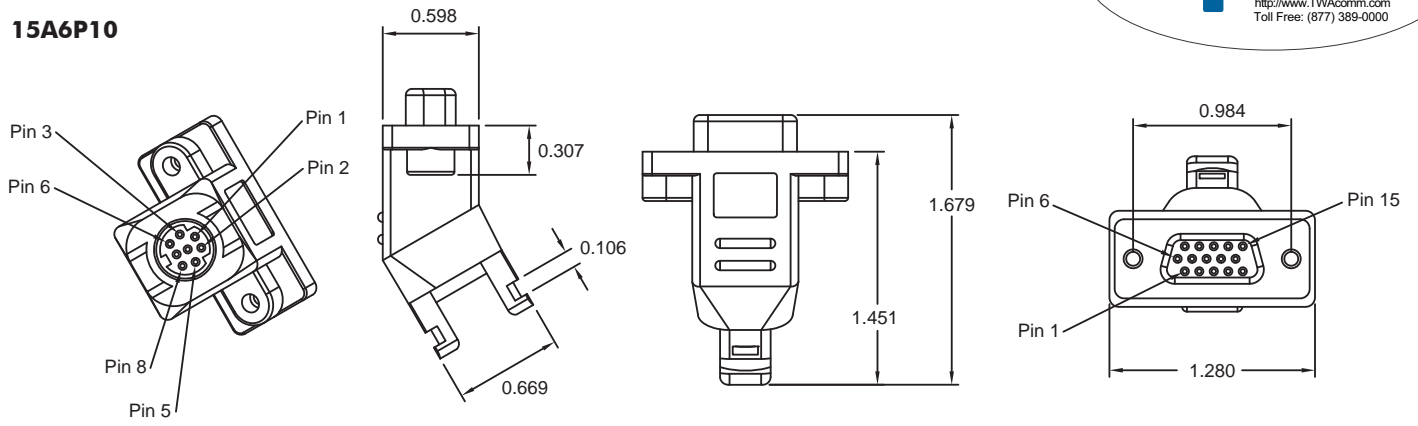


15N6P10

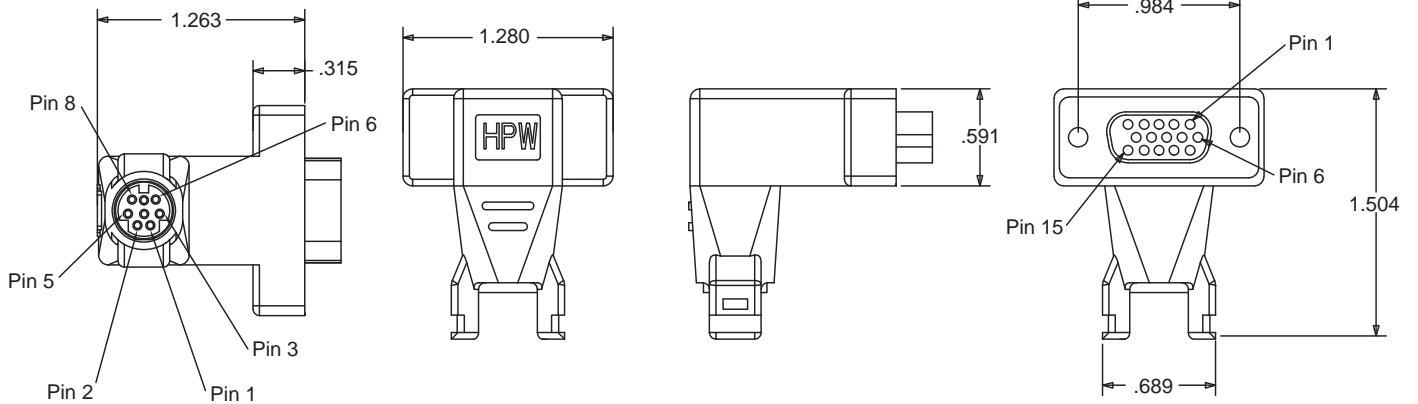


DIMENSIONS

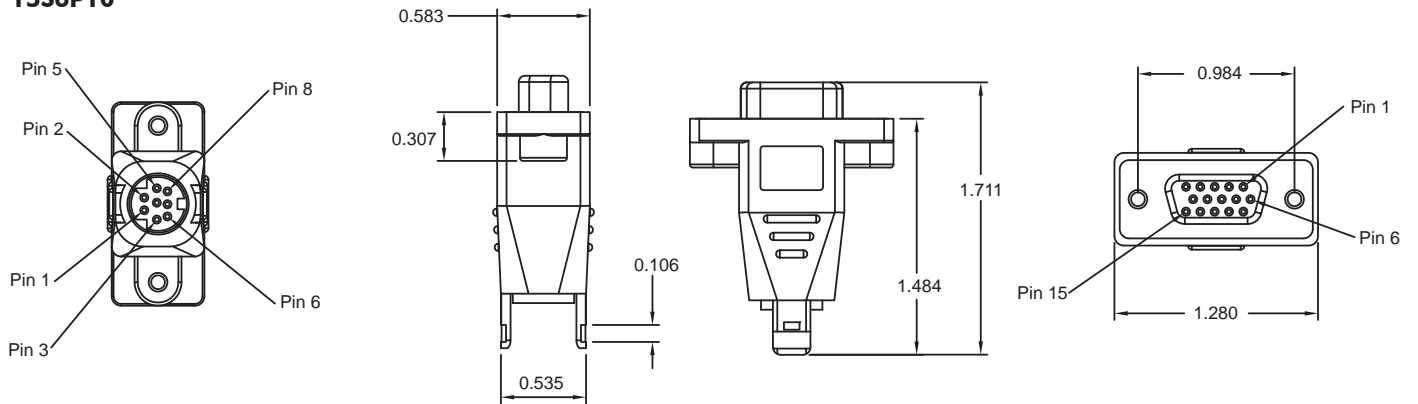
15A6P10



15N6P10

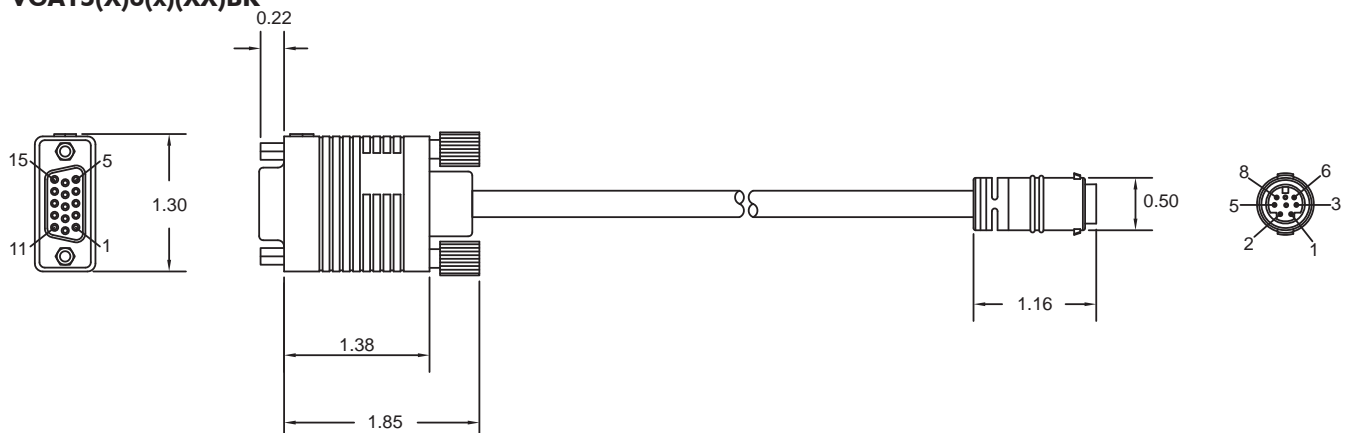


15S6P10



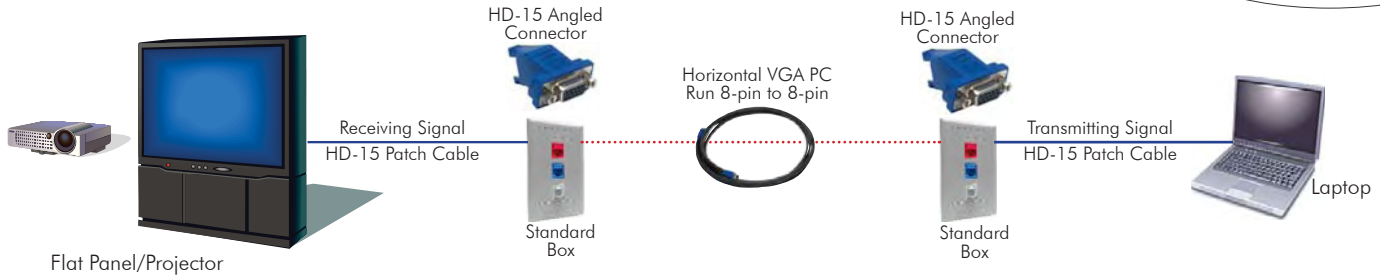
15TP610

VGA15(X)6(x)(XX)BK

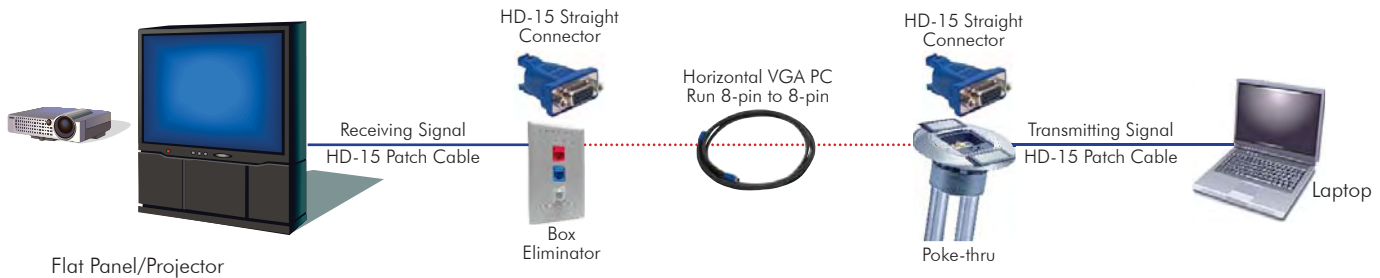


TYPICAL APPLICATIONS

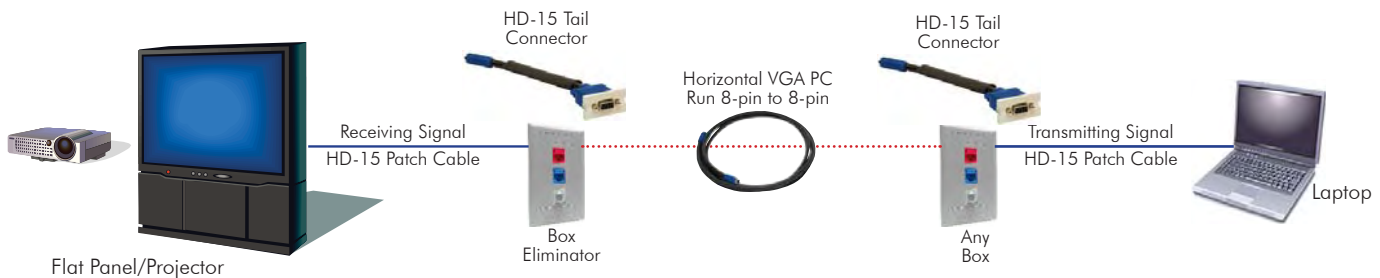
Application 1: Angled can be used when cable constraints (depth issues) are encountered.



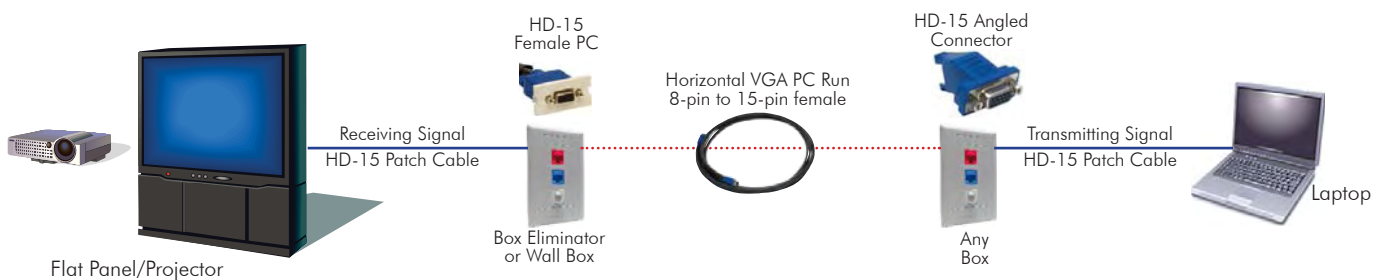
Application 2: Straight can be used with delivery exiting straight out the back (no constraints).



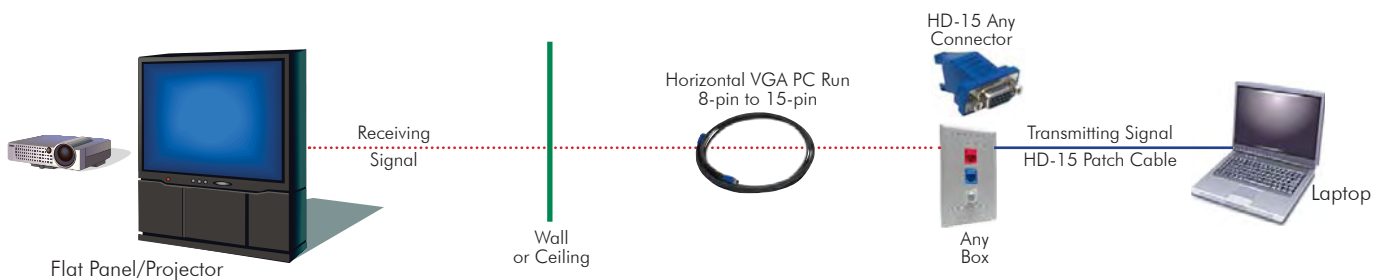
Application 3: Tail can be used with most applications that have extra room behind the plate.



Application 4: 15 female to 8-pin horizontal run can be installed directly into the 1U VGA Module.



Application 5: 15 to 8-pin horizontal runs come directly from the wall/ceiling to connect to the viewing device.



Hubbell Premise Wiring

HUBBELL INCORPORATED (Delaware)

14 Lord's Hill Road • Stonington, CT 06378-0901 • (860) 535-8326 • 800-626-0005

Fax: (860) 535-8328 • Internet site: <http://www.hubbell-premise.com>

Worldwide Locations

Hubbell Premise Wiring, Asia Pacific
 Hubbell Canada Inc.
 Hubbell Premise Wiring, Central America
 Hubbell Premise Wiring, China
 Hubbell Premise Wiring, Europe
 Hubbell Premise Wiring, India
 Hubbell Int'l. Inc., Korea Branch

852-2836-7131
 905-839-1138
 506-309-4158
 86-21-6374 2660
 44-01283 500500
 91-80-4022-4089
 (82 2) 2607 1363

Fax: 852-2836-7132
 Fax: 905-839-9108
 Fax: 506-260-1616
 Fax: 86-21-6374 2799
 Fax: 44-01283 500400
 Fax: 91-80-4022-4033
 Fax: (82 2) 2603 7386

Hubbell Premise Wiring, Latin America
 Hubbell de Mexico, S.A. de C.V.
 Hubbell Premise Wiring, Middle East
 Hubbell Premise Wiring, Puerto Rico
 Hubbell-Taian Co., Ltd., Taiwan
 Hubbell Premise Wiring, Venezuela

305-408-4501
 (5255) 9151-9999
 971-4-393-4192
 787-855-1075
 886-2-2522-1862
 58-212-5156482

Fax: 305-408-8201
 Fax: (5255) 9151-9989
 Fax: 971-4-393-4194
 Fax: 787-855-3265
 Fax: 886-2-2522-1872
 Fax: 58-212-6627258