



DTT-50-Z
– configured for wall mount

DTR-51-Z
– configured for desk top

SRX-50-Z
Supplemental Receiver

DTT-Z & DTR-Z telephones are designed to provide safe, reliable communication in hazardous areas that are prone to high humidity, chemical vapors, dust and physical abuse. The model DTT-Z has a keypad and the DTR-Z is a ringdown version. DTT-Z models can be programmed for speed dialing.

DTT-Z & DTR-Z telephones offer economical Zone I protection.

Guardian
Telecom Inc.

ISO 9001 Today's Quality Creates Our Future

DTT-50-Z/60-Z Hazardous Area Telephones

DTR-51-Z/61-Z Hazardous Area Ringdown Telephones



FEATURES and BENEFITS

- IP66, static dissipative, high impact thermoset industrial housing and handset
- Reversible faceplate for desktop or wall mount configurations
- Audio modes – handset & option of hands-free speaker phone or headset
- Corrosion resistant hardware
- Noise canceling microphone
- Surge arrestor protects the user in the event of a high voltage spike.
- Fuse prevents damage to the electronic circuits in the event of a high voltage spike on the telephone line
- Magnetic reed hook switch to reduce parts subject to wear
- Factory set to tone (DTMF) Operation
- Pulse dialing can be software configured in the field, 60:40 or 66:33
- Removable handset retainer latches on cradle
- Urethane coated water tight silicon keypad on DTT-Z models
- Link, Release, Redial and Flash keys on DTT-Z models
- Hearing-aid compatible (HAC) receiver
- Receiver Volume Control provides user with a 16 dB range
- Ergonomic heavy duty handset
- Heavy duty coil cord on DTT-50-Z and DTR-51-Z or armored cord on DTT-60-Z or DTR-61-Z
- Built in ring detect relay to switch up to 240V @ 5 amps
- DTT-Z models feature a back lit LCD display – 2 line x 16 character: English, French or Spanish
- 20 number memory including 10 quick dial
- Programmable auto hang-up timer
- Two M20 and one M12 access ports
- Field repairable by authorized personnel
- Does not require external power – operates on telephone line power

APPLICATIONS

- Chemical Plants
- Fueling Stations
- Fertilizer Plants
- Missile Silos
- Refineries
- Paint & Varnish Manufacturing Plants
- Mines
- Oil & Gas Metering Facilities
- Munitions Storage Depots
- Breweries and Distilleries
- Tanker and Tanker Depots
- Petrochemical Plants
- Liquefied Natural Gas Terminals
- Sewage Treatment Plants
- Offshore Drilling Rigs
- Bulk Loading Stations
- Land-based Drilling Rigs
- Defense Installations
- Gas Plants
- and more . . .

INSTALLATION and CONNECTABILITY

To provide flexibility and potential for growth, Guardian telephones are easily and economically connected to any telephone network by standard wiring and components. Voice quality is unaffected when phones are connected within 15,000 feet (~ 4,600 meters) of a main telephone switch accepting single line telephones. Meeting safety standards for telephone and ring detect relay wiring may require use of special wiring conduits or other considerations. DTT-Z telephones can be factory set for either tone or pulse operation.

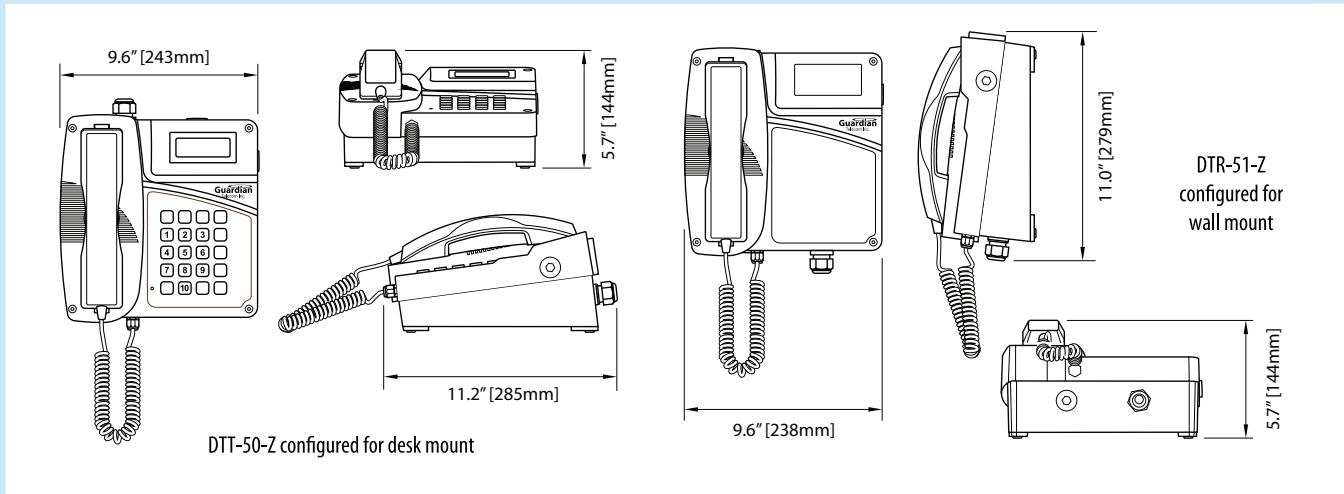
ACCESSORIES and OPTIONS

- SRX-50-2 - supplemental ear piece receiver
- Headset (if there is a zone I available)

* Zone I approvals pending



OVERALL DIMENSIONS



DTT-Z Hazardous Area Telephones • DTR-Z Hazardous Area Ringdown Telephones

ENGINEERING SPECIFICATIONS

ELECTRICAL PERFORMANCE

Audio Range Frequency Response	300 - 3400 Hz
Dialing Method	DTMF or 60:40/66:33 Pulse @10 PPS
Transmit Objective Loudness Rating (TOLR)	Nominal -38.5 +/- 3 dB
Receiver Volume Adjustment*	8 Steps 2 dB/Step
Receiver Objective Loudness Rating (ROLR)	Nominal 50 +/- 3 dB
- receiver volume at maximum	42 +/- 3 dB
- receiver volume at minimum	58 +/- 3 dB
Side Tone Objective Loudness Rating (SOLR)	Nominal 11 +/- 4 dB
- receiver volume at maximum	0 +/- 4 dB
- receiver volume at minimum	10 +/- 4 dB
Memory Dial	} DTT-Z Models Only
Flash	
Redial	20 Numbers Including 10 Quick Dial
Ringer Output	85 dB @ 1M
FCC Ringer Equivalence	0.9 A
Set Impedance	600 Ohms Nominal
Maximum Loop	15Kft (~4,600m) of 22 AWG Wire

ELECTRICAL REQUIREMENTS

Ringer Sensitivity	40 -100 V, 16 - 25 Hz
Line Voltage	24 - 56 VDC
Loop Current	DTT-Z 26 - 100 mA, DTR-Z 20 - 100 mA
Connection Method	Terminal Strip
Fuse - Main Telephone CCT	250 mA - Auto Reset
Ring Detect Relay Contacts (Fused)	5 Amp 240 VAC Fast Blow



MECHANICAL SPECIFICATIONS

Hook Switch (Cradle Switch) Life	>1 000 000 Operations
Body Construction	High Impact Thermoset Compound
Hand Set Construction	High Impact Thermoset Compound
Net Weight	8.6 lbs (3.9 kg)
Shipping Weight	10.5 lbs (4.8 kg)
Shipping Dimensions (L x W x D)	16.0" x 10.5" x 9.5" (407 x 267 x 242 mm)
Mounting	Desk Top or Vertical Wall
Microphone	Noise Canceling
Receiver	Hearing Aid Compatible
Hardware Material	Stainless Steel
Connection Fittings	2 M20 and 1 M12 Gland Entries

ENVIRONMENTAL

Corrosion Resistant	Full Gasket Faceplate
Temperature Range	-30° to +60°C (-22°F to +140°F) *
* The LCD on DTT models may become non-responsive in temperatures under -20°C (-4°F)	
Ingress Protection Rating	IP66
Humidity	0 to 95% RH

COMPLIANCE

ATEX - ZONE 1	CE  II 2 G Ex e ib mb IIC T4 II 2 D Ex tD A21 IP66 T135° C
EC Legislation	ATEX Directive 94/9/EC, RTTE directive 1999/5/EC
EC Harmonized Standards	EN60079-0:2006, EN60079-7:2007, EN60079-11:2007, EN60079-18:2004, EN60950-1:2006 TRL09ATEX21205X and QAN TX091053
EC Certificate No.	
 = Explosion Protected	* Zone I approvals pending

ORDERING INFORMATION

Warranty: One year parts and labor

Order Number	Description
P3020	DTT-50-Z Telephone/Silicon Keypad /Volume Control on Keypad/ Curly Cord
P3021	DTT-60-Z Telephone/Silicon Keypad/Volume Control on Keypad/ Armored Cord
P3022	DTR-51-Z Ringdown Telephone/Volume Control on Handset/Curly Cord
P3023	DTR-61-Z Ringdown Telephone/Volume Control on Handset/Armored Cord

Options

SRX-50-2	Supplementary Receiver
LC	Extended handset cords (up to 20ft/6.1m)

Headset

Custom colors are available for non-zone 1 applications. Minimum quantities or premiums may apply. For details on custom options, contact a Guardian Telecom sales representative.

Distributed by:



Guardian pursues a policy of continuous improvement, therefore specifications are subject to change without notice.

Guardian
Telecom Inc.

 Today's Quality Creates Our Future

7552 - 10th Street N.E., Calgary, Alberta, Canada T2E 8W1
Telephone: 403 258-3100 Facsimile: 403 253-4967
1-800-363-8010 (North America)
info@guardiantelecom.com
www.guardiantelecom.com