

HIGHLIGHTS

- Eight (8) channel technology
- Microprocessor based
- Immediate start up time
- High reliability
- In case of loss of signal, a temperature controlled time base is implemented allowing calibration of the time during variants in temperature
- Synchronized to UTC within 500 nanoseconds
- Interfaces directly with Valcom analog and digital clock systems
- Capable of working as a master for Valcom digital systems and can be interfaced with a V-VCU for a two (2) wire digital communication system
- Operation of auxiliary circuit for once-a-day relay closure with precise second resolution
- Field programmable via two (2) switches
- Two (2) levels of programming for technicians and end users
- Ten (10) year battery backup for timekeeping
- One (1) programmable signal duration per circuit (1—99 seconds), allowing the user to interface with other systems
- Diagnostic mode allows the user to maintain and troubleshoot the clock system from the master clock
- LED Display
- Valcom digital inputs and outputs
- 19" rack mountable — 3U
- UL, cUL listed and FCC approved
- Made in the U.S.A.

DESCRIPTION

The V-GPS is a highly accurate, microprocessor based multi-functional clock controller. The V-GPS is equipped with a programmable auxiliary relay that can be programmed anywhere from 1—99 seconds. In case the signal is not present, the seconds will flash to indicate there is no signal. The V-GPS will then utilize a temperature controlled time base allowing calibration of the time base during variants of temperature. The V-GPS is easily programmable via two (2) switches. The V-GPS incorporates diagnostic testing of the V-GPS. The V-GPS also has a Valcom digital output utilized for interfacing with other Valcom products. The V-GPS can be powered with 110 volts AC / 60 Hz or 220 volts AC / 50 Hz. It shall be FCC approved.

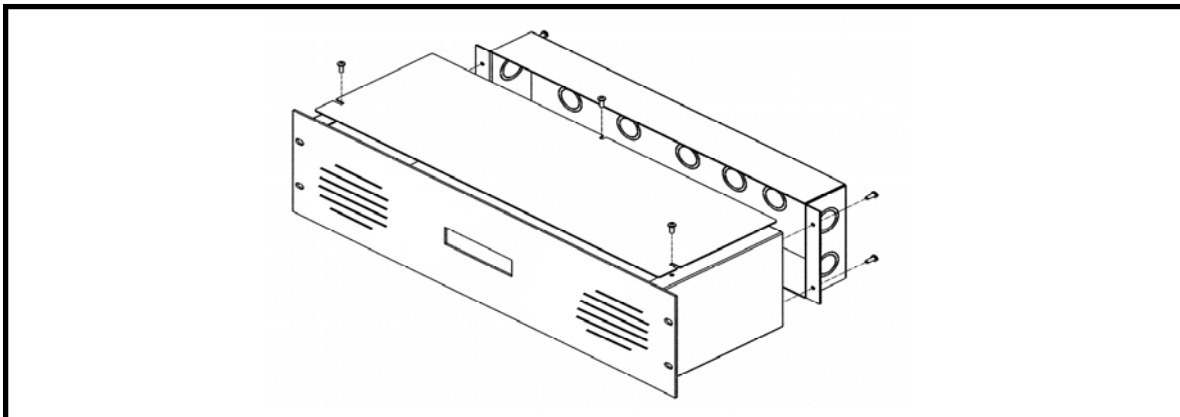
SPECIFICATIONS

- Time base: Crystal
- Frequency aging: 5 ppm/year
- Frequency stability: 5 ppm/year
- Voltage input: 85 - 265 VAC, 50/60 Hz
- Power input: 35 watts
- Display: Seven (7) segment LED display
- Color: Standard black
- Housing: Smooth surface, rack mount metal case
- Programmable operation: Via two (2) switches
- Temperature range:
 - Operating: 0°C - 45°C
 - Shelf: -15° - 75°C
- Output relay closure
 - Duration: 1 - 99 seconds
 - Programmable time: HH : MM : SS format
 - Contact Rating: 8 amps, 0 - 220 volts
- Signal Outputs: Valcom digital
- Antenna: Thread mount bullet on 3/4" conduit
- Antenna dimensions: Diameter: 3.04" Height: 2.94"
- Mounting: Rack mount
- Standby time keeping: Ten (10) years
- Housing dimensions: (HxWxD) 5.25" x 19" x 6.25"
- Shipping Weight: Rack - 9 lbs.
- Shipping Box dimensions: (HxWxD) 11.75" x 23.75" x 10.75"
- Includes:
 - 1 - 6 foot power cord
 - 1 - dome antenna
 - 1 - 75 foot RG-59 cable
- Compliance: UL, cUL listed and FCC Approved

ARCHITECTURAL AND ENGINEERING SPECIFICATIONS

The receiver shall be a Valcom V-GPS Receiver. The receiver shall have a programmable auxiliary relay that can be programmed anywhere from 1— 99 seconds. In case the signal is lost, the seconds will flash to indicate there is no signal. The receiver shall then utilize a temperature controlled time base allowing calibration of the time base during variants of temperature. The receiver shall be programmable via two (2) switches. The receiver shall have diagnostic capabilities that will allow the user to perform a comprehensive test of the receiver. The receiver shall have a Valcom digital output for integration with Valcom products. The voltage input shall be 110 volts AC/60 Hz or 220 volts AC/50 Hz. The receiver shall be FCC approved.

MECHANICAL DRAWING



ORDERING INFORMATION:

V-GPS

