



GAI-TRONICS® CORPORATION  
A HUBBELL COMPANY

# Model 701-902 SmartSeries Handset/Speaker Amplifier

## General Information

This data sheet applies to the Model 701-902 SmartSeries Handset/Speaker Amplifier, which is designed to provide an intelligent handset for use in a standard GAI-Tronics Page/Party® system or an ADVANCE system. It supports one-way page announcements over system speakers, serves as an amplifier to broadcast page announcements over the station's speaker, and supports party-line (two-way) communication with other system users.

It can also serve as a control interface to optional devices such as the party line End-of-Line Module or the SmartSeries station Remote Terminal Unit when installed into a SmartSeries RTU enclosure.

## Specifications

### Electrical

Supply voltage.....90 to 140 V ac (120 V ac nominal), 50/60 Hz  
Power consumed @ nominal ac.....Zero/maximum signal (12 watts): 15 VA, 9 watts/59 VA, 32 watts

### Speaker Amplifier

Output..... 12 watts minimum, with nominal supply voltage  
Frequency response .....350 to 6,500 Hz, +0/-3 dB, ref. to 1 kHz  
Distortion ..... 1% maximum THD @ 1 kHz, 12 watts

### SmartVolume™

Monitor range (low gain).....62 to 100 dB SPL  
Offset (above ambient) User Level Adjustment..... 0 to 48 dB  
Minimum User Level Adjustment..... Off; 85 to 125 dB SPL

### Handset Amplifier

Output..... 1.5 V<sub>RMS</sub> nominal into 33-ohm load  
Frequency response with 5 mV<sub>RMS</sub> input (AGC on).....350 to 6,500 Hz, +0/-3 dB ref. to 1 kHz  
Distortion ..... 1.5% maximum THD @ 1 kHz

### Mechanical

Dimensions ..... 8.12 H × 8.12 W × 6.12 D inches (206 × 206 × 155 mm), overall

### Environmental

Temperature range.....-22 °F to +158 °F (-30 °C to +70 °C), operating and storage  
Humidity ..... 95%, non-condensing

Approvals

NRTL Listed for USA and Canada ..... Class I, Div. 2, Groups A, B, C, D;  
when used with listed GAI-Tronics Model 702 and 703 Series Enclosures

Class I, Div. 2, Groups A, B, C, D;  
Class II, Div. 2, Groups F, G; Class III, Div. 2  
when used with listed GAI-Tronics Model 732, 733, 7325, and 7335 Series Enclosures

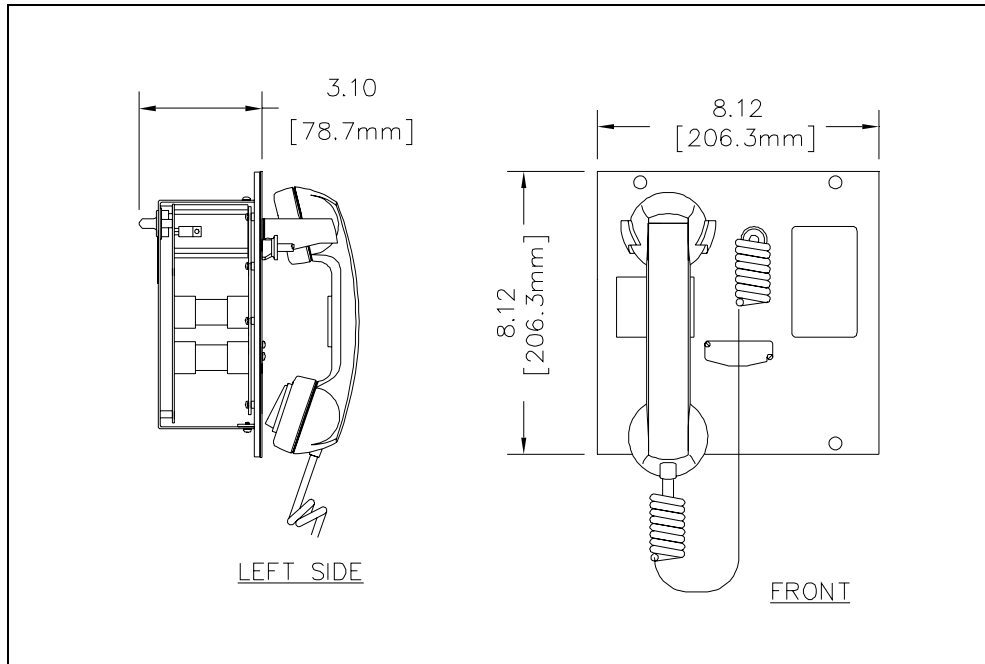


Figure 1. Model 701-902 SmartSeries Handset/Speaker Amplifier Outline

