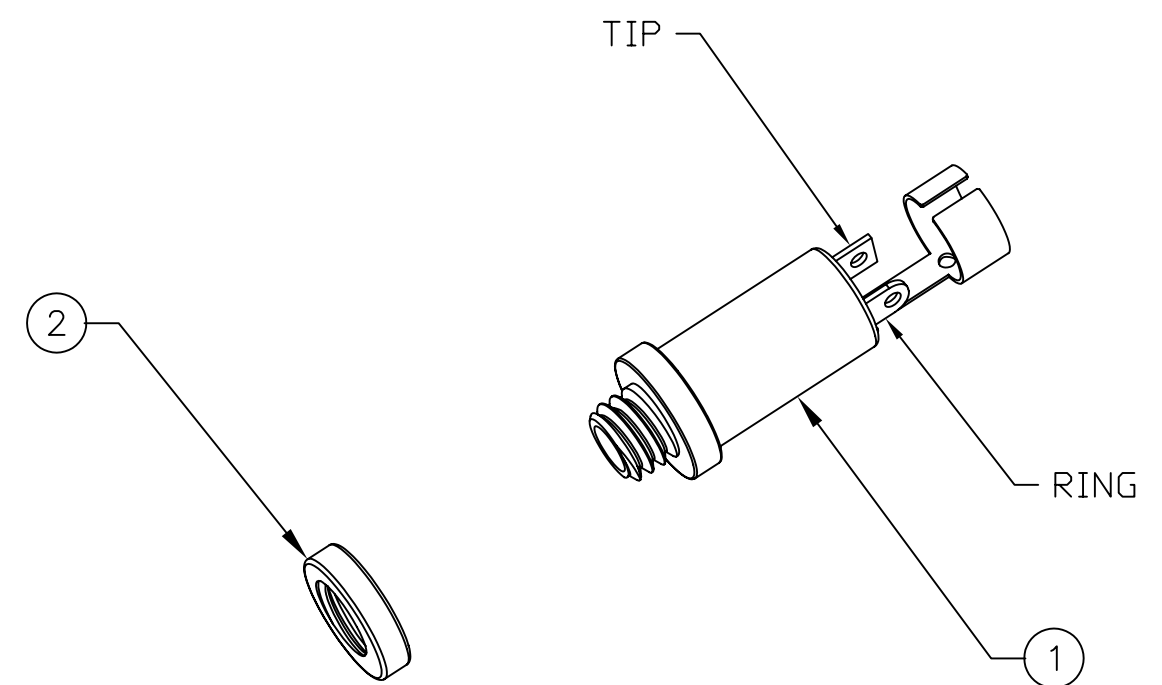
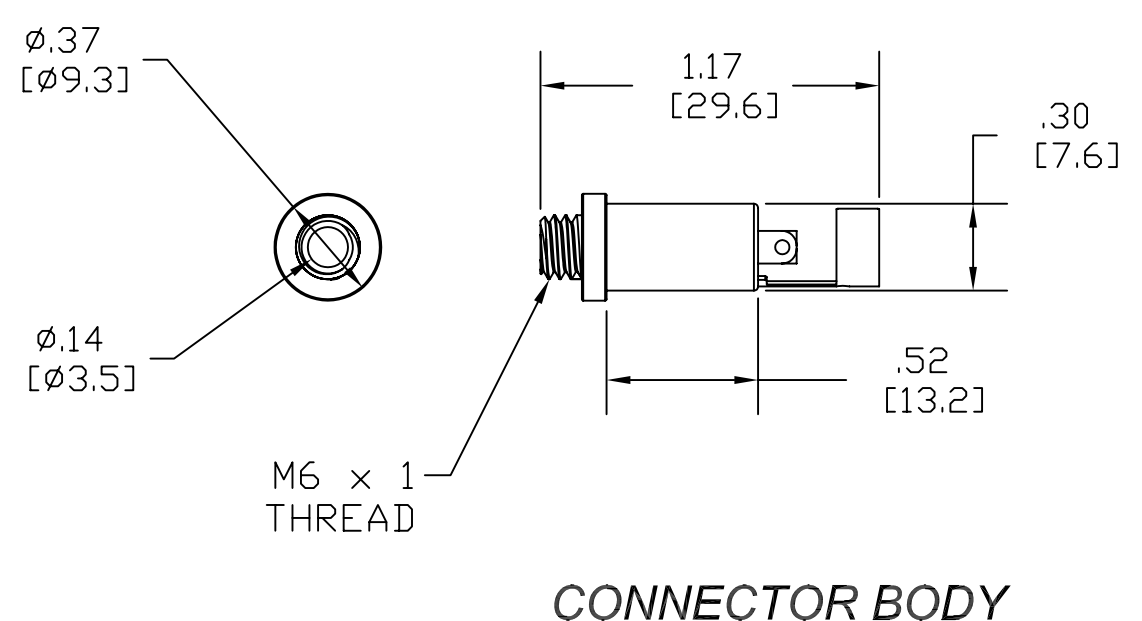
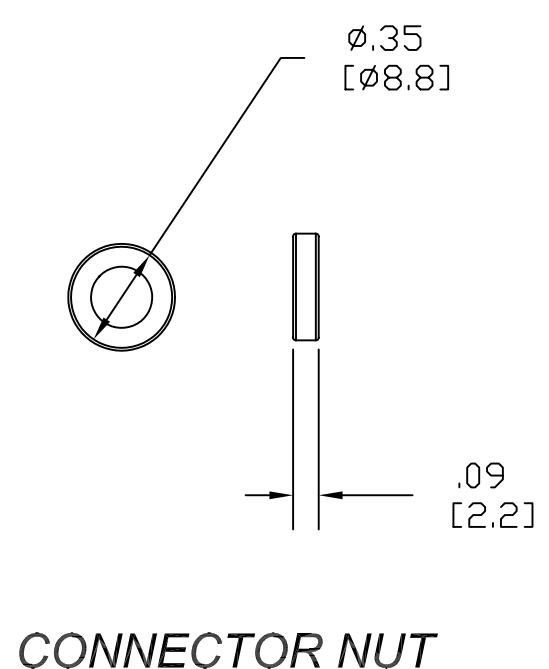


ITEM NO.	DESCRIPTION	QTY.
1	3.5MM STEREO JACK, SOLDER TERM	1
2	NUT, PANEL MOUNT, M6 X1	1


CATALOG NUMBER	DESCRIPTION
35S10	3.5MM STEREO JACK, PANEL MOUNT, SOLDER TERM, 10PK
35SJ100	3.5MM STEREO JACK, PANEL MOUNT, SOLDER TERM, 100PK



- NOTES:
- CONNECTOR MOUNTS TO AN INFINESTATION PLATE WITH INCLUDED NUT.
  - MATERIALS: NICKEL PLATED BRASS AND ABS.
  - SOLDER LUGS: NICKEL PLATED BRONZE, FLASHED WITH GOLD.
  - FOR USE WITH AUDIO/VIDEO DEVICES SUCH AS HOME THEATER AND ENTERTAINMENT SYSTEMS.
  - CONNECTOR SOLD IN PACKS OF 10 OR IN PACKS OF 100.
  - SPECIFICATIONS SUBJECT TO CHANGE WITHOUT NOTICE.



REV.	ECN	DATE	DESCRIPTION	CHG BY	APPD BY
A	6130	6/19/07	INITIAL RELEASE	CD	

Created on AUTOCAD	DIMENSIONING AND TOLERANCE PER ANSI Y14.5M-1982 UNLESS OTHERWISE SPECIFIED, DIMENSIONS ARE IN INCHES (MM). TOLERANCES .XX = ±.01 (.25) .XXX = ±.005 (.127) .XXXX = ±.0025 (.0635) ANGLE TOL ±1°		PROJECT REFERENCE: <b>026-07</b>		 <b>Hubbell Premise Wiring</b> HUBBELL INCORPORATED (Delaware) 14 Lord's Hill Road, Stonington, Connecticut 06378
	IN ACCEPTING OUR DRAWINGS, BLUEPRINTS, OR SUPPORTING DOCUMENTATION FOR QUOTATION OR OTHER PURPOSES, YOU AGREE NOT TO DISCLOSE TO OTHERS THE IDEAS, INFORMATION, OR DESIGNS SHOWN HEREIN, AND THAT YOU WILL MAKE NO USE OF SAME WITHOUT PERMISSION		MATERIAL:  SEE NOTES		
			DRAWN BY: C. DUSSAULT 6/19/07		TITLE: A/V CONNECTOR 3.5MM STEREO JACK SOLDER TERM, PANEL MOUNT
			CHECKED BY:		SIZE: <b>C</b> DRAWING NO.: <b>C11899</b> REV.: <b>A</b>
		APPROVED BY:		SCALE: 2:1    SHEET 1 OF 1	