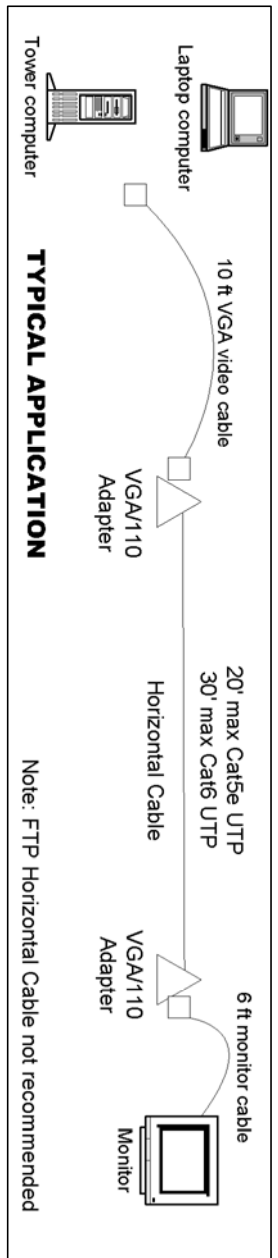
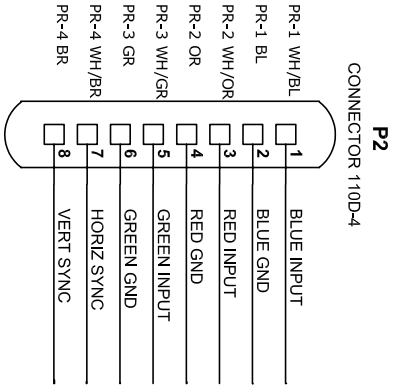
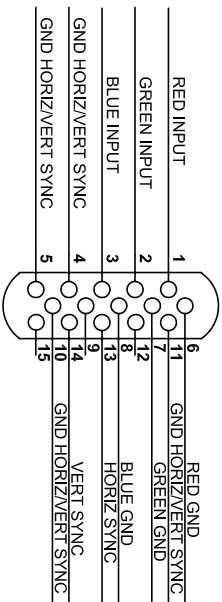
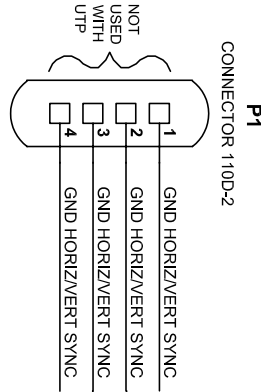
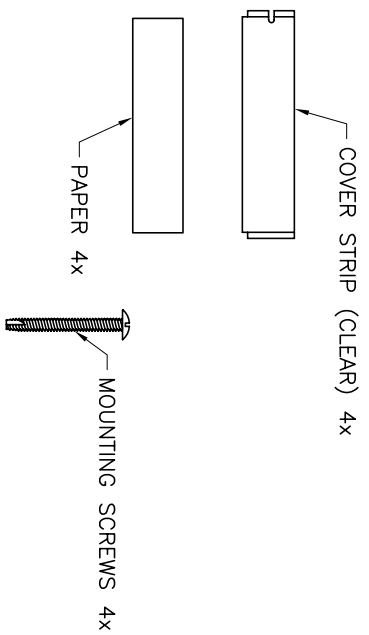


PART NO.	COLOR
OR-KSFP8V110	FOG WHITE
OR-KSFP8V110-13	ELEC IVORY



\*\*\* NOTICE \*\*\*

THIS DOCUMENT CONTAINS CONFIDENTIAL AND/OR PROPRIETARY INFORMATION. INTENDED FOR USE ONLY BY THE INDIVIDUAL(S) SPECIFIED HEREIN AND ONLY FOR THE PURPOSE(S) PROVIDED. NEITHER THIS DOCUMENT, NOR ANY INFORMATION CONTAINED HEREIN, MAY BE COPIED, DISTRIBUTED, DISCLOSED TO ANY THIRD PARTY OR USED IN ANY MANNER OTHER THAN FOR WHICH IT HAS BEEN PROVIDED, WITHOUT THE PRIOR WRITTEN CONSENT OF ORTRONICS, INC.

DWN BY:	C. COLLELO
CHK BY:	S. LEVESQUE
APP BY:	M. MARTICH
DATE:	02/22/06
DATE:	02/24/06
DATE:	02/24/06

TITLE	FP, TechChoice, KEYSTONE, 8 HOLE, 2/VGA 110		
SIZE	CAD FILE	PART NUMBER	REV
A	KSFP8V110XXC	OR-KSFP8V110-XX	02
SCALE	NONE	REL DATE	08/25/06
SHEET	1 OF 1		