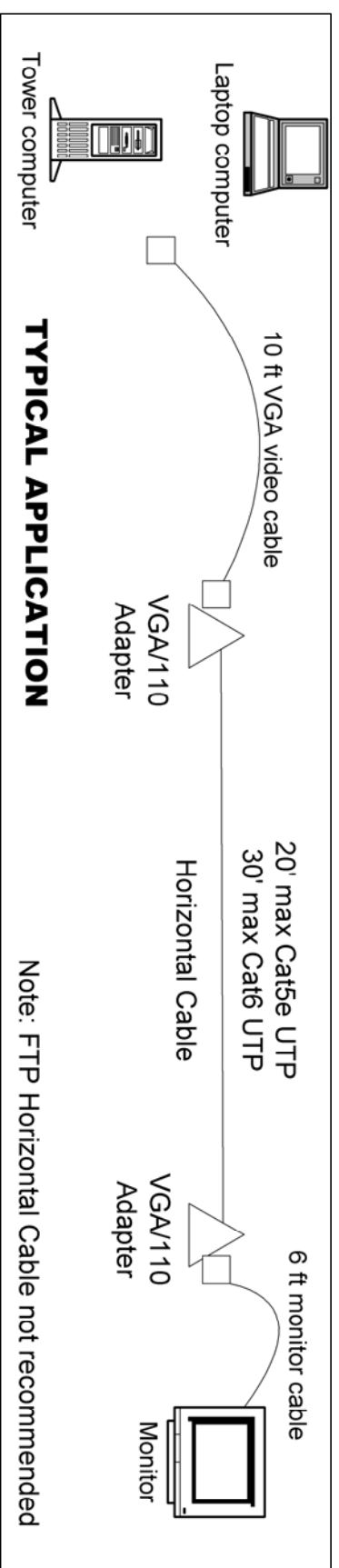
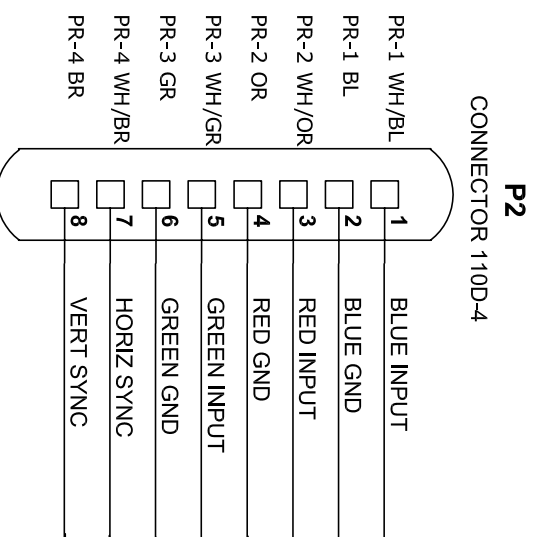
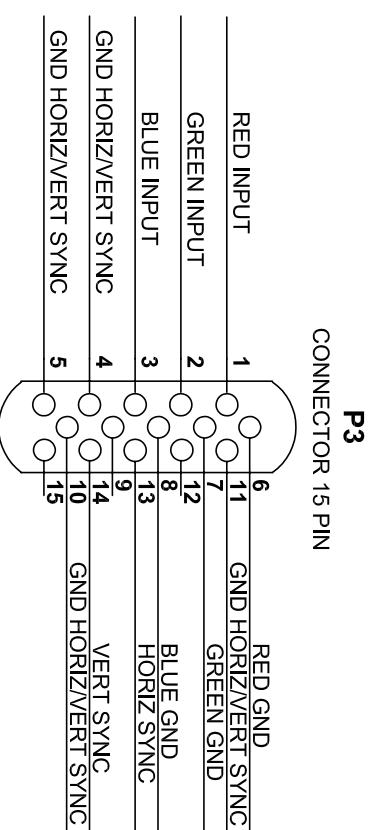
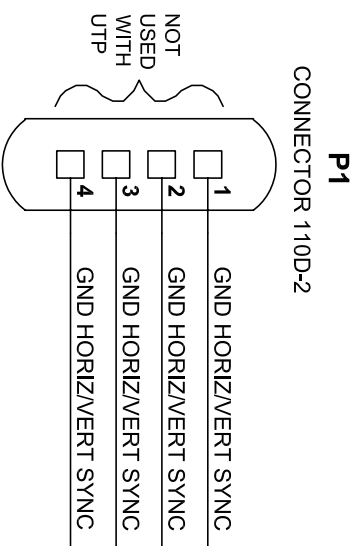
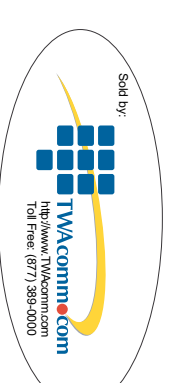


PART NO.	COLOR
OR-KSFP4V110	FOG WHITE
OR-KSFP4V110-13	ELEC IVORY



**TYPICAL APPLICATION**

Note: FTP Horizontal Cable not recommended



\*\*\* NOTICE \*\*\*

THIS DOCUMENT CONTAINS CONFIDENTIAL AND/OR PROPRIETARY INFORMATION INTENDED FOR USE ONLY BY THE INDIVIDUAL(S) SPECIFIED HEREIN AND ONLY FOR THE PURPOSE(S) PROVIDED. NEITHER THIS DOCUMENT, NOR ANY INFORMATION CONTAINED HEREIN, MAY BE COPIED, DISTRIBUTED, DISCLOSED TO ANY THIRD PARTY OR USED IN ANY MANNER OTHER THAN FOR WHICH IT HAS BEEN PROVIDED, WITHOUT THE PRIOR WRITTEN CONSENT OF ORTRONICS, INC.



NEW LONDON, CT 06320  
(860) 445-3800

DWN.BY: C. COLLELO	DATE: 02/22/06
CHK.BY: S. LEVESQUE	DATE: 02/24/06
APP.BY: M. MARTICH	DATE: 02/24/06

TITLE

FP, TechChoice, KEYSTONE, 4 HOLE, VGA 110  
SG, CVR, PAPER, TAB, SCREW, KIT

SIZE: A	CAD FILE: KSFP4V110XXC	PART NUMBER: OR-KSFP4V110-XX	REV: 02
SCALE: NONE	REL DATE: 08/25/06	SHEET: 1 OF 1	