

For High Output Lamps — Recessed Double Contact, Pedestal Type

DESCRIPTION	CAT. NO. PLUNGER	CAT. NO. FIXED	RATING
Screw Mount, Straight-in wiring Through Wireways or Screw Terminals*	464	465	660W 600V
Slide-on, Shallow Base, Quickwire Terminals*	13550	13551	660W 600V
Slide-on, Shallow Base for Power Groove and Jacketed Lamps, Quickwire Terminals*	13556	13557	660W 600V

For Slimline, Single Pin Lamps

DESCRIPTION	CAT. NO. PLUNGER	CAT. NO. FIXED	RATING
Butt-On Surface Mounting, 12" Leads	452	453	660W 1000V 660W 600V
Pedestal Base, Slide-On	466	467	660W 1000V 660W 600V
Shallow Base, Slide-On or Lock-On Mounting, Quickwire Terminals*	2536	2537	660W 1000V 660W 600V

For Medium Bi-Pin Lamps

DESCRIPTION	CAT. NO. WHITE	RATING
Thin Body, Quickwire Terminals Accommodate Rapid-Start Circuits	431-W	660W 600V
Pedestal type, Straight-in Wiring Through Wireways or Screw Terminals	390-1W	660W 600V
Same as above, with Starter Base	391-1W	660W 600V



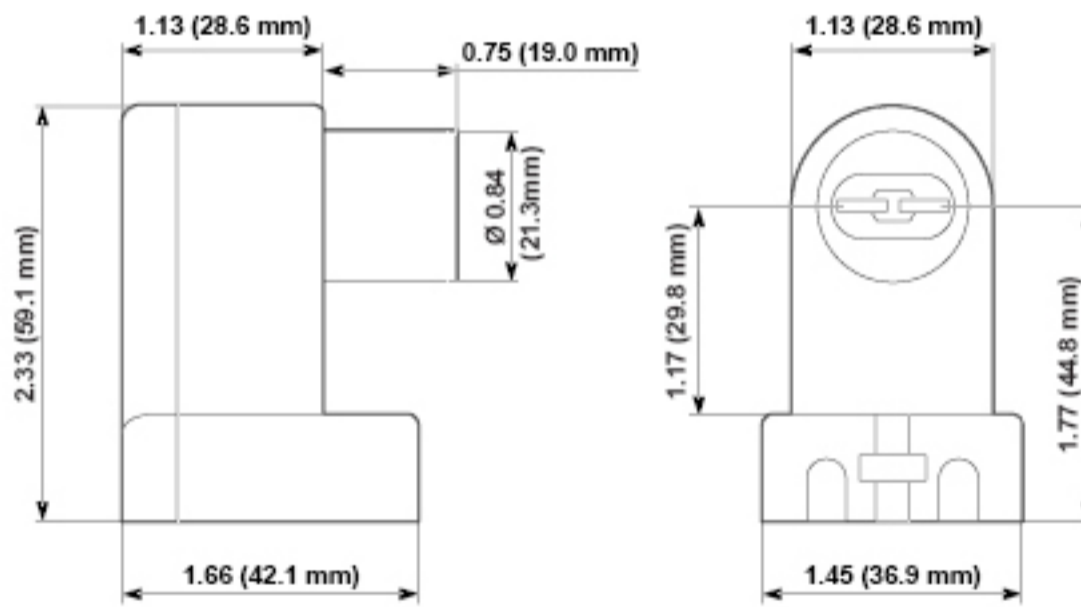
Starter Bases

For Medium Bi-Pin Lamps

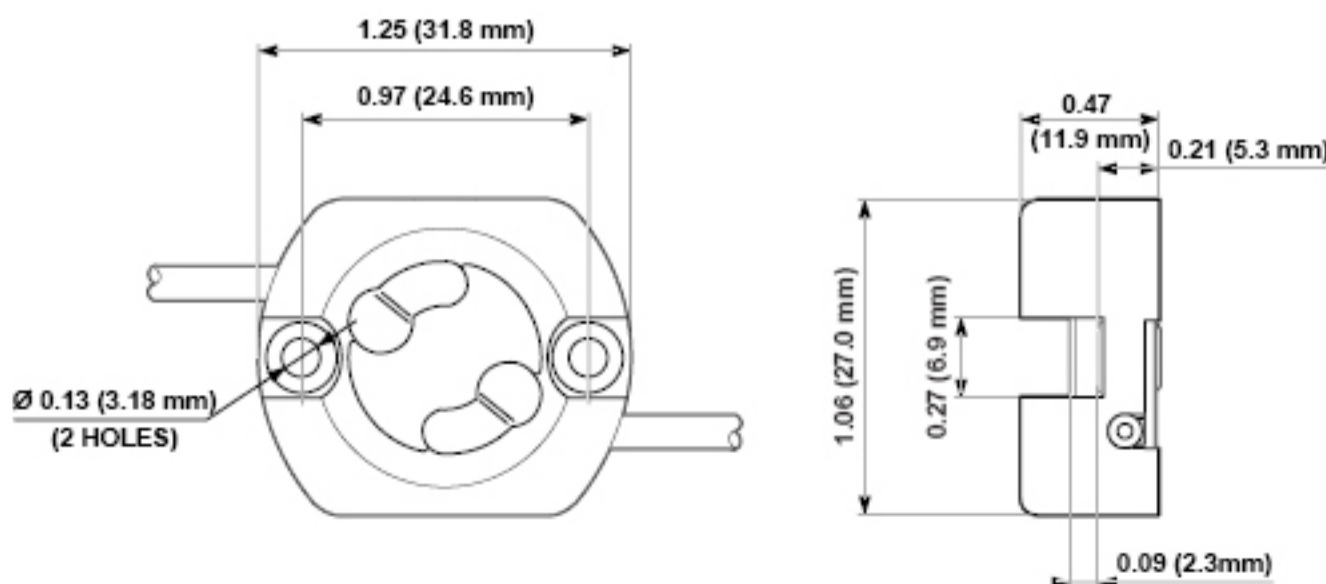
DESCRIPTION	CAT. NO.	RATING
Starter Base; Screw Terminals, Black	380	660W 250V
Starter Base; with Leads, Black	396	660W 250V

All devices are UL Listed and CSA Certified.

*Suitable for outdoor applications when properly enclosed



Cat No. 464



Cat No. 396

SPECIFICATIONS & FEATURES

- Silver-plated copper alloy contacts
- Quickwire terminals accept No. 18 AWG twisted and tinned, solder-dipped or solid leads
- Lampholders are white, starter bases are black

TESTING & CODE COMPLIANCE

- UL Listed (File #E-5833)
- CSA Certified (File #LR-1863; LR-5863; LR-2200)
- NOM Certified (#057)