



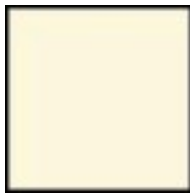
ACSSR-LA

Description

15 Amp, 125 Volt, NEMA 5-15R, 2P, 3W, Acenti Duplex Receptacle, Straight Blade, Residential Grade, Self Grounding, Surge w/ Indicator Light & Audible Alarm, Back & Side Wired, Nickel-Plated Steel Strap, - Natural

Product Features

Color: Natural



NEMA: 5-15R



Grounding: Self Grounding

Feature: Surge

Amperage: 15 Amp

Voltage: 125 Volt

NEMA: 5-15R

Pole: 2

Wire: 3

Termination: Back & Side

Face Material: Engineering Grade Polymer

Body Material: Nylon

Strap Material: Nickel-Plated Steel

Color: Natural

Standards and Certifications: UL/CSA

Warranty: 5 Year Limited

Joules Rating: 720

Max Surge Current L-N: 24kA

Noise Rejection: -30dB at 500kHz-30MHz

Diagnostics: Indicator Light & Audible Alarm

Available Colors: W-Albstr E-Onyx G-Slate D-Drftwd S-Sand Q-Quartz

Features and Benefits

- Protects sensitive electronic equipment against transient voltage surges
- Provides excellent 3-Level, point-of-use surge protection for phase to neutral, phase to ground and neutral to ground
- Audible Alarm sounds if protection is lost
- Soothing blue Monitor/Indicator LED provides surge protection status at a glance
- Efficient construction with consistent form factor
- Innovative contoured geometry offers an exclusive aesthetic design
- Flawless multigang installation with no dividers or frame between devices
- All visible surfaces molded from engineering-grade polymer for uniformity and flawless color match
- Subtle, matte finish complements fine decor
- Large Triple-wipe, brass contacts for superior contact and conductivity
- Nickel-plated steel mounting strap
- Back and Side wiring options accept #14-#10 AWG stranded or solid wire
- UL 1449 clamping level 400Vpk CSA C22.2 No. 42
- Premium Grade with Five-Year Limited Warranty

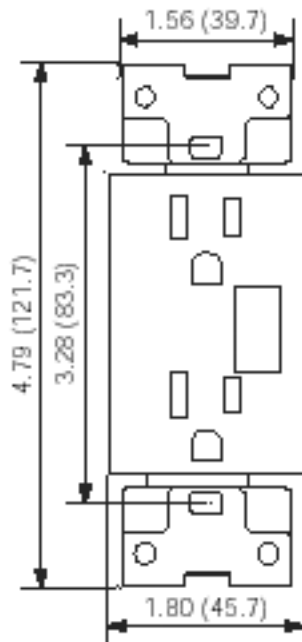


AC Horsepower Ratings	
At Rated Voltage	1/2 HP
Environmental Specifications	
Flammability	Rated V-2 per UL94
Operating Temperature	-40C to 60C
Mechanical Specifications	
Terminal ID	Brass-Hot, Green-Ground, White-Neutral
Terminal Accom.	14-10 AWG
Product ID	Ratings are permanently marked on device
Standards and Certifications	
NEMA	WD-1 & WD-6
ANSI	WD-6
UL 498	File E13399
UL1449 Std. 2nd Edition	File E146315
CSA C22.2 No. 42	File 152105
NOM	057

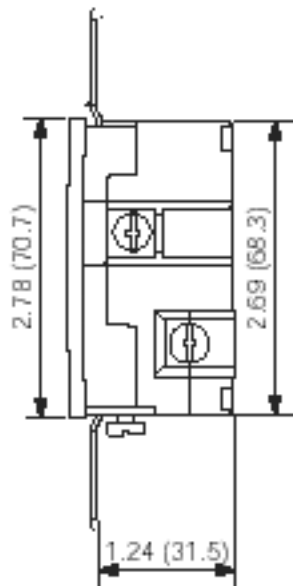
Electrical Specifications	
Dielectric Voltage	Withstands 2000V per UL498
Current Limiting	Full Rated Current
Temperature Rise	Max 30C after 250 cycles OL at 200 percent rated current

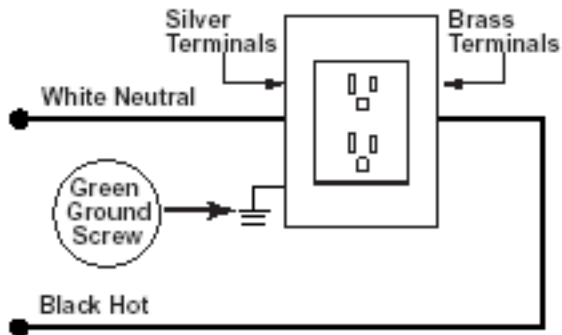
Material Specifications	
Face Material	Engineering Grade Polymer
Body Material	Nylon
Line Contacts	Brass Triple-Wipe .031 Thick
Terminal Screws	Brass 10-32
Grounding Screw	Brass 8-32
Strap Material	Nickel-Plated Steel .050 Thick
Clamps	Zinc-Plated Steel
Ground Clips	Brass
Available Colors	W-Albstr E-Onyx G-Slate D-Drftwd S-Sand Q-Quartz

Performance Data	
MCOV	150V rms
Joules Rating	720
Max Surge Current L-N	24kA
Noise Rejection	-30dB at 500kHz-30MHz
UL1449 Impulse 6kV/500A L-N	400V
Diagnostics	Indicator Light & Audible Alarm

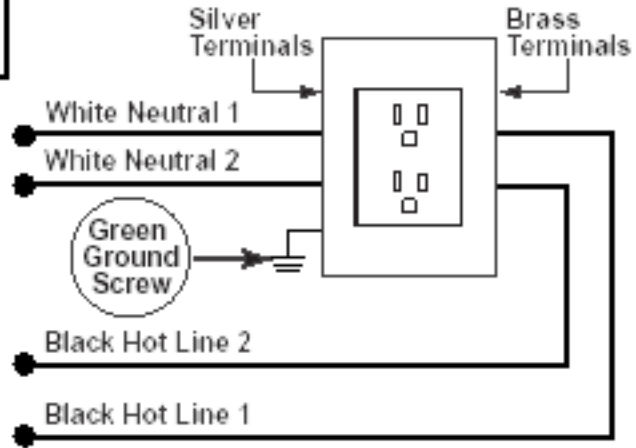


ACSSR





AC215, AC220, Alternate Wiring —
Terminal Break-Off Fins removed



SPECIFICATION SUBMITTAL

JOB NAME: <input type="text"/>	CATALOG NUMBERS: <input type="text"/>	
JOB NUMBER: <input type="text"/>	<input type="text"/>	<input type="text"/>

Leviton Manufacturing Co., Inc.

59-25 Little Neck Parkway, Little Neck, NY 11362-2591
 Telephone: 1-800-323-8920 · FAX: 1-800-832-9538 · Tech Line (8:30AM-7:30PM E.S.T. Monday-Friday): 1-800-824-3005

Leviton Manufacturing of Canada, Ltd.

165 Hymus Boulevard, Pointe Claire, Quebec H9R 1E9 · Telephone: 1-800-469-7890 · FAX: 1-800-824-3005

Leviton S. de R.L. de C.V.

Lago Tana 43, Mexico DF, Mexico CP 11290 · Tel.: (+52)55-5082-1040 · FAX: (+52)5386-1797 · www.leviton.com.mx



Visit our Website at: www.leviton.com

©2007 Leviton Manufacturing Co., Inc. All rights reserved. Subject to change without notice.

