

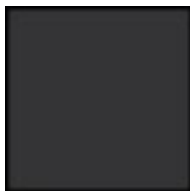
CS8269

Description

50Amp, 250V AC, Non-NEMA, 2P, 3W, Black & White Locking Flush Mount Receptacle, Industrial Grade, Grounding, California-Style(CS) – BLACK



Color: Black



Configuration:



Product Features

Grounding: Grounding
 Amperage: 50 Amp
 Voltage: 250 Volt
 NEMA: Non-NEMA
 Pole: 2
 Wire: 3
 Termination: Back Wire
 Terminals: Copper Box Terminal
 Wire Gauge: 10-6 AWG
 Contacts: Solid Brass
 Face Module: Reinforced Nylon
 Body & Contract Carrier: Reinforced Nylon
 Center Pin: SS 302/304
 Shroud: Nickel Plated Steel
 Mounting Strap: SS 302/304
 Color: Black
 Standards and Certifications: UL/CSA/NOM
 Warranty: Lifetime Limited

Features and Benefits

- Single piece, stainless steel mounting strap with integral ground contact for continuous conductivity and secure ground path
- Metal shroud makes for reliable and durable connection to shrouded plugs
- Reinforced nylon face, body, and back for heat and impact resistance
- Molded-in strip gauge makes for fast, accurate wire stripping
- Deep wire wells make larger diameter cable easier to wire
- Copper box terminal with hex head set screw allows for high clamping pressure without damaging strands
- Ratings and catalogue numbers molded into face module makes for fast, easy identification or replacement



Electrical Specifications	
Dielectric Voltage Withstand	2000V minimum per UL 498
Maximum Working Voltage	250V as rated
Current Interrupting	Certified for current interrupting at full rated current
Temperature Rise	Max 30°C temp rise at full-rated current after 150 cycles of OL at 150% rated DC current

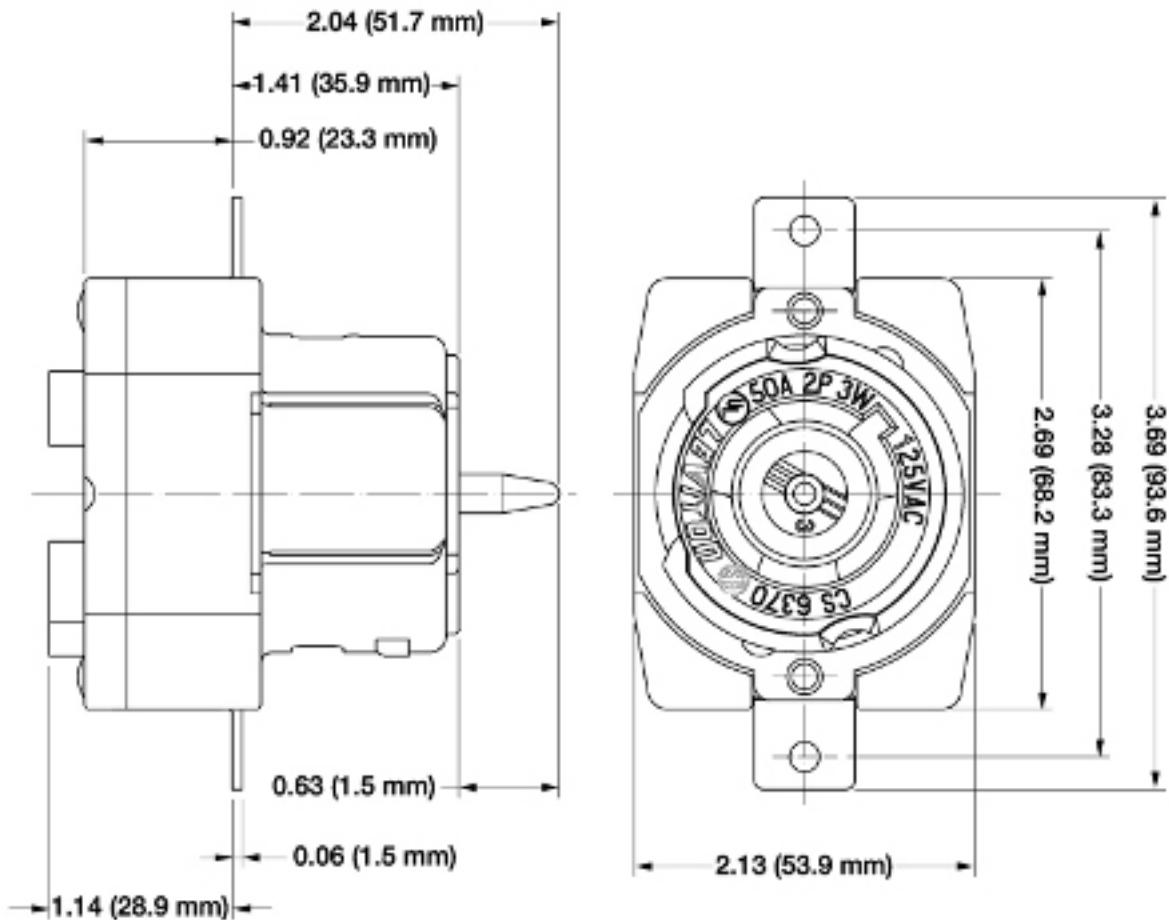
Material Specifications	
Face Module	Reinforced Nylon
Body & Contract Carrier	Reinforced Nylon
Center Pin	SS 302/304
Shroud	.062inch thick Nickel Plated Steel
Back Cover	Reinforced Nylon
Mounting Strap	Single piece SS 302/304
Mounting Screws	SS 302/304
Assembly Rivets	SS 302/304
Connector Contact - Spring	0.041inch thick Brass
Connector Contact - Binding Plate	0.100inch thick Brass
Contact Rivet	Brass
Box Terminal	0.062inch thick Copper
Terminal Set Screw	SS 302/304

Standards and Certifications	
UL 498	File E13399
CSA C22.2 No. 42	File 152105
NOM	057
RoHS	Compliant

Environmental Specifications	
Flammability	UL 94V-0
Operating Temperature	-40deg.C to 75deg.C(-40deg.F to 167deg.F)

Mechanical Specifications	
Terminal ID	X, W, Y, and Green for ground
Terminal Accom.	#10min to #6max AWG Solid or Stranded Wire (Stranded Wire for Ground only)
Product ID	Ratings and Catalogue No. molded into face





SPECIFICATION SUBMITTAL

JOB NAME: <input type="text"/>	CATALOG NUMBERS: <input type="text"/>	
JOB NUMBER: <input type="text"/>	<input type="text"/>	<input type="text"/>

Leviton Manufacturing Co., Inc.

59-25 Little Neck Parkway, Little Neck, NY 11362-2591
 Telephone: 1-800-323-8920 · FAX: 1-800-832-9538 · Tech Line (8:30AM-7:30PM E.S.T. Monday-Friday): 1-800-824-3005

Leviton Manufacturing of Canada, Ltd.

165 Hymus Boulevard, Pointe Claire, Quebec H9R 1E9 · Telephone: 1-800-469-7890 · FAX: 1-800-824-3005

Leviton S. de R.L. de C.V.

Lago Tana 43, Mexico DF, Mexico CP 11290 · Tel.: (+52)55-5082-1040 · FAX: (+52)5386-1797 · www.leviton.com.mx



Visit our Website at: www.leviton.com

©2007 Leviton Manufacturing Co., Inc. All rights reserved. Subject to change without notice.

