

# 13151-LU

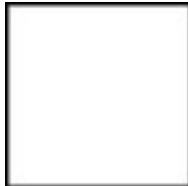


**Description**

Medium Base, Bi-Pin, Standard Fluorescent Lampholder, Low Profile, Slide-On, Straight-In Double Edge, Self-Locking Lamplock, Quick-Connect 18AWG Solid or Str. Tinned - White

**Product Features**

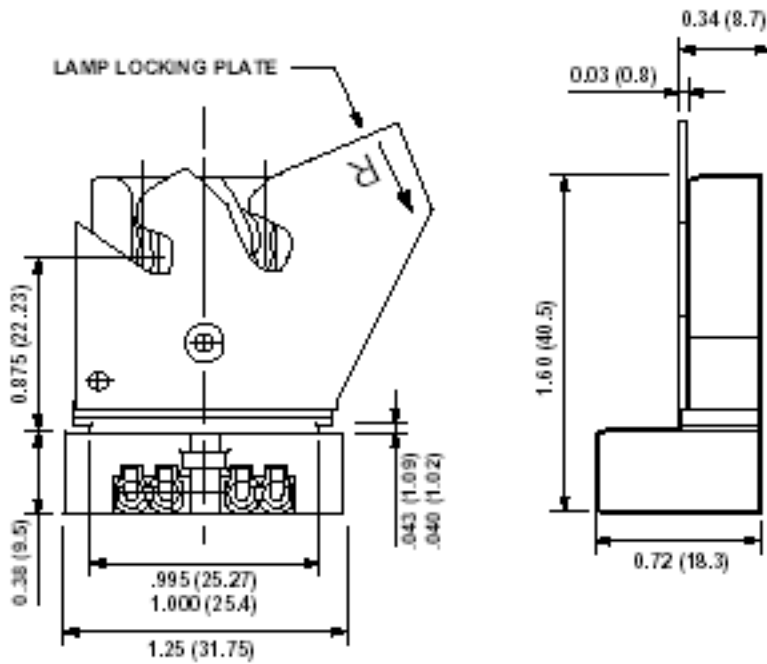
**Color:** White



- Lamp Base: Medium
- Lamp Contacts: Bi-Pin
- Style Name: Low Profile
- Mounting Type: Slide-On
- Panel Thickness: 20 Ga. Panel
- Contact Type: Straight-In Double Edge
- Termination: Quick-Connect 18AWG Solid or Str. Tinned
- Feature: Self-Locking Lamplock
- Rated Wattage: 660W
- Color: White
- Standards and Certifications: UL/NOM
- Warranty: 1 Year Limited
- Availability: Distribution

| Electrical Specifications |  |
|---------------------------|--|
| Voltage                   | 600 Volt                                 |
| Rated Wattage             | 660W                                     |
| Mechanical Specifications |  |
| Mounting Type             | Slide-On                                 |
| Panel Thickness           | 20 Ga. Panel                             |
| Contact Type              | Straight-In Double Edge                  |
| Termination               | Quick-Connect 18AWG Solid or Str. Tinned |
| Wire Strip Length         | 3/8 Inch                                 |

| Material Specifications      |                    |
|------------------------------|--------------------|
| Body Material                | Thermosetting Urea |
| Contact Material             | Copper-Alloy       |
| Color                        | White              |
| Availability                 | Distribution       |
| Standards and Certifications |                    |
| UL Listed                    | File E5833         |
| NOM Certified                | 057                |



**SPECIFICATION SUBMITTAL**

|                                     |  |                      |
|-------------------------------------|--|----------------------|
| JOB NAME:<br><input type="text"/>   | CATALOG NUMBERS:<br><input type="text"/> |                      |
| JOB NUMBER:<br><input type="text"/> | <input type="text"/>                     | <input type="text"/> |

**Leviton Manufacturing Co., Inc.**

59-25 Little Neck Parkway, Little Neck, NY 11362-2591  
 Telephone: 1-800-323-8920 · FAX: 1-800-832-9538 · Tech Line (8:30AM-7:30PM E.S.T. Monday-Friday): 1-800-824-3005

**Leviton Manufacturing of Canada, Ltd.**

165 Hymus Boulevard, Pointe Claire, Quebec H9R 1E9 · Telephone: 1-800-469-7890 · FAX: 1-800-824-3005

**Leviton S. de R.L. de C.V.**

Lago Tana 43, Mexico DF, Mexico CP 11290 · Tel.: (+52)55-5082-1040 · FAX: (+52)5386-1797 · [www.leviton.com.mx](http://www.leviton.com.mx)



**Visit our Website at: [www.leviton.com](http://www.leviton.com)**

©2007 Leviton Manufacturing Co., Inc. All rights reserved. Subject to change without notice.

