

Provide Night Bell Over your Existing Paging Amplifier



The **K-600D** eliminates the installation of multiple bells, relays and power supplies, whenever night bells, loud ringing or emergency tones are required. The **K-600D** provides an existing paging amplifier with a pleasant electronic warble tone each time it receives ring voltage from an analog PABX/KSU extension.

The **K-600D** requires no external power supply and provides a floating 600 ohm audio output. Auxiliary N.O./N.C. relay contacts are provided in cadence with the ring signal for muting, switching or operation of external signaling devices. Volume and tone controls are also provided.

<http://www.VikingElectronics.com>

E-mail...Sales@VikingElectronics.

Features

- Provides tone over existing paging amplifiers
- Auxiliary relay contacts provided
- Connects directly to ringing analog PABX/KSU stations
- Floating 600 ohm output

Sales...(715) 386 - 8861

Made in the U.S.A.

Applications

- Night bell over paging
- Loud ringing over paging
- Contact closure on ringing

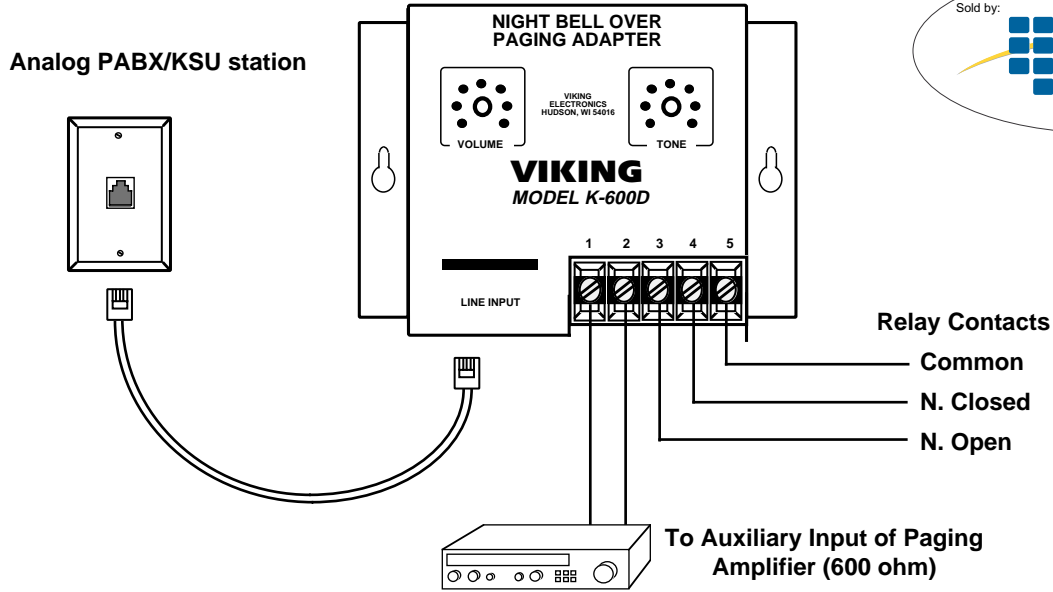


Specifications

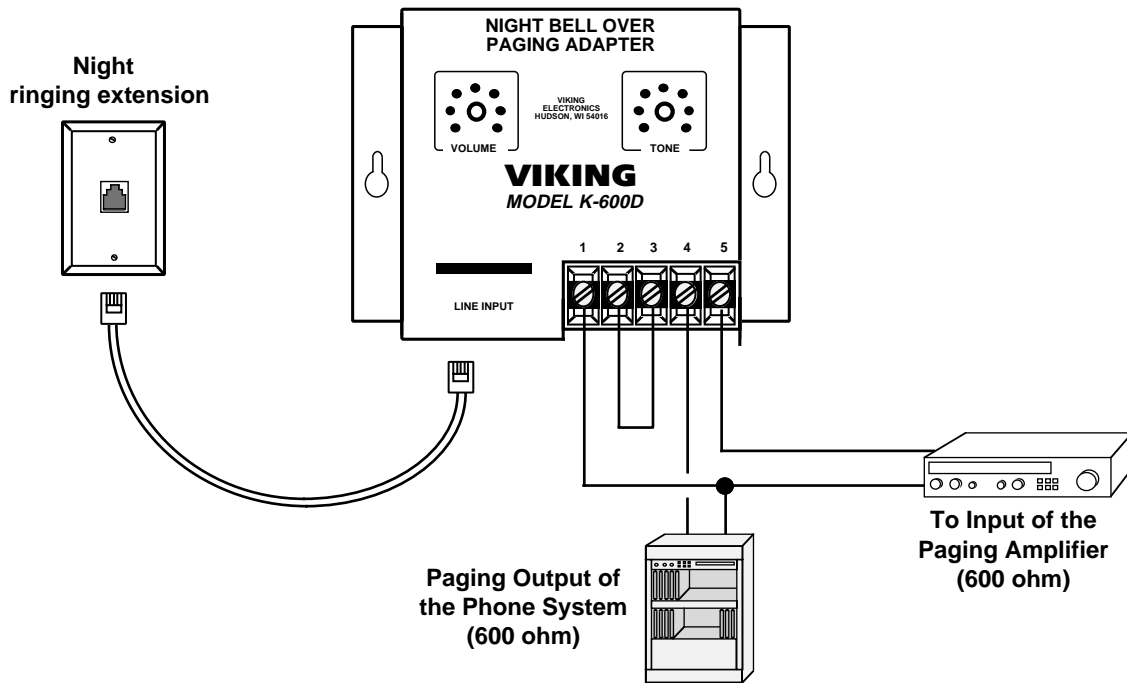
Ring Voltage: 60V AC minimum, 15Hz - 70Hz
Dimensions: 133mm x 89mm x 44mm (5.25" x 3.5" x 1.75")
Shipping Weight: 1.36 kg (3 lbs.)
Environmental: 0°C to 32°C (32°F to 90°F) with 5% to 95% non-condensing humidity
Output: Floating 600 ohm , less than .5 VPP
Connections: (1) RJ11 jack and 5 position screw terminal strip
Maximum Cable Run: 15.24m (50 ft)
Relay Contact Ratings: .5A @ 125V AC/1A @ 30V DC

Installation

A. Standard Installation



B. Sharing the Paging Amplifier Input with a Phone System Output



Operation

Upon detecting standard AC ring voltage on the **LINE INPUT** jack, the **K-600D** will produce a 600 ohm warble tone in cadence with the ring signal. In addition, the normally open contacts will close and the normally closed contact will open.

Product Support Line...(715) 386-8666

Fax Back Line...(715) 386-4345

Due to the dynamic nature of the product design, the information contained in this document is subject to change without notice. Viking Electronics, its affiliates and/or subsidiaries assume no responsibility for errors and/or omissions contained in this information. Revisions of this document or new editions of it may be issued to incorporate such changes.