

High Resolution Indoor/Outdoor Color Camera System Specification Bulletin

VSIND-05C, VSOUT-00W,
VSHUB-000

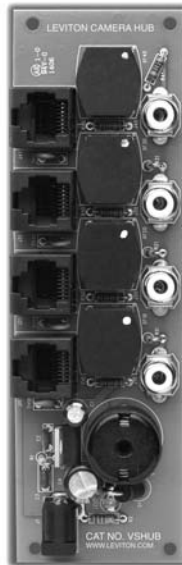
High Resolution Indoor/Outdoor Color Camera System



**Indoor Camera
VSIND-05C**



**Tinted Decora
Window Lens Cover**
(Wallplate not included)



**Camera Hub
VSHUB-000**



**Outdoor Camera
VSOUT-00W**

Professional quality Indoor and Outdoor Cameras offering quick mounting and easy installation with a single Cat 5e cable for both video and power

APPLICATIONS

The **Leviton Indoor/Outdoor Color Monitoring Camera System** provides high-quality color video output that will run through a Leviton Structured Media Center (SMC) and connect to a video monitor anywhere in the home—offering the entire family a degree of security and safety not attainable with non-video sensors. Look in on the baby in the crib, the toddlers in the playroom, the children in the backyard, and know who is ringing the doorbell after dark—all on any TV in the home. With the IP/Quad module from Leviton, all of this capability also is possible from any remote location using a PC and Internet browser.

System installation is simplified with innovative indoor and outdoor analog composite video cameras that rely on one unshielded twisted pair (UTP) cable (Cat 5, 5e or 6) for both video and power connections. Cables connect to a compact

Camera Hub that occupies a single bracket in the Leviton Structured Media Center (SMC). Camera mounting is also simplified, requiring just two screws on a low voltage ring (Indoor Camera) or outdoor electrical box (Outdoor Camera). Standard 110 IDC terminations and 8P8C jacks make the job of connecting UTP cabling simple, quick and reliable.

Video baluns are included in both the Indoor and Outdoor cameras and the Camera Hub to ensure clear video over unshielded twisted pair (UTP) cable. The cameras also include 15 VDC input terminals for a separate power cable in situations where the cable run exceeds the 328 feet (100 meters) limit. This feature enables local powering for applications like entrance gate cameras that are at a long distance from the home.



Leviton Mfg. Co., Inc.
59-25 Little Neck Pkwy • Little Neck, NY 11362-2591 • Tech Line: 1-800-824-3005 • Fax: 1-800-832-9538

Visit our Website at: www.leviton.com



High Resolution Indoor/Outdoor Color Camera System

High Resolution Indoor/Outdoor Color Camera System

**VSIND-0SC, VSOUT-00W,
VSHUB-000**
.....

Camera Hub

The Camera Hub includes power circuitry to regulate and raise the voltage of its SMC standard 12 VDC input up to 15 VDC before sending it over the Cat 5e UTP cabling to the cameras. The Camera Hub provides power over 3 pairs of UTP conductors to minimize resistance loss in the cable. A regulator circuit in either the Indoor or Outdoor camera reduces the voltage back to 12 VDC to power the camera engine.

Indoor Camera

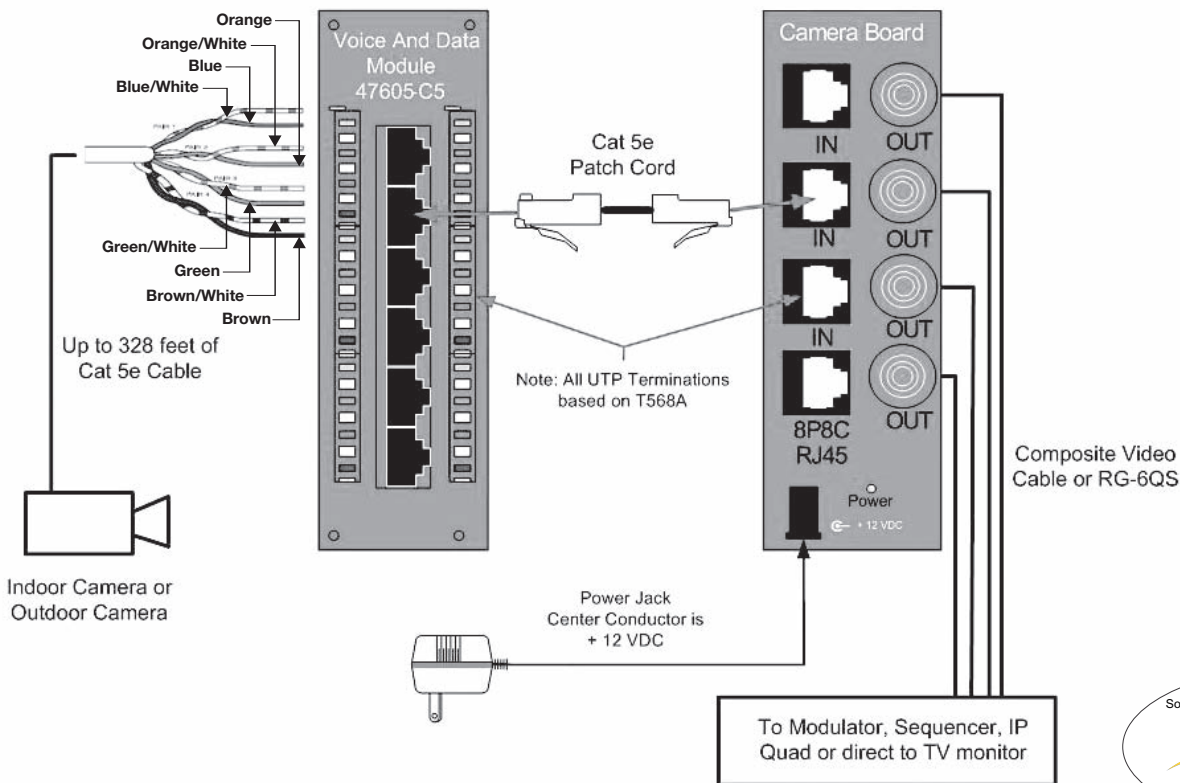
The Indoor Camera comes complete with mounting strap and circuit board, including a balun for clear video over unshielded twisted pair (UTP) cable. The camera also includes 15 VDC input power terminals for a separate power cable in situations where the cable run exceeds the 100 meter limit. Connection is made via punch-down of UTP cabling directly to a 110 punch-down strip on the camera or by way of a Cat 5e Jack on the end of a cable run using a CAT 5e UTP patch cable.

The camera's viewing angle is adjusted via a flexible internal mounting strap. The clear or smoked-translucent inserts that snap onto the mounting strap to hide the camera fit into a standard Decora wallplate (available separately), allowing the installation to blend with other electrical and low-voltage devices on a wall.

Outdoor Camera

The Outdoor camera provides night vision with IR illuminating LEDs, which turn on automatically in low light conditions to provide black and white video images even in zero Lux conditions. The camera comes fully assembled attached to a special single-gang wallplate/circuit board that includes a balun for clear video over unshielded twisted pair (UTP) cable. The camera also includes power terminals for local power input in situations where the cable run exceeds the 100-meter limit. Connection is made via punch-down of UTP cabling directly to a 110 punch-down strip on the camera or by connection of a Cat 5e patch cord between the camera and a Cat 5e jack at the end of a UTP cable run.

The camera mounts using two screws attaching the special single-gang wallplate to a single-gang outdoor-rated junction box. The camera's viewing angle is adjusted via a ball-joint mounting strut that allows 360° rotation and up to +/- 90° tilt. The mounting strut also allows the camera to be turned upside-down for right-side-up viewing when mounted on a ceiling or soffit.



Camera Block Diagram



High Resolution Indoor/Outdoor Color Camera System

**VSIND-05C, VSOUT-00W,
VSHUB-000**

.....

FEATURES AND BENEFITS

Camera Hub

- Mounts on a single-width standard plastic bracket (Cat. No. 47612-SBK) not supplied
- Includes a balun for each of four cameras interfacing with one pair of each of the Cat 5e drops to provide a balanced video signal from the camera to an unbalanced composite video (RCA) connector
- Includes four composite video connectors that can be connected to a Leviton IP/Quad Module, a Video Sequencer Module, or to Video Modulators
- Includes four 8P8C modular jacks to patch to camera Cat 5e drops terminated on a Leviton Voice and Data Module
- Includes one 2.1 mm 12 VDC power input jack
- Provides a green power LED indicating presence of 12 VDC input power
- Includes power circuitry to regulate and raise the voltage of the 12 VDC input to 15 VDC before sending it over the Cat 5e UTP cabling to the cameras. The powering scheme ensures correct camera power to any combination of up to four Indoor or Outdoor Cameras over four Cat 5e drops of up to 100 meters (328 feet) in length each
- Includes 12 VDC 1.5 A power supply
- Includes 4 each 3 foot RCA–RCA composite video cables

Indoor Camera

- High resolution, full-color camera with 420 lines
- 3.6 mm lens, the optimum focal length for the widest variety of indoor applications
- Low light performance down to 0.5 lux
- Integral Decora mounting strap for quick connection in a deep single gang box or mud ring
- Uses customer supplied Decora trim plate in any color
- Includes choice of clear window with black felt mask or tinted Decora window to hide interior camera and electronics
- Decora strap and window design supports manual pan and tilt capability
 - o +/- 30 degrees pan
 - o +/- 30 degrees tilt
- Single UTP (Cat-5, -5e or -6) cable termination for both video signal and power connection
- Use either 110 D4 or 8P8C to terminate UTP cable
- T568A wiring termination scheme
- Powering scheme with SMC-mounted Camera board ensures camera power over 24 gauge Cat 5e to 100 meters (328 feet)
- Additional 2 conductor screw terminals (Phoenix connector) for separate input power termination when required
- Green power LED on termination board indicates presence of power

Outdoor Camera

- High resolution, full color camera with 420 lines
- 4.3 mm lens, the optimum focal length for the widest variety of applications
- IR illumination to 30+ feet (10+ meters) provides black and white image in zero Lux conditions
- Integral single-gang NEMA-style weatherized plate with gasket for quick, simple outdoor mounting to an outdoor-rated, single-gang junction box with two screws
- Manual pan and tilt adjustments allow +/- 180° maximum pan and +/- 90 °maximum tilt
- Camera and wallplate assembly are white
- All surfaces accept paint to match house trim
- Single UTP (Cat-5, -5e or -6) cable termination for both video signal and power connection provides a major advantage over two cable systems
- Choice of either 110 D4 or 8P8C to terminate UTP cable at the camera
- T568A wiring termination scheme
- Powering scheme with SMC-mounted Camera board ensures camera power over 24 gauge Cat 5e UTP cable to 100 meters (328 feet)
- Additional 2-conductor screw terminals (Phoenix connector) for local power termination when required; useful when mounting the camera at entrance gates far from the house
- Green power LED on termination board indicated presence of power
- Includes 15 VDC 250 mA power supply



Leviton Mfg. Co., Inc.
59-25 Little Neck Pkwy • Little Neck, NY 11362-2591 • Tech Line: 1-800-824-3005 • Fax: 1-800-832-9538

3 Visit our Website at: www.leviton.com



High Resolution Indoor/Outdoor Color Camera System

**VSIND-05C, VSOUT-00W,
VSHUB-000**



SPECIFICATIONS

Camera Hub

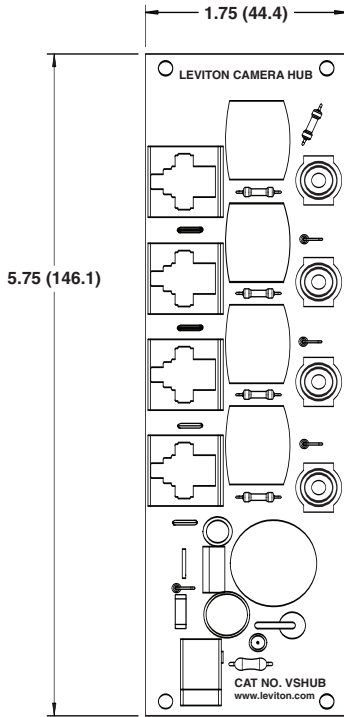
Camera Inputs	RJ-45 Jack, 4 each
Camera Outputs	Composite Video, 4 each
Operation Temperature Range	-0°C to +60°C
Storage Temperature Range	-10°C to +60°C
Humidity	Non-condensing, 5% to 95%
Input Power Connection	Center positive 2.1 mm jack
Input Voltage	12 VDC (+/- 10%)
Input Current	1.5 A (max)
Output Voltage to Cameras	15 VDC (+/- 10%)
Output Current (max)	1.2 A, supports 4 Outdoor Cameras operating at night (0 Lux).
Plug-in Power Supply	
Input Voltage	120 VAC +/- 15%
Plug-in Power Supply	
Output Voltage	+12 VDC +/- 5%
Plug-in Power Supply	
Output Current	1500 mA minimum
Power Consumption (maximum)	18 Watts (max)
Dimensions	5.75 (146.1) H x 1.75 (44.4) W x 0.86 (21.8) D
Weight	3.25 oz. (92 g)

	Indoor Camera	Outdoor Camera
Standard	NTSC	NTSC
Image Sensor	1/3" Color Sony CCD	1/3" Color Sony CCD
Total Pixel Number	510 x 492	510 x 492
H. Sync. Frequency	15.734 KHz	15.734 KHz
V. Sync. Frequency	59.94 Hz	59.94 Hz
Synchronization System	Internal	Internal
Horizontal Resolution	420 Lines	420 Lines
Electronic Shutter	Auto: 1/60 – 1/100,000 sec	Auto: 1/60 – 1/100,000 sec
Gain Control	Automatic	Automatic
Gamma Correction	0.45	0.45
S/N Ratio	More than 48 dB (AGC off)	More than 48 dB (AGC off)
Video Output	1.0 V pp 75 Ohms (composite video)	1.0 V pp 75 Ohms (composite video)
Minimum Illumination	0.05 Lux	0 Lux
Lens	3.6 mm	4.3 mm
Operation Temperature Range	-10°C to +45°C	-10°C to +45°C
Storage Temperature Range	-30°C to +60°C	-30°C to +60°C
Power Requirement	15 VDC (+/- 10%)	15 VDC (+/- 10%)
Power Consumption	100 mA (+/- 10%)	220 mA (+/- 10%)
Dimensions	3.10 (78.6) H x 1.71 (43.5) W x 2.33 (59.2) D	6.57 (166.6) H x 2.75 (69.8) W x 3.02 (76.7) D
Weight	2.93 oz. (83 g)	15.3 oz. (434 g)

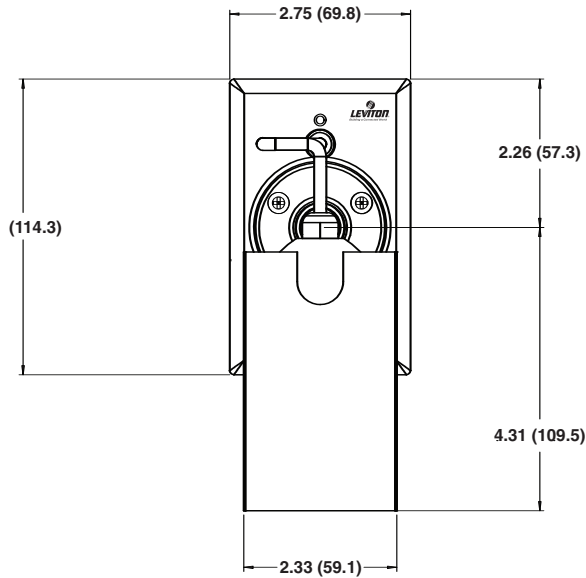
High Resolution Indoor/Outdoor Color Camera System

**VSIND-0SC, VSOUT-00W,
VSHUB-000**
.....

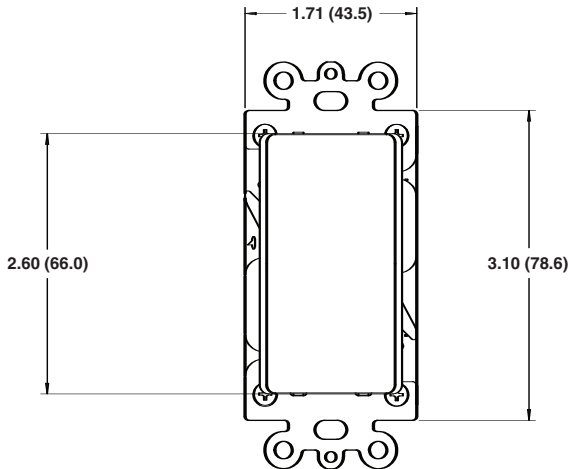
DIMENSIONAL DRAWINGS



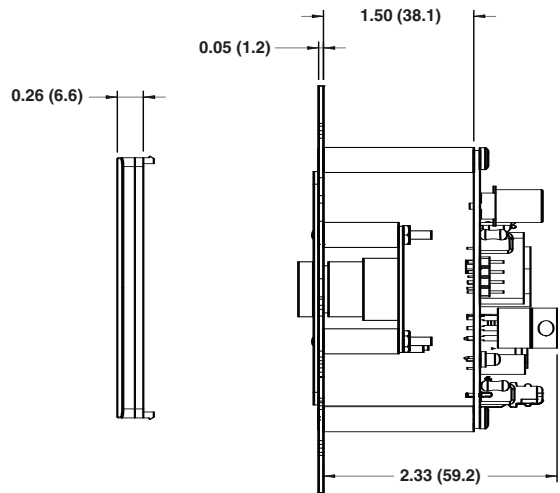
Camera Hub



Outdoor Camera



Indoor Camera



Leviton Mfg. Co., Inc.
59-25 Little Neck Pkwy • Little Neck, NY 11362-2591 • Tech Line: 1-800-824-3005 • Fax: 1-800-832-9538

5 Visit our Website at: www.leviton.com



High Resolution Indoor/Outdoor Color Camera System

**VSIND-0SC, VSOUT-00W,
VSHUB-000**
.....

AGENCY STANDARDS & COMPLIANCE

Complies with FCC Part 15, Class B

WARRANTY INFORMATION

Two-Year Limited Warranty

ORDERING INFORMATION

Cat. No.	Description
VSHUB-000	Camera Hub
VSIND-0SC	Indoor Color Camera
VSOUT-00W	Outdoor Color Camera

Leviton Manufacturing Co., Inc.
59-25 Little Neck Parkway, Little Neck NY 11362-2591
Customer Service: 1-800-323-8920 • FAX: 1-800-832-9538 Tech Line: 1-800-824-3005

Leviton Manufacturing of Canada, Ltd.
165 Hymus Boulevard, Pointe Claire, Quebec H9R 1E9 Customer Service: 1-800-469-7890 • FAX: 1-800-563-1853

Leviton S. de R.L. de C.V.
Lago Tana 43 Mexico DF, Mexico CP 11290 Tel. (+52) 55-5082-1040 www.leviton.com.mx

Note: Features and specifications subject to change
Patents Pending ©2006 Leviton Manufacturing Co., Inc. All rights reserved.

