

vizia rf +™

## Dimmers, Switches and Fan Speed Control



VRI06-1L



VRM10-1L



VRS05-1L



VRF01-1L

Join a revolution in the home automation industry with Vizia RF + wireless lighting and home control technology. Innovative and affordable, with features that are desired by professional installers and appreciated by homeowners, Vizia RF + helps reduce energy consumption. It provides dramatic scene transitions, extended zone lighting controls, industry standard 2-way status updating and true integration of household electrical devices. Use it to enhance new construction or to add value to older homes, condominiums and apartments.

The Vizia RF + Wireless Home Control System offers scalable, easy-to-install, remote control of appliances and lighting, as well as one-button scene and zone (area) lighting control to create the perfect ambiance. And, unlike previous home control systems, Vizia RF + does all of this without experiencing interference or inconsistent performance.

### APPLICATIONS

Vizia RF + Scene Capable Dimmers fit into standard wallboxes and replace regular switches or dimmers to provide local and remote ON/OFF/DIM/BRIGHT control for Incandescent, Electronic Low Voltage and Magnetic Low Voltage lighting loads. Vizia RF + Dimmers also provide scene control capability when used with Vizia RF + Scene Controllers. They respond to local manual control and commands sent from Leviton Vizia RF + Controllers or other Z-Wave® compatible controllers and programmers.

Controlled lighting can react individually or as a group (area) of lights through scene/zone (area) commands to provide elegant “one-touch” lighting scenes or simple ON/OFF functions. Vizia RF + Dimmers utilize existing 120VAC 60Hz wiring for “no-new-wires” installation.

Vizia RF + Scene Capable Switches fit into standard wallboxes and replace regular switches or dimmers (where a neutral is present for 15A switch) to provide local and remote ON/OFF switching for Incandescent, Fluorescent, Electronic Low Voltage and Magnetic Low Voltage lighting loads (5A switch is for Incandescent loads only and requires a 40W minimum load). They respond to commands sent from Leviton Vizia RF + Controllers or other Z-Wave compatible controllers or programmers. Controlled lighting can react individually or as part of a scene or zone grouping of lights through scene commands to provide an elegant and convenient “one-touch” lighting experience.

Vizia RF + Quiet Fan Speed Control fits into a standard wallbox and replaces existing switches or fan speed controls to provide the visual consistency and features of Vizia RF +. The design ensures quiet fan control with 3 levels of operation: low, medium and high. Leviton’s Fan Speed Control offers elegant, digital design, select Z-Wave integration and sophisticated home automation benefits to any Vizia RF + Home Control System.



### Leviton Mfg. Co., Inc.

59-25 Little Neck Pkwy, Little Neck, NY 11362-2591 Tech Line: 1-800-824-3005 Fax: 1-800-832-9538 www.leviton.com  
 © 2008 Leviton Manufacturing Co., Inc. All rights reserved. Subject to change without notice.

## FEATURES AND BENEFITS

- Wireless RF technology creates a mesh network for command and control interoperability
- Return-to-neutral design
- 2-way status updates
- Vizia +™ style push pad blends seamlessly with other devices in the Vizia + family
- Quality construction with consistent form factor, excellent ergonomic traits and precision feel
- Green locator LED illuminates when load is OFF
- High-gloss finish complements a wide variety of décors
- Superior versatility provides six products options in one box: 3 changeable faceplates and single pole or 3-way
- Universal design provides crisp actuation and minimal travel
- Fits into a single-gang 18 cubic-inch wallbox compatible with Decora Plus™ screwless and Decora® standard wallplates
- Responds to Vizia RF + Controllers as well as Z-Wave certified controllers from other manufacturers
- ON/OFF scene and zone control compatibility
- Local and remote ON/OFF control of connected loads
- Pro-Level integration with selected products and brands
- UL required air gap switch disconnects power from load locally. It is concealed during normal operation and is accessible without removing the wallplate
- Color change kits are available to allow fast color changeover and simplify stocking inventory

## Dimmers

- Energy Save Mode reduces power consumption and extends bulb life
- Preset ON Level option sets the brightness level when the device is turned on, regardless of the previous level
- Minimum Brightness Level option sets the minimum brightness level the dimmer will output prior to turning completely off
- 49 possible combinations of fade rates, from soft to instant
- Horizontal 7-step green LED display indicates selected brightness level
- LED Bar option to allow the LED display to change from a single point LED to a cumulative bar indicating brightness level
- LED Display option can adjust the length of time display remains lit
- Dimmers require 40W minimum load
- Transient surge protection to IEC Level 4
- ESD protection to IEC 1000 4-2 Level 4 to protect against damage and memory loss due to static discharges
- VRE06 Electronic Low Voltage Dimmer has resettable overload protection that automatically shuts off when dimmer capacity is exceeded
- Hardwired 3-way Dimming: Works with the Vizia + Coordinating and Matching Dimming Remote (VP00R) for hardwired 3-way or up to 10 location control
- Virtual RF 3-way Dimming works with Vizia RF + 1-Button Zone Controller/Virtual Matching Dimmer Remote (VRCZ1-1L)
- RFI filtering for radio, audio and video equipment
- Leviton Power Extenders can be used to extend the load capacity of Vizia + dimming wall switch receivers

## Switches

- Can be used for single pole, 3-way or multi-location control with choice of remote switches
- Transient surge protection to IEC Level 4
- ESD protection to IEC 1000 4-2 Level 4 to protect against damage and memory loss due to static discharges
- RFI filtering for radio, audio and video equipment
- Responds to Vizia RF + Controllers as well as Z-Wave certified controllers from other manufacturers
- Hardwired 3-way switching works with the Vizia + Coordinating Switch Remote for hardwired 3-way or up to 10 location control or the Matching Switch for up to 5 location control
- Virtual 3-way Switching works with Vizia RF + 1-Button Scene Controller/Virtual Switch Remote (VRCS1-1L)
- VRS05 is for Incandescent load only and requires a 40W minimum load

## Quiet Fan Speed Control

- Quiet Fan Speed Control for single pole, 3-way or more applications
- Preset On Level option sets the fan speed when the device is turned on, regardless of the previous setting
- LED locator and fan speed display
- Off-Low-Medium-High speed settings
- RFI filtering for radio, audio and video equipment
- Microprocessor-controlled "kick-start" to allow fan to go directly from OFF to any speed setting
- LED Display option can adjust the length of time display remains lit
- Hardwired 3-way dimming works with the Vizia + Coordinating and Matching Dimming Remote for hardwired 3-way or up to 10 location control
- Virtual 3-way dimming works with Vizia RF + 1-Button Zone Controller/Virtual Matching Dimmer Remote (VRCZ1-1L)

## SPECIFICATIONS

### Operating Temperatures

Operating Temperature: 0°C to 55°C

Relative humidity: 20% to 90% (non-condensing)

### Terminations

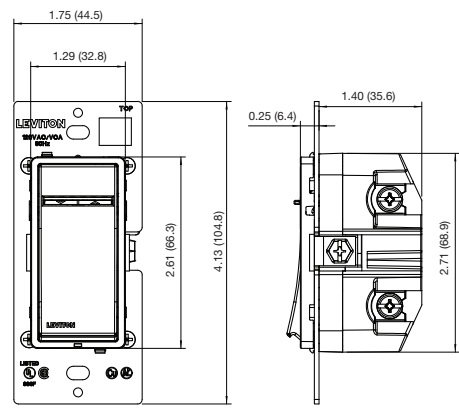
- VRI06 and VRS05 have 4 screw terminals for line, load, remote and ground
- VRI10 has 4 wire leads for line, load, remote and ground
- VRF01, VRE06 and VRM10 have 5 wire leads for line, load, neutral, remote and ground
- VRS15 has 5 screw terminals for line, load, neutral, remote and ground



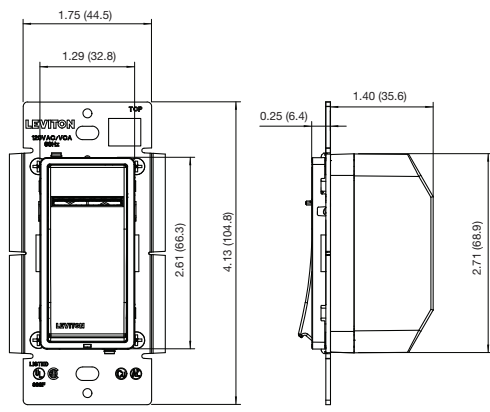
## Leviton Mfg. Co., Inc.

59-25 Little Neck Pkwy, Little Neck, NY 11362-2591 Tech Line: 1-800-824-3005 Fax: 1-800-832-9538 www.leviton.com  
 © 2008 Leviton Manufacturing Co., Inc. All rights reserved. Subject to change without notice.

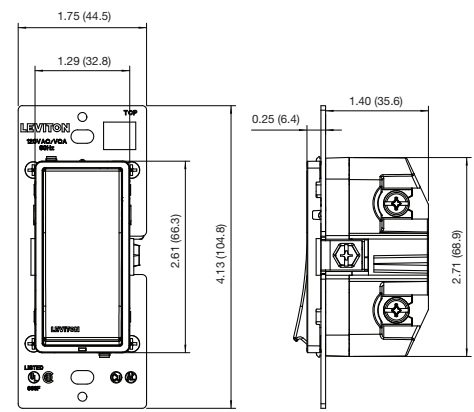
## DIMENSIONAL DRAWINGS



**VRI06-1L**



**VRI10-1L  
 VRM10-1L  
 VRE06-1L  
 VRF01-1L (No Fins)**



**VRS15-1L  
 VRS05-1L**

### AGENCY STANDARDS AND COMPLIANCE

- Complies with FCC Part 15, Class B
- NOM Certified (#057)
- CSA Certified (File #152105)
- UL required air gap switch disconnects power from load locally. It is concealed during normal operation and is accessible without removing the wallplate
- Z-Wave Certified

### Dimmers

- UL Listed (File #E-31373)

### Switches

- UL Listed (File #E-66800)

### Fan Speed Control

- UL Listed (File #E-123566)

### INSTALLATION CONSIDERATIONS

A Z-Wave enabled device must be within 75 feet (open air) of another Z-Wave enabled device to participate in a Z-Wave wireless mesh network. Any one dimmer/switch can be associated with no more than 5 Controllers. Each ON/OFF button on a Vizia RF + Controller can be associated with up to 32 select Z-Wave compatible devices in a system area. Neutral wire required on selected devices.

### WARRANTY INFORMATION

- Limited Five-Year Warranty

### PROGRAMMING

- See instruction manual included with products for programming information
- Vizia RF + system guide is a resource available for download at [viziarpplus.com](http://viziarpplus.com)

### Leviton Mfg. Co., Inc.

## WIRING DIAGRAMS

### DIAGRAM 1

Single pole wiring for scene capable incandescent dimmers or incandescent switch

#### Dimmers

VRI06

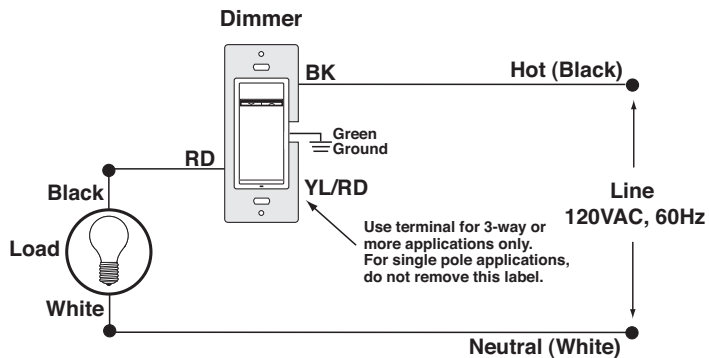
VRI10

#### Switch

VRS05

#### NOTES:

- 1) VRI06 and VRS05 have screw terminals, VRI10 has leads
- 2) VRS05 is for Incandescent load only and requires a 40W minimum load



### DIAGRAM 2

3-way wiring for scene capable incandescent dimmers or incandescent switch with coordinating remote

#### Dimmers

VRI06

VRI10

#### Switch

VRS05

#### Vizia + Coordinating Dimmer Remote

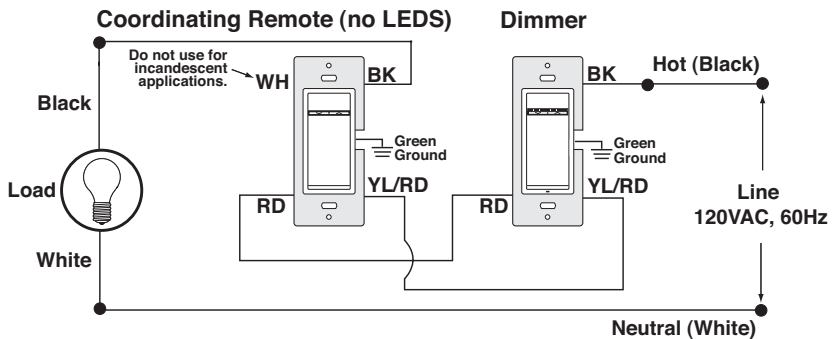
VP00R-10

#### Vizia + Coordinating Switch Remote

VPOSR-10

#### NOTES:

- 1) VRI06, VRS05, VP00R-10 and VPOSR-10 have screw terminals, VRI10 has leads
- 2) Black connections are interchangeable
- 3) Silver terminal on coordinating remote is unused
- 4) VRS05 is for Incandescent load only and requires a 40W minimum load



### DIAGRAM 3

3-way wiring for scene capable incandescent dimmers or incandescent switch with matching remote

#### Dimmers

VRI06

VRI10

#### Switch

VRS05

#### Vizia + Matching Dimmer Remote

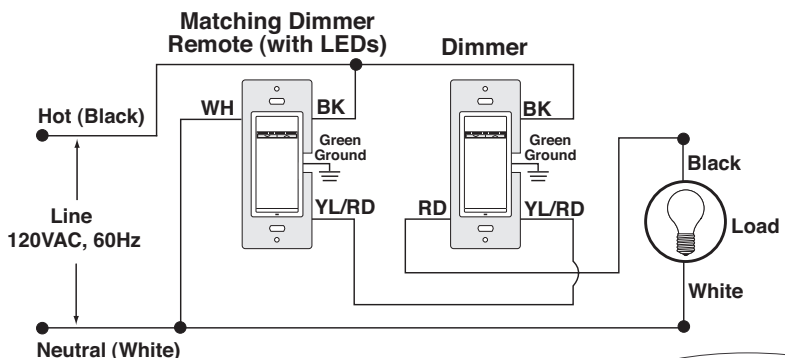
VP00R-1L

#### Vizia + Matching Switch Remote

VPOSR-1L

#### NOTES:

- 1) VRI06, VRS05, VP00R-1L and VPOSR-1L have screw terminals, VRI10 has leads
- 2) VRS05 is for Incandescent load only and requires a 40W minimum load



### Leviton Mfg. Co., Inc.

59-25 Little Neck Pkwy, Little Neck, NY 11362-2591 Tech Line: 1-800-824-3005 Fax: 1-800-832-9538 www.leviton.com  
© 2008 Leviton Manufacturing Co., Inc. All rights reserved. Subject to change without notice.

**DIAGRAM 4**

Single pole wiring for electronic low voltage dimmer, magnetic low voltage dimmer, fan speed control or switch

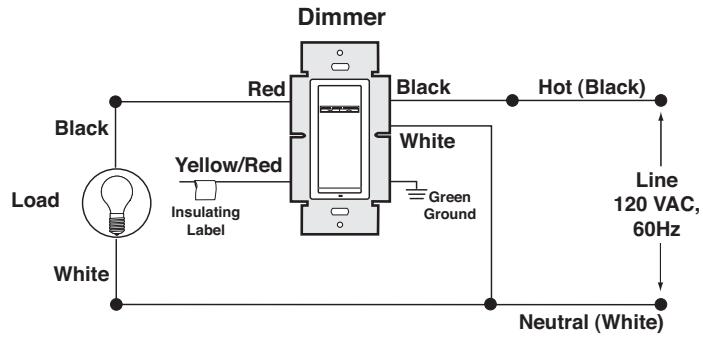
- Dimmer**  
 VRE06  
 VRM10

- Fan Speed Control**  
 VRF01

- Switch**  
 VRS15

**NOTES:**

- 1) VRS15 has screw terminals, VRE06, VRM10 and VRF01 have leads



**DIAGRAM 5**

3-way wiring for electronic low voltage dimmer, magnetic low voltage dimmer, fan speed control or switch with coordinating remote

- Dimmers**  
 VRE06  
 VRM10

- Fan Speed Control**  
 VRF01

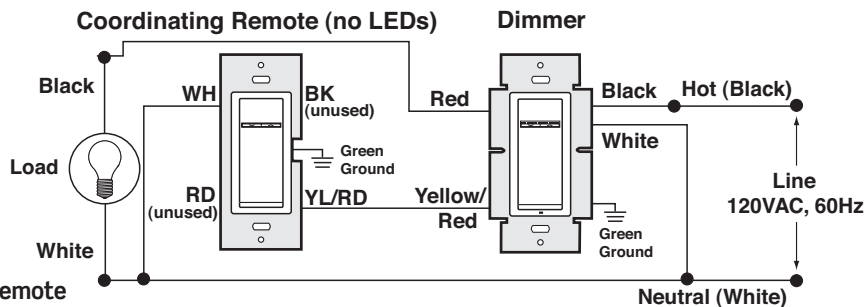
- Switch**  
 VRS15

- Vizia + Coordinating Dimmer Remote**  
 VP00R-10

- Vizia + Coordinating Switch Remote**  
 VP0SR-10

**NOTES:**

- 1) VRS15, VP00R-10 and VP0SR-10 have screw terminals, VRE06, VRM10 and VRF01 have leads  
 2) Black and red terminals on coordinating remote are unused



**DIAGRAM 6**

3-way wiring for electronic low voltage dimmer, magnetic low voltage dimmer, fan speed control or switch with matching remote

- Dimmers**  
 VRE06  
 VRM10

- Fan Speed Control**  
 VRF01

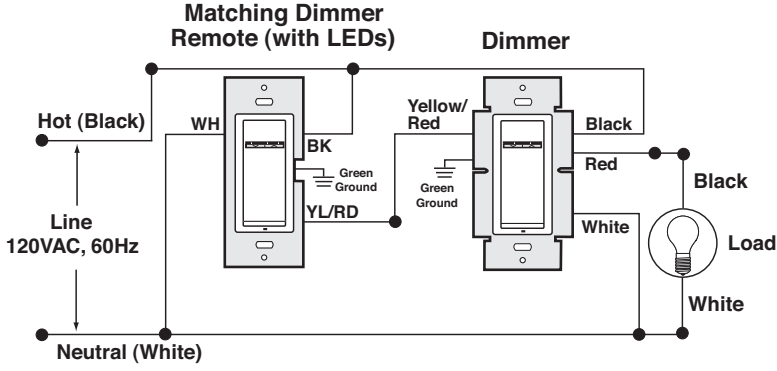
- Switch**  
 VRS15

- Vizia + Matching Dimmer Remote**  
 VP00R-1L

- Vizia + Matching Switch Remote**  
 VP0SR-1L

**NOTES:**

- 1) VRS15, VP00R-1L and VP0SR-1L have screw terminals, VRE06, VRM10 and VRF01 have leads



**Vizia RF +™ Dimmers, Switches and Fan Speed Control**

**Derating/Maximum Capacity**

Vizia RF + Dimmers (except the VRI06) have side sections. In multi-gang installations, fin plate removal is required for devices with side sections, and all devices must be derated in accordance with the following chart.

	<b>SINGLE GANG</b>	<b>DOUBLE GANG</b>	<b>TRIPLE GANG OR MORE</b>
VRI06-1L	600W	500W	400W
VRI10-1L	1000W	800W	650W
VRM10-1L	1000VA (+750W)	800VA (+600W)	700VA (+525W)
VRE06-1L	600W	500W	400W
VRF01-1L	No derating required	No derating required	No derating required

† Magnetic Low Voltage maximum bulb wattage with 75% efficient transformer

**ORDERING INFORMATION**

Vizia RF + Scene Capable Dimmers for Single Pole, 3-Way or Multi-Location Applications

<b>DESCRIPTION</b>	<b>CAT NO</b>	<b>RATING</b>	<b>COLOR*</b>
Vizia RF + Scene Capable Incandescent Dimmer with LED locator and brightness display	VRI06-1L	600W – 120VAC 60Hz	X, Z
Vizia RF + Scene Capable Incandescent Dimmer with LED locator and brightness display	VRI10-1L	1000W – 120VAC 60Hz	X, Z
Vizia RF + Scene Capable Magnetic Low Voltage Dimmer with LED locator and brightness display	VRM10-1L	1000VA – 120VAC 60Hz (Neutral Required)	X, Z
Vizia RF + Scene Capable Electronic Low Voltage Dimmer with LED locator and brightness display	VRE06-1L	600W – 120VAC 60Hz (Neutral Required)	X, Z
Vizia RF + Scene Capable Switch with LED locator	VRS05-1L	5A Incandescent only	X, Z
Vizia RF + Scene Capable Switch with LED locator	VRS15-1L	Resistive, 1800W, 15A Incandescent, 1800W Fluorescent, 1800VA Inductive, 1800VA Motor, 1/2 HP, 9.8A (Neutral Required)	X, Z
Vizia RF + Quiet Fan Speed Control	VRF01-1L	Fan Motor Load 1.5A 120VAC 60Hz (Neutral Required)	X, Z

Products with suffix (-X) include White, Ivory and Almond; products with suffix (-Z) include White, Ivory and Light Almond.

**COLOR CHANGE KITS**

<b>COLOR</b>	<b>MATCHING DIMMER COLOR CHANGE KIT WITH LED LOCATOR AND BRIGHTNESS DISPLAY FOR DIMMERS AND FAN SPEED CONTROL</b>	<b>MATCHING SWITCH COLOR CHANGE KIT WITH LED LOCATOR FOR SWITCHES</b>
Ivory	VPKIT-MDI	VPKIT-MSI
White	VPKIT-MDW	VPKIT-MSW
Almond	VPKIT-MDA	VPKIT-MSA
Gray	VPKIT-MDG	VPKIT-MSG
Black	VPKIT-MDE	VPKIT-MSE
Brown	VPKIT-MDB	VPKIT-MSB
Red	VPKIT-MDR	VPKIT-MSR
Light Almond	VPKIT-MDT	VPKIT-MST

The Vizia +™ products are covered by one or more of the following patents: US D531,137; US D563,326; US D563; US 6,388,399; CA 116,616; other U.S. and foreign patents pending.

Vizia +, Vizia RF +, Decora Plus are trademarks and Decora is a registered trademark of Leviton Manufacturing Co., Inc. Z-Wave is a registered trademark of Zensys Corporation.


**Leviton Manufacturing Co., Inc.**

59-25 Little Neck Pkwy, Little Neck, NY 11362-2591 • Tech Line: 1-800-824-3005 • Fax: 1-800-832-9538 • www.leviton.com

**Leviton Manufacturing of Canada, Ltd.**

165 Hymus Boulevard, Pointe Claire, Quebec H9R 1E9 • Telephone: 1-800-469-7890 • FAX: 1-800-563-1853

**Leviton S. de R.L. de C.V.**

Lago Tana 43, Mexico DF, Mexico CP 11290 • Tel. (+52) 55-5082-1040 • FAX: (+52) 5386-1797 • www.leviton.com.mx

**Visit our Website at: www.leviton.com**

© 2008 Leviton Manufacturing Co., Inc. All rights reserved. Subject to change without notice.

