



GAI-TRONICS® CORPORATION
A HUBBELL COMPANY

Model 7085-001-EX

SmartSeries Multi-Party Hazardous Area Amplifier Enclosure

General Information

This data sheet applies to the Model 7085-001-EX Multi-Party Hazardous Area Amplifier Enclosure, which is a component of the 700 Series Page/Party® system. This enclosure is configured for multi-party systems and can accommodate conversations on up to five party lines simultaneously. It is constructed of cast aluminum and is extremely weatherproof and corrosion-resistant.

This enclosure is equipped with terminal strips for connecting system cable. The Model 709-901 SmartSeries Amplifier mates directly with this enclosure. **NOTE:** The Model 7085-001-EX Enclosure contains metric thread connections.

Specifications

Construction/finish..... Cast aluminum/gray polyurethane
 Mounting..... Wall or column, four 1/2-inch mounting feet with slots
 Connections.....Internal screw-type barrier terminal blocks
 Dimensions..... 15.25 H × 15.25 W × 12.375 D inches (387.4 × 387.4 × 314.3 mm)
 Temperature range (operating and storage)..... (-4° F to +140° F) -20° C to +60° C
 Shipping weight..... 75 lbs. (34.02 kg)
 Enclosure..... IP66/Type 4X

Approvals

ATEX Certified.....II 2 G Ex d [ib] IIB + H₂ T6
 Applicable standards..... EN 50014:1997, A1+A2:1999, EN50020:2002,
 EN 60079-0:2006 and EN 60079-1:2004
 CE Mark.....Complies with Low Voltage Directive 73/23/EEC, and the
 EMC Directive 89/336/EEC amended by the Directive 93/68/EEC.

Certificate No. DEMKO 05 ATEX 0526157X
 Notified Body Id No. 0539
 UL International DEMKO A/S
 Lyskear 8
 DK-2730 Herlev
 Denmark



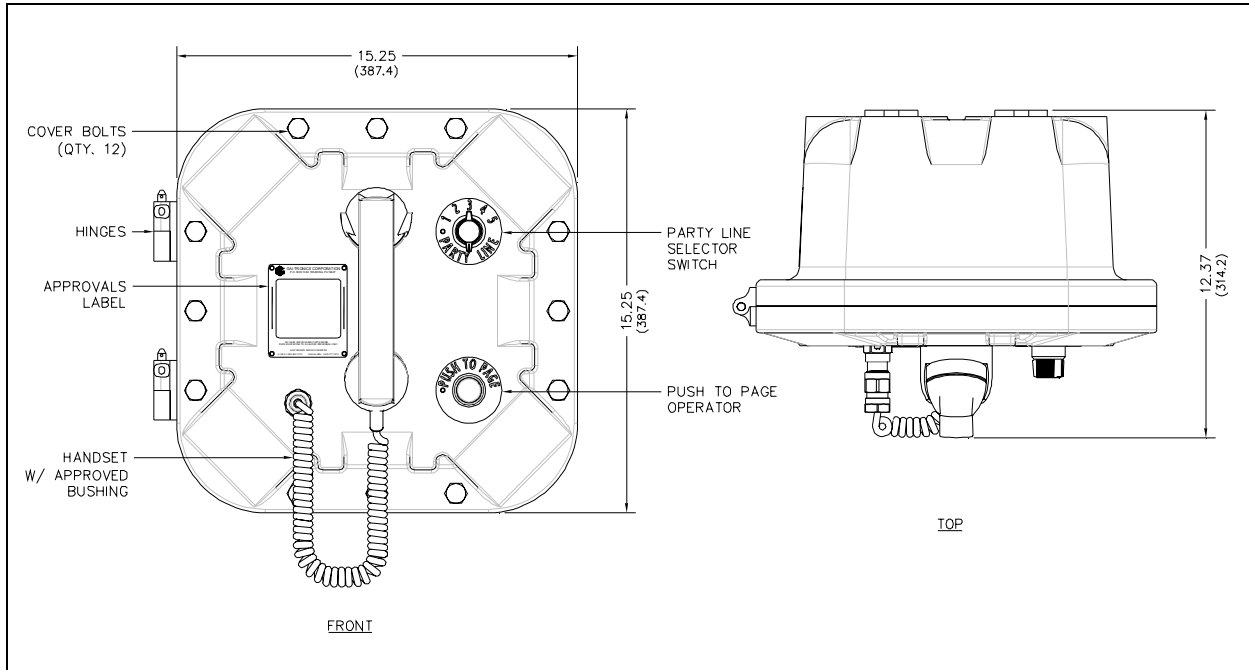


Figure 1. Model 7085-001-EX Amplifier Enclosure Outline

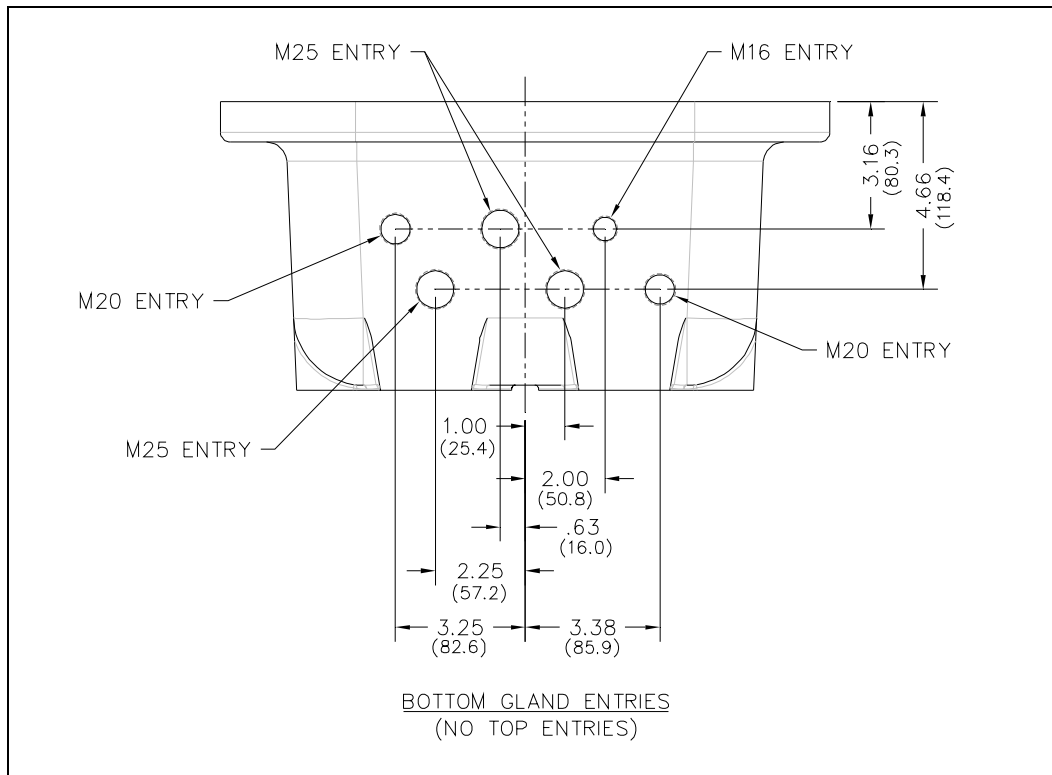


Figure 2. Model 7085-001-EX Amplifier Enclosure Cable Gland Entries

