



GAI-TRONICS® CORPORATION
A HUBBELL COMPANY

Model 7335-002

Multi-Party 24 V DC Amplifier Enclosure

General Information

This data sheet applies to the GAI-Tronics Model 7335-002 Weatherproof 24 V dc Multi-Party Amplifier Enclosure:

This enclosure is intended for 24 V dc input within a 700 Series Page/Party® system. It can accommodate conversations on up to five party lines simultaneously. The enclosure is constructed of glass-reinforced polyester, making it extremely weatherproof and corrosion-resistant. It is equipped with terminal strips for connecting system cable. The 701 and 751 Series Amplifiers mate directly with this enclosure.

Specifications

Model 7335-002 Weatherproof Non-metallic 24 V DC Multi-Party Amplifier Enclosure

- Construction/Finish..... Glass-reinforced polyester, J-hook latch, hinged door with gasket
- Mounting..... Wall, column, or pole (mounting kit required for pole mount),
four 7/16-inch mounting holes
- ConnectionsInternal screw-type barrier terminal blocks
- Dimensions 14.6 H × 10.9 W × 10.5 D inches (371 × 276 × 267 mm)
- Shipping weight 9.6 lbs. (4.4 kg)
- Approvals..... NRTL Listed for USA and Canada..... Class I, Div. 2, Groups A, B, C, D;
Class II, Div. 2, Groups F and G; Class III, Div. 2
- Outdoor environmental rating..... Type 3R; Type 4X with door closed



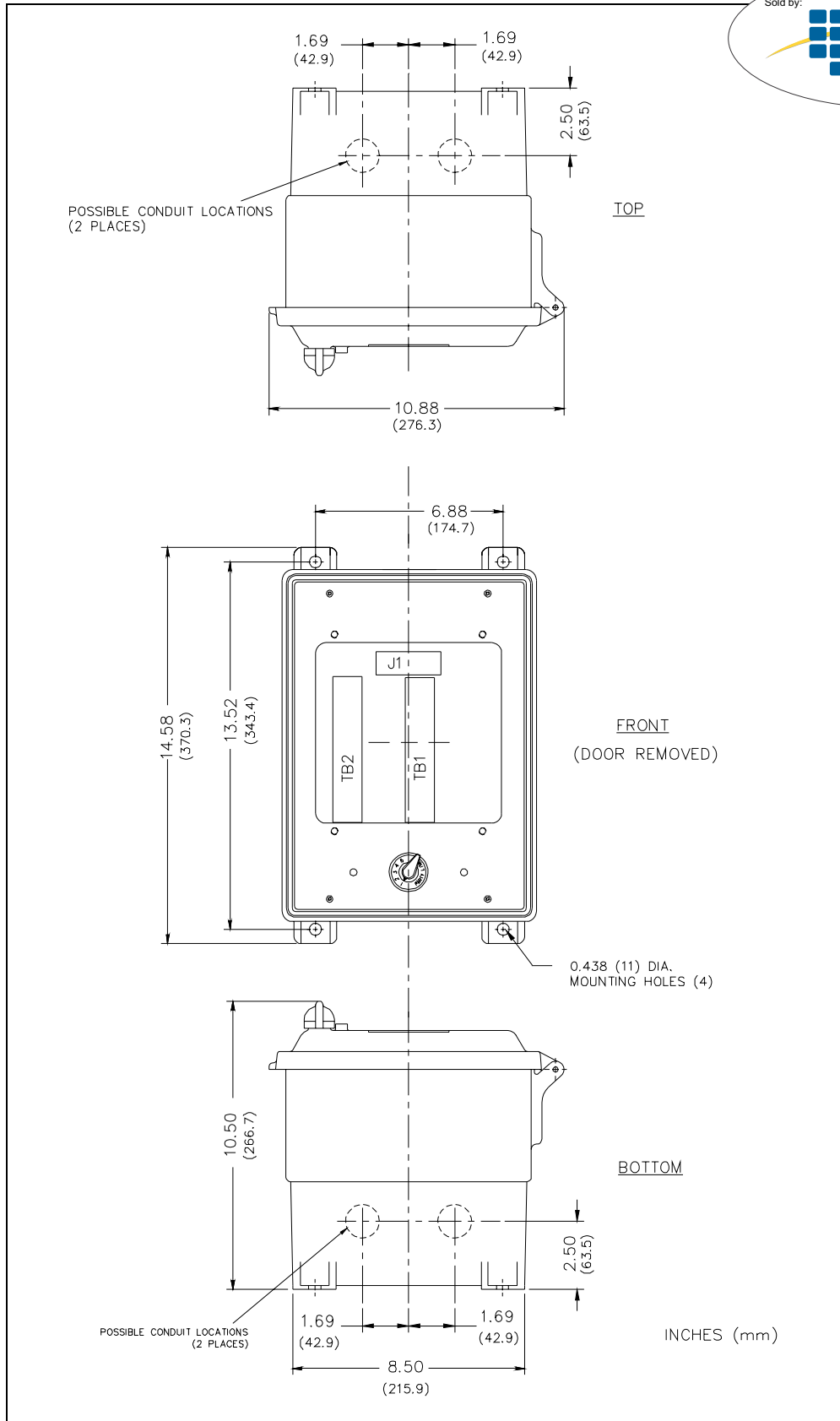


Figure 1. Model 7335-002 Weatherproof Non-metallic 24 V dc Multi-Party Amplifier Enclosure