

## CS6365C

### Description

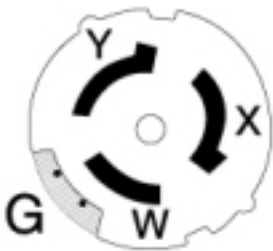
50Amp, 125/250V AC, Non-NEMA, 3P, 4W, Black & White Locking Plug, Industrial Grade, Grounding, California-Style(CS) – BLACK/WHITE



**Color:** Black-White



**Configuration:**



### Product Features

Grounding: Grounding

Amperage: 50 Amp

Voltage: 125 Volt/250 Volt

NEMA: Non-NEMA

Pole: 3

Wire: 4

Cord Range: .680 - 1.125

Wire Gauge: 10-4 AWG

Blades/Contacts: Solid Brass

Body Material: Super Tough Nylon

Assembly Screws: Brass

Color: Black-White

Standards and Certifications: UL/CSA/NOM

Warranty: Lifetime Limited

### Features and Benefits

- Durable, super tough nylon housing resists impact and abrasion
- Nylon face module for heat and impact resistance
- Deep wire wells make larger diameter cable easier to wire
- Stainless steel shroud protects blade and resists distortion which prevents connection of disparate devices
- Copper box terminal with hex head set screw allows for high clamping pressure without damaging strands
- Screwless face module makes for faster wiring
- Available with screwless cord clamp for fastest assembly
- Ratings and catalogue numbers molded in to face module and stamped in to SS shroud makes devices easy to identify for connection or replacement
- Dust Shield(standard cord clamp) prevents particulates from entering wiring chamber

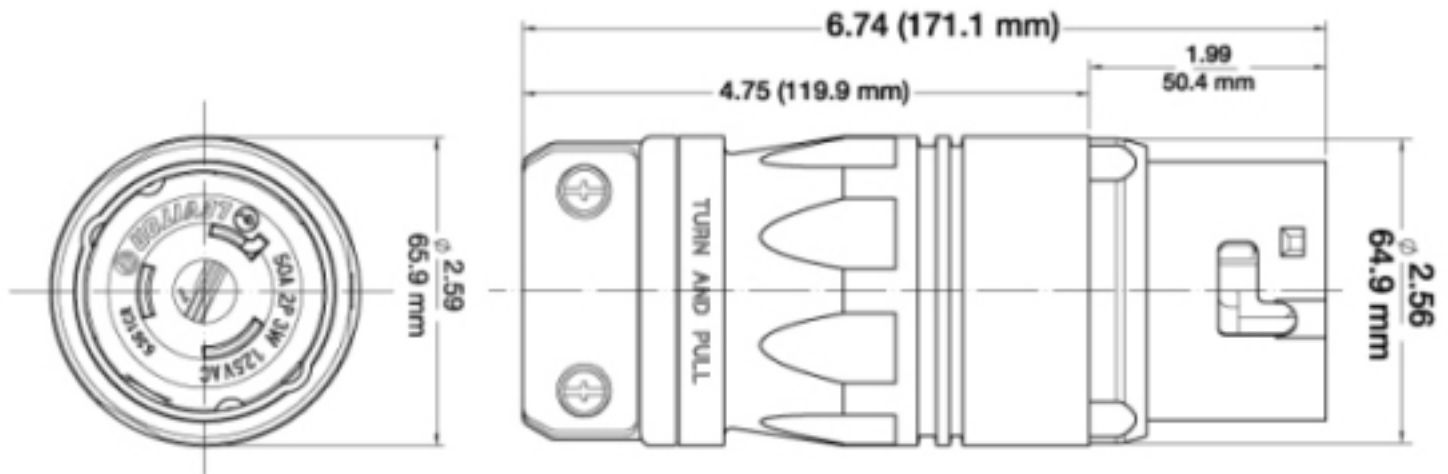
Electrical Specifications	
Dielectric Voltage Withstand	2000V minimum per UL 498
Maximum Working Voltage	125/250V as rated
Current Interrupting	Certified for current interrupting at full rated current
Temperature Rise	Max 30°C temp rise at full-rated current after 150 cycles of OL at 150% rated DC current

Environmental Specifications	
Flammability	UL94V-2
Operating Temperature	-40deg.C to 75deg.C(-40deg.F to 167deg.F)

Material Specifications	
Face Module	Nylon
Wiring Chamber	Nylon
Assembly Screws	Brass
Housing Material	Nylon
Dust Shield	Santoprene TPE
Terminal Block	0.062inch thick Copper
Terminal Set Screw	SS 302/304
Ground Shunt	Bronze
Ground Post	Brass
Plug Blade	0.1000inch thick Brass
Plug Blade Shroud	SS 302/304
Standard Cable Clamp	Nylon
Cable Clamp Screw	Philips Head, SS 304

Mechanical Specifications	
Terminal ID	X, W, Y, and Green for ground
Terminal Accom.	#10min to #4max AWG Solid or Stranded Wire
Product ID	Ratings and Catalogue No. molded into face and stamped into shroud

Standards and Certifications	
UL 498	File E13399
CSA C22.2 No. 42	File 152105
NOM	057
RoHS	Compliant



**SPECIFICATION SUBMITTAL**

JOB NAME: <input type="text"/>	CATALOG NUMBERS: <input type="text"/>	
JOB NUMBER: <input type="text"/>	<input type="text"/>	<input type="text"/>

**Leviton Manufacturing Co., Inc.**

59-25 Little Neck Parkway, Little Neck, NY 11362-2591

Telephone: 1-800-323-8920 · FAX: 1-800-832-9538 · Tech Line (8:30AM-7:30PM E.S.T. Monday-Friday): 1-800-824-3005

**Leviton Manufacturing of Canada, Ltd.**

165 Hymus Boulevard, Pointe Claire, Quebec H9R 1E9 · Telephone: 1-800-469-7890 · FAX: 1-800-824-3005

**Leviton S. de R.L. de C.V.**

Lago Tana 43, Mexico DF, Mexico CP 11290 · Tel.: (+52)55-5082-1040 · FAX: (+52)5386-1797 · [www.leviton.com.mx](http://www.leviton.com.mx)



**Visit our Website at: [www.leviton.com](http://www.leviton.com)**

©2007 Leviton Manufacturing Co., Inc. All rights reserved. Subject to change without notice.

