

SONY®

Network Camera

SNC-P5



Connect Your Vision

IPELA



IPELA

Stunning video and audio brought to you by "IPELA" fashions the novel reality for the modern businessperson. Sharing ideas and dreams as if you are collocated when your counterpart is half-way around the world, experiencing images as if you are actually there, this is "IPELA."
Real audiovisual communication over networks - this is business communication of the future, this is business communication brought to you today, this is "IPELA."

To meet the growing demand for high quality, affordable remote monitoring systems, Sony has introduced a new addition to its line of Network Cameras – the SNC-P5 MPEG-4 PTZ.

The SNC-P5 incorporates a built-in web server and a network interface, allowing users to control cameras and monitor images from a networked PC running a standard web browser. No additional software is required. Supporting both JPEG and MPEG-4 compression formats, the camera provides high-quality still images and smooth moving images, even when the bandwidth is limited, responding to your application demands and network environment. The camera's pan/tilt feature offers wide area coverage, providing efficient monitoring with a single unit. What's more, the SNC-P5 incorporates a 3x optical zoom lens, enabling users to monitor small or distant objects with exceptional clarity.

The SNC-P5 is packed with convenient features such as a built-in Compact Flash™ (CF) Type card slot, wireless capability¹, audio monitoring, and alarm functions. Boasting a compact and unique body, the SNC-P5 is an ideal choice for monitoring applications both indoors and outdoors,² it provides remote video and audio monitoring, Web casting, and more!

¹ The optional SNCA-CF1 Wireless Card is required

² The optional SNCA-HP5 Housing Kit is required for use in an outdoor environment.



FEATURES

All-In-One Network Camera

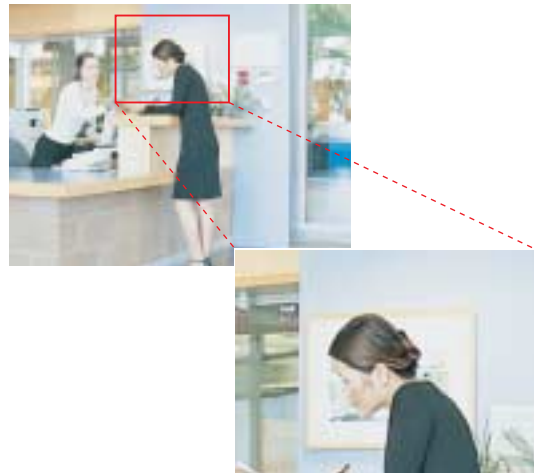
The SNC-P5 includes a built-in web server and a 100Base-TX/10Base-T network interface, allowing users to configure the unit in any TCP/IP network. Just connect the cameras to a network, and you can access the images from a remote location on your PC running a standard web browser. No additional software is required.



Viewer

Pan/Tilt/Zoom Capability

The SNC-P5 is pan/tilt-capable with both a pan and tilt range of 75 degrees allowing users to monitor a relatively wide viewing area with a single camera. What's more, the SNC-P5 employs a 3x optical zoom lens, enabling users to zoom in on small or distant objects with clarity.



3 x Optical Zoom (simulated images)



Selectable MPEG-4 or JPEG Compression Formats

The SNC-P5 supports both MPEG-4 and JPEG compression formats. The high-compression ratio of MPEG-4 provides smooth moving images over networks, even when bandwidth is limited. If higher quality still images are preferred, then the industry standard JPEG compression format is selectable. The SNC-P5 also supports variable bit rates up to 2Mbps.

The image size can be selected from six modes to meet your network environment and application requirements.

Image size: 640 x 480, 480 x 360, 384 x 288, 320 x 240, 256 x 192, 160 x 120

High Frame Rate

The SNC-P5 produces images at a maximum frame rate of 30fps³, when the image size is 320 x 240 in both MPEG-4 and JPEG modes, providing clear and smooth moving images. The frame rate can be fixed, or set to a variable rate that automatically adjusts to the available bandwidth.

³ In order to view images at the maximum frame rate, adequate PC processing power and network bandwidth are required.

Audio Monitoring

Incorporating a built-in microphone and an external microphone input, the SNC-P5 allows for audio as well as video monitoring. The use of an external microphone greatly enhances the ability to pickup the desired sound from the preferred location. The unit is also equipped with a speaker output, enabling users to send an alert or make an announcement, significantly expanding the possibilities for remote monitoring applications.

Network Features

Adaptive Rate Control

In order to control QoS (Quality of Service) levels over a network, the SNC-P5 employs an adaptive rate control function. This automatically varies the video bit-transfer rate to meet changing network conditions and selects the most appropriate frame rates, preventing audio and video breakup.

Simultaneous Access

Up to 20 users in JPEG mode, or 10 users in MPEG-4 mode, can simultaneously access the SNC-P5 and monitor images separately.

Multicasting Capability

The SNC-P5 has a built-in multicasting capability. When configured with a multicast router, the unit can efficiently stream video and audio to a large number of users.

Network Security Features

IP Filtering

With IP filtering, access to the SNC-P5 can be restricted to one or more groups of selected users. Up to ten different groups can be established by defining an IP address range for each group.

Password Protection

User names and passwords can be assigned to allow four levels of access. The administrator has complete access/control of the cameras; while the other three levels of access can be set to limit user privileges to functions such as PTZ control, viewing, and trigger control.



Sold by:



Compact Flash (CF) Type Card Slot/Wireless Capability

A built-in expansion slot for CF cards is integrated into the SNC-P5, enabling you to store additional images on CF media as required. In addition, the SNC-P5 supports the SNCA-CFW1 Wireless Card, which is IEEE 802.11b compliant; just insert the card into the slot and the camera can be configured in a wireless network.

Alarm Functions

Motion Detection^{*4}/Alarm Trigger

The SNC-P5 is equipped with a built-in motion detection function that can generate an alarm through its alarm-output port, or trigger another device to perform a variety of actions. The motion-detection function uses vector information so that unwanted noise components do not accidentally trigger the alarm. In addition to these features, the SNC-P5 is equipped with a sensor-input port that can receive a trigger from an external sensor.

^{*4} Motion detection function can be used when a monitoring image is set to a MPEG-4.

Pre-/Post-Alarm Image Storage

With its built-in buffer memory, the SNC-P5 can store several seconds of pre-alarm and post-alarm images when the motion detector, the sensor input, or both trigger an alarm.

Maximum Image Storage Capacity

(Definable from the Setup Menu)

MPEG-4 Compressed Images:

Approx. 30 seconds* (pre-/post- 15 sec)

*when image size is 320 x 240 at 30 fps and 512 kbps

JPEG Compressed Images:

Approx. 10 seconds* (pre-/post- 5 sec)

*when image size is 320 x 240 at 15 fps and image quality is set to Level 3

Image transfer using FTP/SMTP^{*5}

All of the pre-/post-alarm images stored at the time of an alarm event can be transferred to an FTP server for later viewing. Also, a still image at the time of an alarm event can be sent to a designated e-mail address.

^{*5} All transferred images are in JPEG format. MPEG images are converted to JPEG before being transferred.

Analog Composite Video Output

The SNC-P5 can output an analog composite video signal via the mini-jack connector. This feature is ideal for sending signals to a local recording device or monitor.



SNC-P5 Rear Panel

User-Friendly Controls

Camera settings, controls, and monitoring can be easily accomplished with a user-friendly graphical user interface (GUI) on the PC monitor.

Flexible Installation

The SNC-P5 provides flexible installation to meet your specific application needs, it can be wall-mounted, ceiling-mounted, or placed on a desktop using the supplied camera stand. What's more, with the optional SNCA-HP5 Housing Kit, the SNC-P5 can be used in an outdoor environment, expanding your monitoring applications.

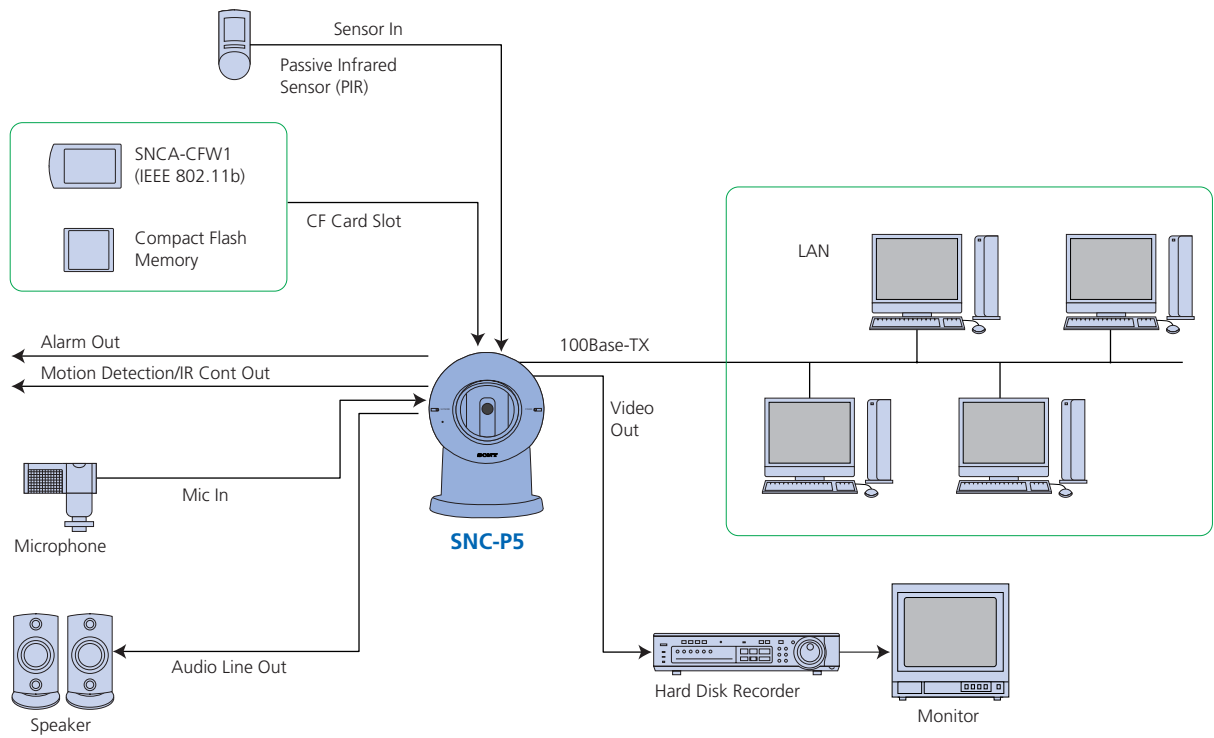


Ceiling-mounted



Wall-mounted

SYSTEM CONFIGURATION



OPTIONAL ACCESSORIES



SNCA-CFW1
Wireless Card



SNCA-AN1
Wireless LAN Antenna
(Optional accessory for the
SNCA-CFW1 Wireless card)

- **SNCA-HP5**
Housing Kit

SPECIFICATIONS

Camera	
Image device	1/4-type progressive scan CCD
Number of effective pixels (H x V)	659 x 494 (330K)
Focal length	f = 3.4 to 10.2 mm
F-number	F2.8 (wide) to 3.9 (Tele)
Minimum object distance	40 cm (wide end), 140 cm (Tele end)
Pan angle	-60 to +60 degree
Tilt angle	-65 to +10 degree
Other functions	Motion Detection

Image	
Image size (H x V)	
MPEG-4 mode	640 x 480, 480x 360, 384 x 288, 320 x 240, 256 x 192, 160 x 120
JPEG mode	640 x 480, 480x 360, 384 x 288, 320 x 240, 256 x 192, 160 x 120
Compression format	MPEG-4, JPEG (Selectable)
Maximum frame rate	
MPEG-4 mode	Max. 30 f/s (320x240)
JPEG mode	Max. 30 f/s (320x240)

Audio	
Compression format	G.711 (64 kb/s)/G.726 (40,32,24,16 kb/s)
Built-in Microphone	Electret condenser microphone

Network	
Protocols	TCP/IP, ARP, ICMP, DHCP, DSN, HTTP, FTP, SMTP, NTP, SNMP (MIB-2), RTP/RTCP, PPPoE
Number of clients	
MPEG-4 mode	10
JPEG mode	20

Interface	
Ethernet	100Base-TX/10Base-T (RJ-45)
Card slot	Compact Flash (for SNCA-CFW1 IEEE802.11b Wireless Card or compact flash memory card)
Analog video output	Mini-jack (1.0 V p-p, 75 Ω, Synch negative)
External Microphone input	Mini-jack, 2.2 kΩ, unbalanced (RCA), 2.5 V plug-in power
Audio line output	Mini-jack, (mono), max output level: 1 Vrms

Analog video output	
Horizontal resolution	400TV lines
S/N ratio	-48 dB
Minimum illumination	3.5 lx (AGC ON, 30IRE)

General	
Mass	Camera: approx. 380 g (13 oz) Stand: approx. 360g (13 oz)
Dimensions (W x H x D)	Camera: 130 x 130 x 110 mm (5 1/8 x 5 1/8 x 4 3/8 inches) Stand: 130 x 178 x 142 mm (5 1/8 x 7 1/8 x 5 5/8 inches)
Power requirements	DC 12 V
Power consumption	6.2 W
Operating temperature	0 to +35 °C (32 to 95 °F)
Operating humidity	20 to 80 %, Non-condensing
Storage temperature	-20 to +60 °C (-4 to +140 °F)
Storage humidity	20 to 95 %, Non-condensing

SYSTEM REQUIREMENTS

Operating system and web browser

Operating system	Microsoft® Windows® 2000/XP
Processor	CPU : Intel® Pentium® IV, 1 GHz or higher
Memory	RAM : 256 MB or more
Web browser	Internet Explorer Ver. 5.5 or 6.0

Notes: You should keep in mind that the images or audio you are monitoring may be protected by privacy and other legal rights, and the responsibility for making sure you are complying with applicable laws is yours alone. Access to the images and audio is protected only by a user name and the password you set up. No further authentication is provided nor should you presume that any other protective filtering is done by the service. Since the service is Internet-based, there is a risk that the image or audio you are monitoring can be viewed or used by a third-party via the network.

Distributed by



© 2005 Sony Corporation. All rights reserved.
Reproduction in whole or in part without written permission is prohibited.
Features and specifications are subject to change without notice.
All non-metric weights and measurements are approximate.
Some images in this catalog are simulated.
Sony is a registered trademark of Sony Corporation.
IPELA is a trademark of Sony Corporation.
All other trademarks are the property of their respective owners.