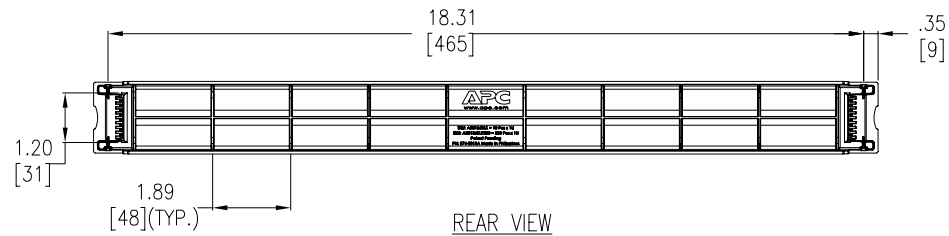
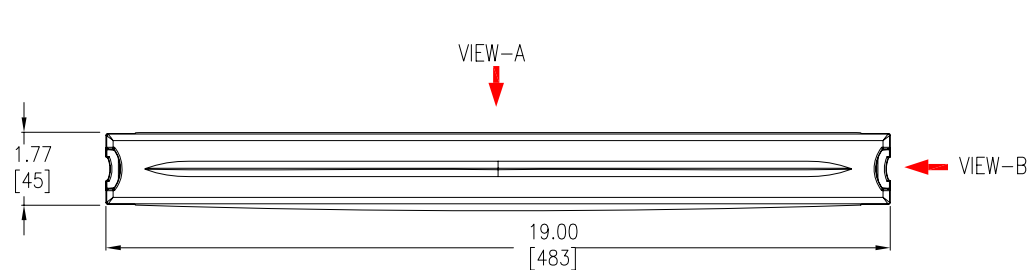
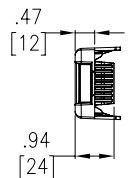


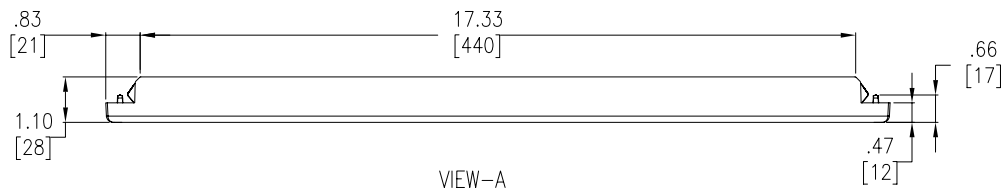
# SKU DETAILS



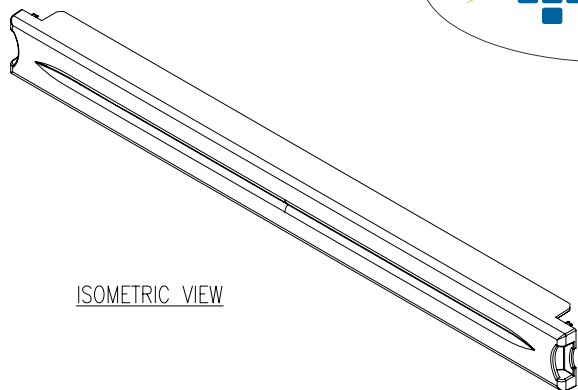
FRONT VIEW



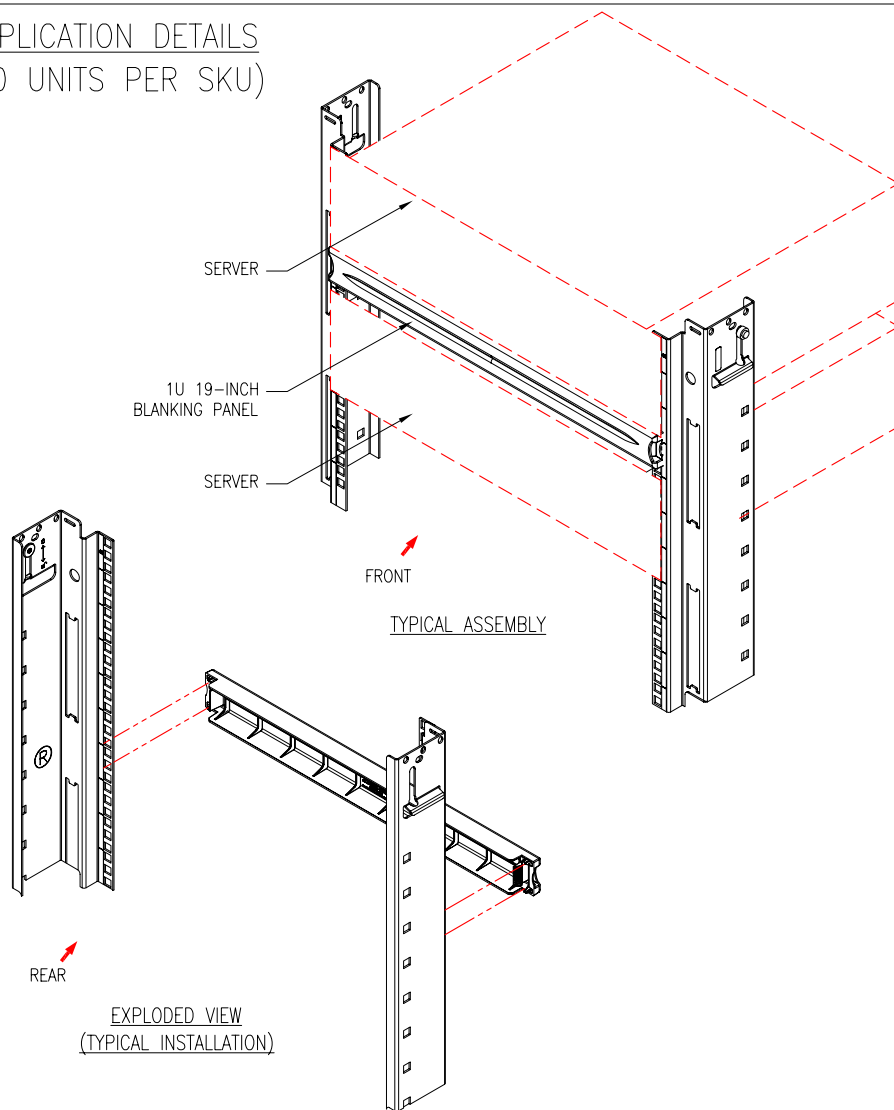
VIEW-B



VIEW-A



## APPLICATION DETAILS (10 UNITS PER SKU)



### NOTES:

1. INSTALLATION MUST COMPLY WITH ALL APPLICABLE NATIONAL AND LOCAL CODES.
2. PLEASE REFER TO APC PRODUCT MANUAL FOR DETAILS.
3. ALL DIMENSIONS ARE IN INCHES [MILLIMETERS].
4. WEIGHT OF UNIT IS 0.20 LBS [0.09 kg].

THIS DRAWING AND SPECIFICATIONS HEREIN ARE THE PROPERTY OF AMERICAN POWER CONVERSION AND SHALL NOT BE COPIED, REPRODUCED OR USED IN WHOLE OR IN PART, AS THE BASIS FOR THE MANUFACTURE OR SALE OF ITEMS WITHOUT WRITTEN PERMISSION FROM APC. THIS DRAWING IS BASED UPON LATEST AVAILABLE INFORMATION AND IS SUBJECT TO CHANGE WITHOUT NOTICE.



TITLE:  
1U 19-INCH BLACK MODULAR TOOLLESS  
AIRFLOW MANAGEMENT BLANKING PANEL  
MECHANICAL

PROJECT: SUBMITTAL DRAWINGS SHEET 1 OF 1

DWG NO: AR8136ABLK  
DRAWN: K.NAGENDRA 03-JAN-08  
ENGINEER: M.UHRHAN/B.OLIVER 03-JAN-08  
APPROVED: B.SHERIDAN/E.SILVA/C.LARSEN/S.WACH 03-JAN-08

REV: 0  
ANGLE PROJECTION  
N.A.