

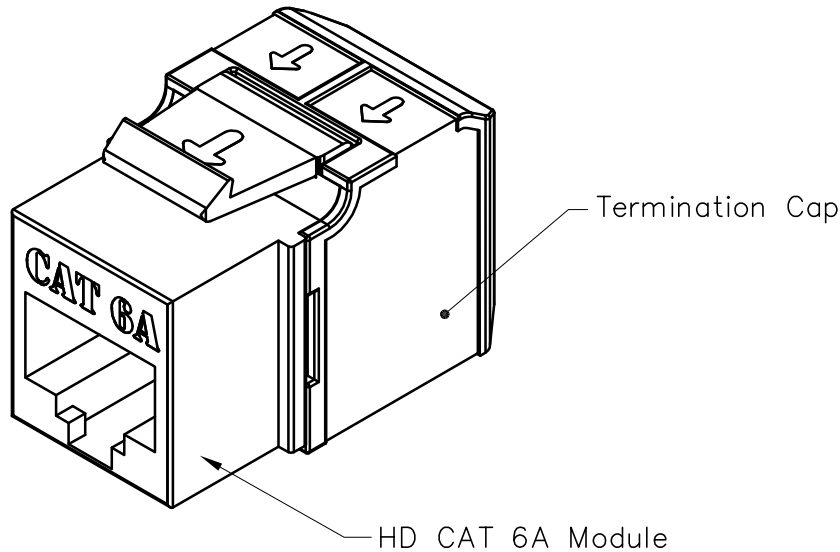
8P8C High Density Category 6A Module

PRODUCT SPECIFICATION



Package includes:

- A. 8P8C HD Category 6A Module, 1 pc
- B. Shielded Termination Cap, 1 pc
- C. Installation Instructions, 1 sheet



Features and Benefits:

- CAT 6A rated connectors provide excellent performance for data networks requiring maximum speed and bandwidth
- PCB technology provides maximum performance and superior signal quality
- Enhanced crosstalk cancellation reduces return loss and improves performance by rejecting noise and unwanted signals
- Engineered to provide 110 IDC termination reducing installation time
- Used with ICC punch down tool ICACSPDT00
- Includes an integrated TIA-568A/B color wiring diagram
- Reduced rear footprint that allows for greater connectivity density
- Compatible with ICC CAT6A 24 port blank patch panels, ICMPP0246A
- UL listed

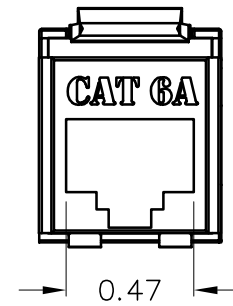
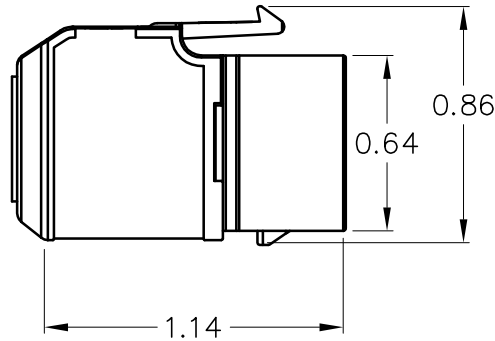
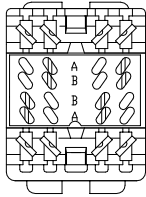
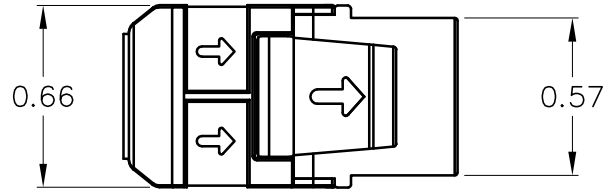
MODULE, CAT 6A, HD

ITEM NO. IC1078GAXX
 DWG NO. PS1078GA00

REV. B
 PAGE NO. 1



CUSTOMER CARE / TECHNICAL SUPPORT * CSR@ICC.COM / 888-ASK-4-ICC (275-4422) * Phone 562-356-3111 * Fax 562-356-3100 * www.icc.com



T568B WIRING

1	WHITE/ORANGE
2	ORANGE
3	WHITE/GREEN
4	BLUE
5	WHITE/BLUE
6	GREEN
7	WHITE/BROWN
8	BROWN

T568A WIRING

1	WHITE/GREEN
2	GREEN
3	WHITE/ORANGE
4	BLUE
5	WHITE/BLUE
6	ORANGE
7	WHITE/BROWN
8	BROWN

NOTE: UNLESS OTHERWISE SPECIFIED

1. CAT 6A MODULE:


A. MATERIAL:

- FRONT HOUSING: ABS, UL 94V-0
- REAR HOUSING: PC 94V0
- JACK WIRING: 50 MICRO INCHES OF GOLD OVER 100 INCHES OF NICKEL
- CONNECTOR: INSULATION DISPLACEMENT CONNECTOR (IDC)
ACCEPTS 23~24 AWG SOLID WIRE

B. COLORS: XX = BL-BLUE & WH-WHITE

2. SHIELDED TERMINATION CAP:

- A. MATERIAL: SPCC
- B. COLOR: BLACK

MODULE, CAT 6A, HD		 Premium Products <i>Proven Performance</i> Competitive Prices	
ITEM NO.	IC1078GAXX		REV. B
DWG NO.	PS1078GA00	PAGE NO.	2