

Program Distribution Panel MODEL V-PDP

FEATURES:

- Auxiliary/Music Inputs
- Programmable Pushbutton Inputs
- Bass/Treble/Volume Controls
- Microphone Jack
- Selectable Monitor Speaker
- Front Panel RCA Connector
- Terminal Strip Access Of 8 Relay Outputs
- Administrative Port Access



DESCRIPTION:

The V-PDP allows connection of up to three (3) audio sources, microphone, five pushbuttons inputs for various system functions and eight (8) programmable relay outputs.

SPECIFICATIONS

POWER REQUIREMENTS:

Powered by the V-CPU4

ENVIRONMENT:

-4 degrees to +131 degrees F (-20 to +55 C)

Humidity 0 to 95% Non-Condensing

DIMENSIONS AND WEIGHT

5.25" (13.24 cm) H x 19.0" (48.3 cm)L x 3.0" (7.62 cm) D

Weight: 6.0 lbs (2.72 kg)



MultiPath is a registered Trademark of Valcom, Inc.

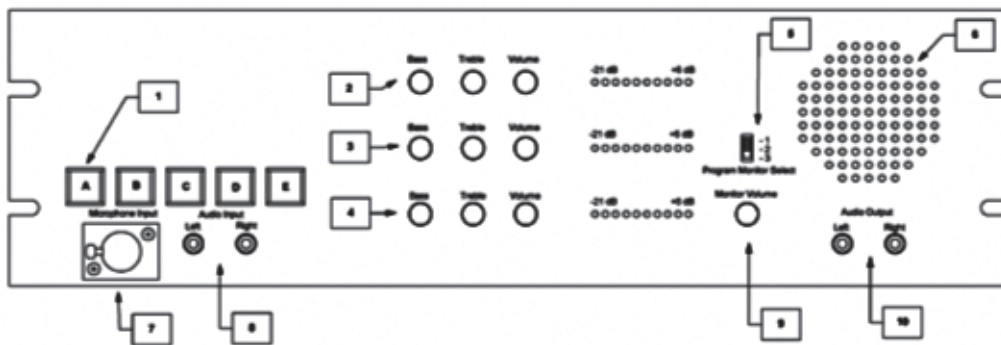
ARCHITECTS' AND ENGINEERS' SPECIFICATIONS MODEL V-PDP PROGRAM DISTRIBUTION PANEL

The V-PDP is a convenient user interface for the Valcom MultiPath/Class Connection™ system that allows easy access to all V-CPU4 inputs and outputs. The V-PDP shall be used as the sole interface to the V-CPU4 or can be used in conjunction with a 66-type connection block to allow dual point I/O access.

The V-PDP shall buffer audio signals from radios, cassette players, CD players, etc., before the signal is fed into the Auxiliary Inputs of the V-CPU4 board. The V-PDP shall permit adjusting the treble, bass, and volume of each source and monitoring the source at the panel. The panel shall be equipped with five pushbuttons, which may be programmed for various system functions, and a microphone jack for attaching an external low impedance microphone. The rear of the panel shall provide access to the four administration ports and screw terminal connections to the programmable relays on the V-CPU4 board.

The V-PDP shall be provided with a 25 pair cable terminated with a female amphenol connector that allows it to plug directly into the V-CPU4 board. The cables that were originally connected to the V-CPU4 board are then connected to the rear of the V-PDP. The V-PDP shall be powered through the 25 pair cable to the V-CPU4 board.

The V-PDP should be mounted in the rack with the MultiPath/Class Connection head end equipment. If remote mounting is required, consideration must be given to microphone and office telephone port connections.



- | | |
|--|---|
| <p>1 Manual Emergency Buttons - Default Settings: (Consult Programming Section to change setting). A - FIRE Tone, B - TORNADO Tone, C - EMERGENCY Tone, D - ALL CLEAR Tone, E - MICROPHONE/ALL CALL PAGE Tone</p> <p>2 Program 1 Source Bass, Treble, And Volume Controls. VU level - Indicated program audio level.</p> <p>3 Program 2 Source Bass, Treble, And Volume Controls. VU level - Indicated program audio level.</p> <p>4 Program 3 Source Bass, Treble, And Volume Controls. VU level - Indicated program audio level.</p> | <p>5 Monitor Select Switch - Allow selection of one of the three programs for monitoring purposes.</p> <p>6 Monitor Speaker provides audio of the selected program (can be changed by moving the selector switch).</p> <p>7 Microphone Input - Provides mic input for external all call.</p> <p>8 Audio Input Jacks - Provides facilities to input auxiliary program source.</p> <p>9 Volume Control for Monitor Speaker - Sets monitor volume for selected program.</p> <p>10 Audio Output Jacks - Permits connection of external amplifier/monitor.</p> |
|--|---|

Limited Warranty

Valcom, Inc. warrants its products to be free from defects in materials and workmanship under conditions of normal use and service for a period of one year from the date of shipment. The obligation under this warranty shall be limited to the replacement, repair or refund of any such defective device within the warranty period, provided that:

1. inspection by Valcom, Inc. indicates the validity of the claim,
2. the defect is not the result of damage, misuse, or negligence after the original shipment,
3. the product has not been in any way repaired by others and that factory sealed units are unopened.
(A service charge plus parts and labor will be applied to units defaced or physically damaged).
4. freight charges for the return of products to Valcom, Inc. are prepaid,
5. all units "out of warranty" are subject to a service charge. The service charge will cover minor repairs
(major repairs will be subject to additional charges for parts and labor).

This warranty is in lieu of and excludes all other warranties expressed or implied, and in no event shall Valcom, Inc. be liable for any anticipated profits, consequential damages, loss of time or other losses incurred by the buyer in connection with the purchase, operation or use of the product.

This warranty specifically excludes damage incurred in shipment. In the event a product is received in damaged condition, the carrier should be notified immediately. Claims for such damage should be filed with the carrier involved in accordance with the F.O.B. point.

