

LMD-1410SC LMD-2010SC



LMD-1410SC



LMD-2010SC

OUTLINE

The Sony LMD-1410SC and LMD-2010SC are the latest LCD monitors designed to meet the critical requirements of security video monitoring. These monitors, offering superb picture quality and excellent performance, have been optimized to replace the Sony SSM-14L1 and SSM-20L1 line of video monitors.

Combining a slim and space-saving design with outstanding picture reproduction, these new LCD monitors are the ideal choice for your security monitoring applications.

FEATURES

High Picture Quality

Incorporating VGA-type LCD panels with 640 x 480 pixel resolution, these monitors reproduce precise and detailed images from a variety of video signals, including composite and Y/C. In addition, by using wide aperture LCD panels, these monitors provide high-brightness and high-contrast images.

Wide Viewing Angle

The LCD panels used on these displays offer a wide viewing angle of 170 degrees, both vertically and horizontally, with minimal reduction in picture contrast. This allows images to be viewed from various positions and angles.

Input Versatility

Equipped with three selectable video inputs including analog composite, Y/C (S-Video), and RGB/component, these monitors can accept signals from a number of cameras and recorders.

Monaural Audio Monitoring

These monitors are equipped with a speaker, which enables the user to monitor audio.

Convenient Installation

These monitors can be mounted in a 19-inch EIA standard rack using an optional mounting bracket. Also, because they comply with VESA standards, these monitors can easily be mounted (100 x 100 mm pitch) on a wall or a ceiling.

Slim and Light

Because of its thin and lightweight design, these monitors are ideal for installations where space is limited.

Protected Controls

The key-inhibit function helps prevent inadvertent operations from the control panel.

Color Temperature/Gamma Selection

High/low color temperatures or user preset can be selected.

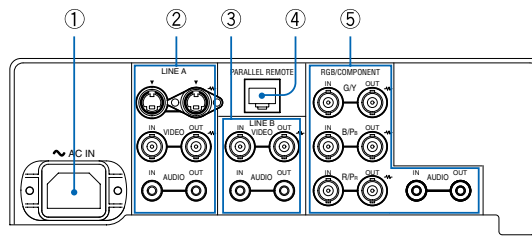
Remote Control via Parallel I/F

4:3/16:9 Switchable Aspect Ratio

SPECIFICATIONS

	LMD-1410SC	LMD-2010SC
Picture Performance		
Type	A-Si TFT Active Matrix LCD	
Resolution	640 x 480 dots	
Pixel efficiency	99.99%	
Dot pitch	0.443 x 0.443 mm	0.213 x 0.638 mm
Picture Size (H x W) (Viewable area)	Approx. 283 x 212 mm (Approx. 11 1/4 x 8 3/8 inches)	Approx. 408 x 306mm (Approx. 16 1/8 x 12 1/8 inches)
(Diagonal)	354 mm (14-inch)	510 mm (20.1-inch)
Aspect	4:3/16:9 switchable	
Colors	Approx. 16,200,000 colors	Approx. 16,700,000 colors
Viewing Angle	85°/85°/85°/85° (typical) (up/down/left/right contrast>10:1)	
Input		
Line A	Composite	BNC x 1, 1.0 Vp-p ±3 dB 75 Ω termination, sync 0.3 Vp-p negative
	Y/C	DIN 4 pin x 1 Y: 1.0Vp-p ±3 dB, 75 Ω termination C: 0.286 Vp-p ±3 dB (NTSC), 0.3 Vp-p ±3 dB (PAL), 75 Ω termination, sync 0.3 Vp-p negative
	Audio in	RCA pin x 1, -5 dBu 47 Ω or higher
Line B	Composite	BNC x 1, 1.0 Vp-p ±3dB 75 Ω termination, sync 0.3 Vp-p negative
	Audio in	RCA pin x 1, -5 dBu 47 Ω or higher
RGB/Component	RGB/Component	BNC x 3, 0.7 Vp-p ±3 dB 75 Ω termination, Sync on Green 0.3Vp-p, negative
	Audio in	RCA pin x 1, -5 dBu 47 Ω or higher
	Remote	Parallel remote
Output		
Line A	Composite	BNC x 1, Loop-through, with 75 Ω automatic termination
	Y/C	DIN 4 pin x 1, Loop-through, with 75 Ω automatic termination
	Audio out	RCA pin x 1
Line B	Composite	BNC x 1, Loop-through, with 75 Ω automatic termination
	Audio out	RCA pin x 1, Loop-through
RGB/Component	RGB/Component	BNC x 3, Loop-through, with 75 Ω automatic termination
	Audio out	RCA pin x 1, Loop-through
	General	
Power Consumption	Approx. 48 W	Approx. 84 W
Power requirement	AC 100 to 240 V, 50/60 Hz	
Operating Temperature	0 to 35 °C	
Operating Humidity	30 to 85% (Non-condensing)	
Storage & Transport Temperature	-10 to 40 °C	
Storage & Transport Humidity	0 to 90 %	
Operating/Storage/Trans. Pressure	700 to 1060 hPa	
Dimensions (W x H x D)		
Dimension	Approx. 343 x 354 x 264 mm (13 5/8 x 14 x 10 1/2 inch)	Approx. 470 x 441 x 264 mm (18 5/8 x 17 3/8 x 10 1/2 inch)
Dimension without stand	Approx. 343 x 304 x 87mm (13 5/8 x 12 1/2 inch)	Approx. 470 x 394 x 87mm (18 5/8 x 15 5/8 x 3 1/2 inch)
Mass	Panel & Stand	Approx. 6.5 Kg (14 lb 5 oz)
	Panel only	Approx. 4.8 kg (10 lb 9 oz)
Supplied Accessories	AC power cord, AC plug holder, Operating Instructions, CD-ROM, "Using the CD-ROM Manual" booklet, Warranty card	

CONNECTOR PANEL



(LMD-1410SC/LMD-2010SC)

- ① AC IN socket
- ② LINE A [composite (BNC), Y/C (4 pin mini-DIN), AUDIO (RCA pin)]
- ③ LINE B [composite (BNC), AUDIO (RCA pin)]
- ④ PARALLEL REMOTE (modular connector)
- ⑤ RGB/COMPONENT (BNC), AUDIO (RCA pin)

OPTIONAL ACCESSORIES

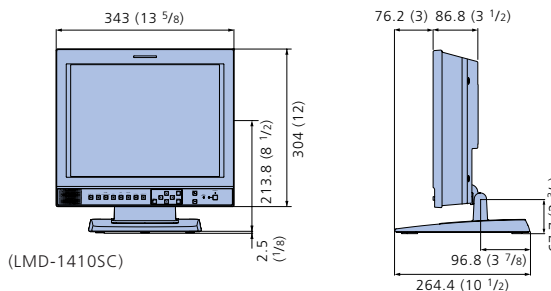


- **MB-526**
Mounting Bracket
(for LMD-1410SC)

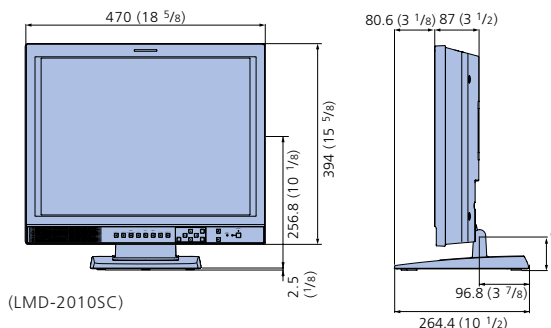


- **MB-527**
Mounting Bracket
(for LMD-2010SC)

DIMENSIONS



(LMD-1410SC)



(LMD-2010SC)

Unit: mm (inches)

Distributed by



©2005 Sony Corporation. All rights reserved.
 Reproduction in whole or in part without permission is prohibited.
 Features and specifications are subject to change without notice.
 All non-metric weights and measurements are approximate.
 Sony is a registered trademark of Sony Corporation.
 VESA is a trademark of the Video Electronics Standards Association.
 VGA is a registered trademark of International Business Machines Corporation, U.S.A.
 All other trademarks are the property of their respective owners.