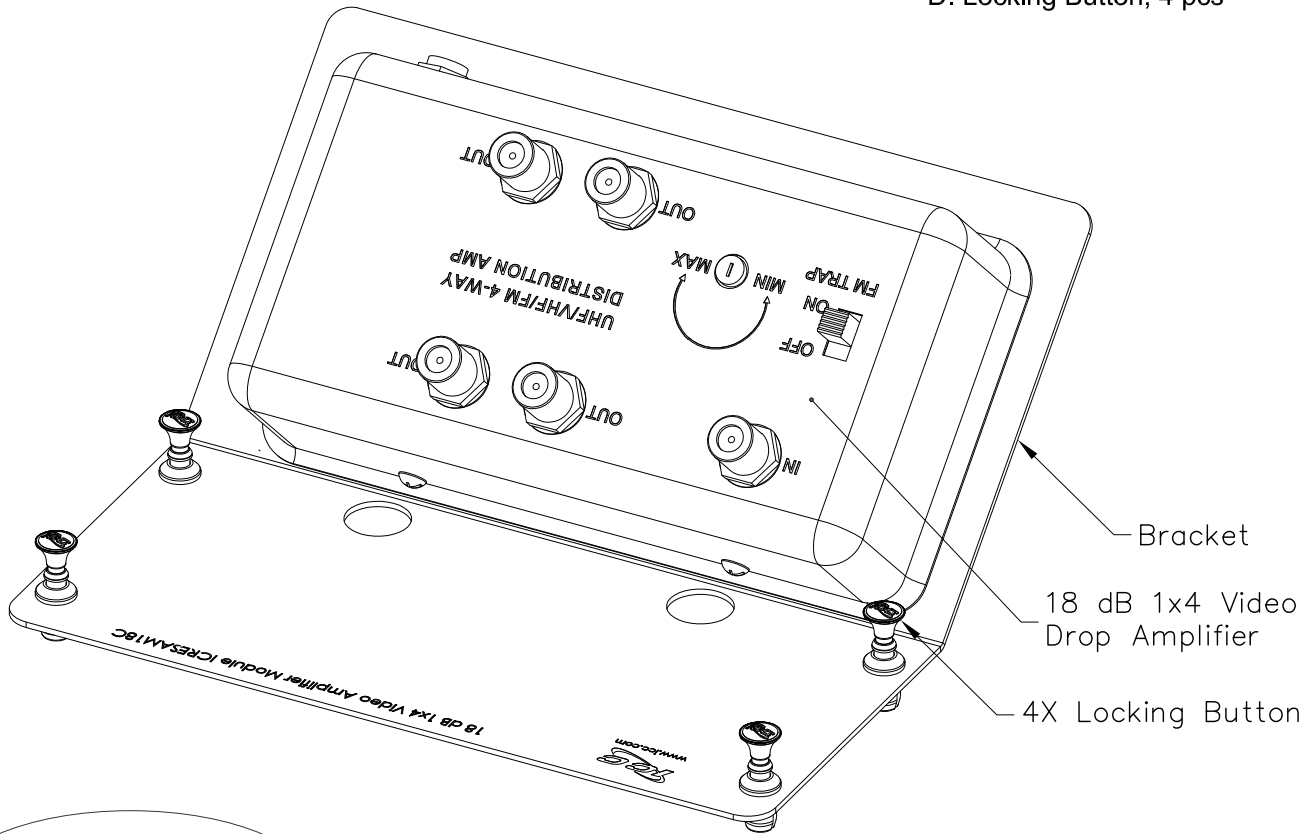


18 dB 1x4 Video Drop Amplifier Resi Module

PRODUCT SPECIFICATION

Package includes:

- A. 18 dB 1x4 Video Drop Amplifier, 1 pc
- B. 120 VAC Power Supply, 1 pc
- C. Bracket, 1 pc
- D. Locking Button, 4 pcs



Features and Benefits:

- Designed to provide a low noise level and 18 dB gain with a 50 to 900 MHz bandwidth
- Designed with 1 input and 4 outputs
- Recommended to be installed between the incoming signal source and the video splitter input connector
- Used with all ICRESAV video splitter modules
- Fits all ICRESDC 14", 21", 28", and 42" resi distribution center enclosures with the 4 locking buttons

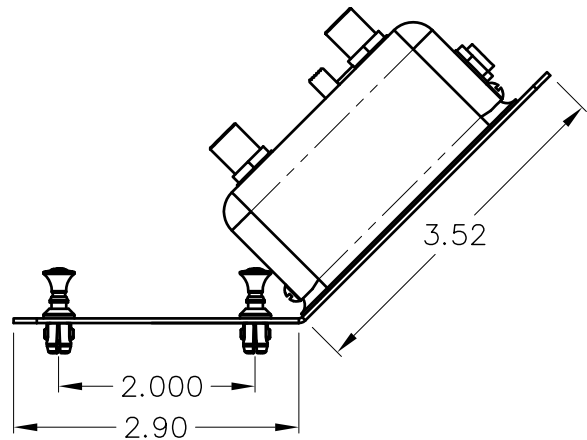
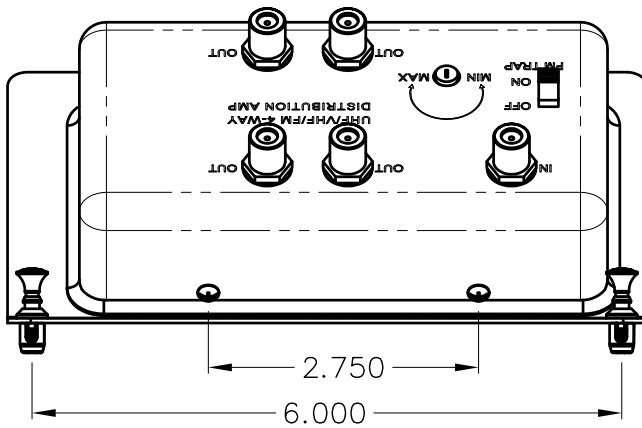
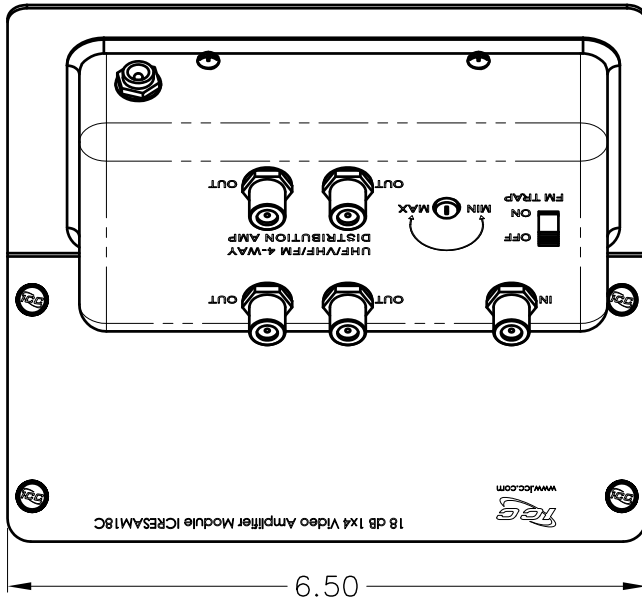
RESI MODULE, VIDEO AMPLIFIER, 1X4, 18 DB

ITEM NO.	ICRESAM18C
DWG NO.	PSRESAM18C

REV.	A
PAGE NO.	1




CUSTOMER CARE / TECHNICAL SUPPORT * CSR@ICC.COM / 888-ASK-4-ICC (275-4422) * 16800 Edwards Road, Cerritos, CA 90703 * Phone 562-356-3111 * Fax 562-356-3100 * www.icc.com



NOTE: UNLESS OTHERWISE SPECIFIED

- 1. 1X4 VIDEO DROP AMPLIFIER:
 - A. HOUSING: NICKEL-IRON ALLOY WITH CHROME PLATING
 - B. CONNECTORS: F-TYPE FEMALE
 - C. FREQUENCY RANGE: 50 ~ 900 MHZ
 - D. GAIN FORWARD: 18 dB
- 2. BRACKET:
 - A. MATERIAL: 18 GA CRS
 - B. SURFACE FINISH: WHITE POWDER COAT
- 3. LOCKING BUTTON: MATERIAL: NYLON 6/6, UL 94V-0



RESI MODULE, VIDEO AMPLIFIER, 1X4, 18 DB		 PremiumProducts ProvenPerformance CompetitivePrices	
ITEM NO.	ICRESAM18C		REV. A
DWG NO.	PSRESAM18C		PAGE NO. 2

CUSTOMER CARE / TECHNICAL SUPPORT * CSR@ICC.COM / 888-ASK-4-ICC (275-4422) * 16800 Edwards Road, Cerritos, CA 90703 * Phone 562-356-3111 * Fax 562-356-3100 * www.icc.com