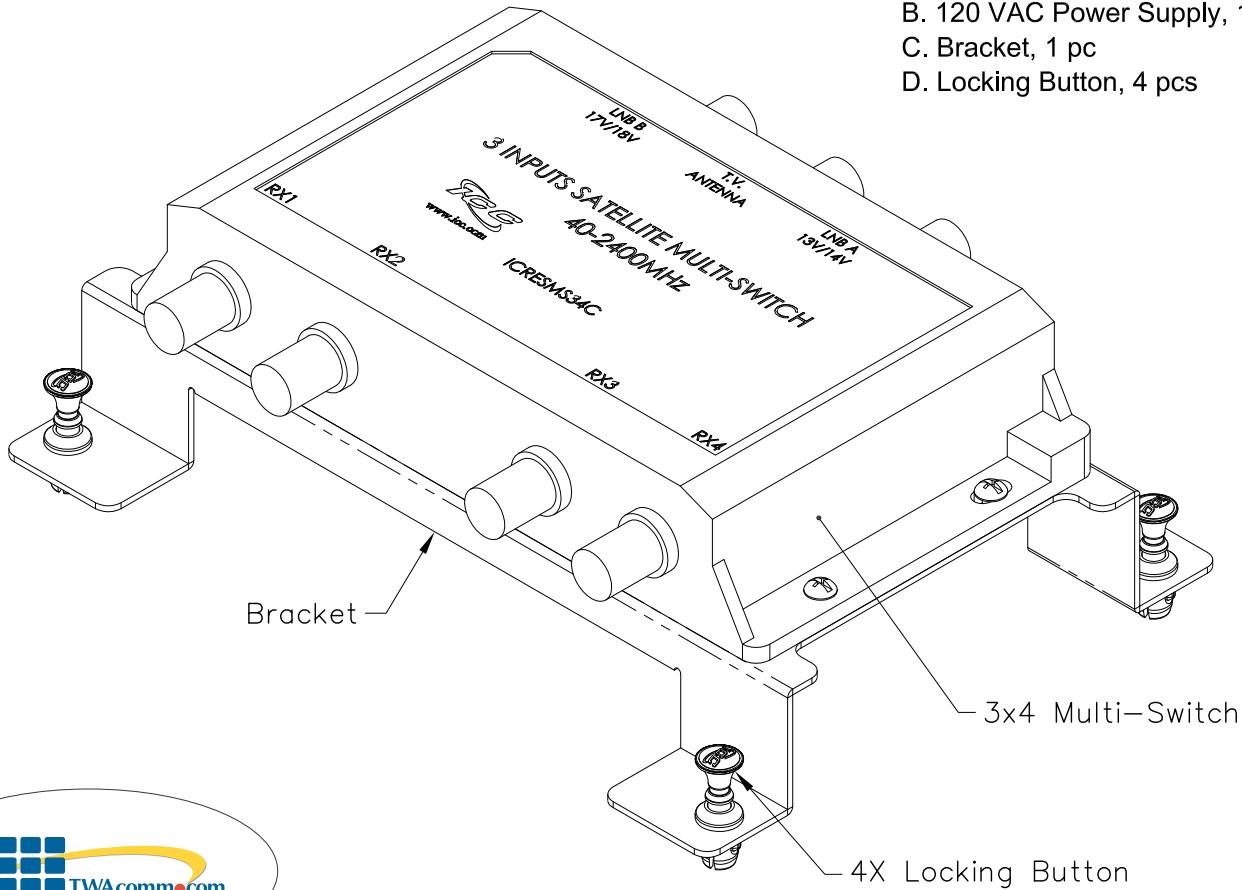


2 GHz 3x4 Multi-Switch Resi Module

PRODUCT SPECIFICATION

Package includes:

- A. 3x4 Multi-Switch, 1 pc
- B. 120 VAC Power Supply, 1 pc
- C. Bracket, 1 pc
- D. Locking Button, 4 pcs



Features and Benefits:

- Designed to allow for the connection up to 2 satellite receivers using a dual low noise block (LNB) satellite dish, plus CATV or a TV antenna
- Capable of distributing signals up to 4 locations
- DC power pass from satellite receiver to LNB with input frequency from 40 to 2400 MHz
- Requires to use with a diplexer
- Used with all ICRESAV video splitter modules and ICRESAM25C/ICRESAM18C drop amplifier module if needed
- Fits all ICRESDC 14", 21", 28", and 42" resi distribution center enclosures with the 4 locking buttons

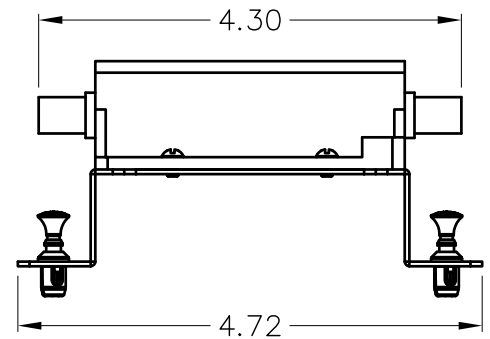
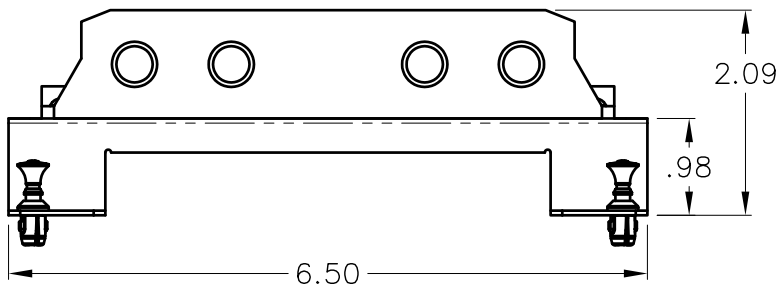
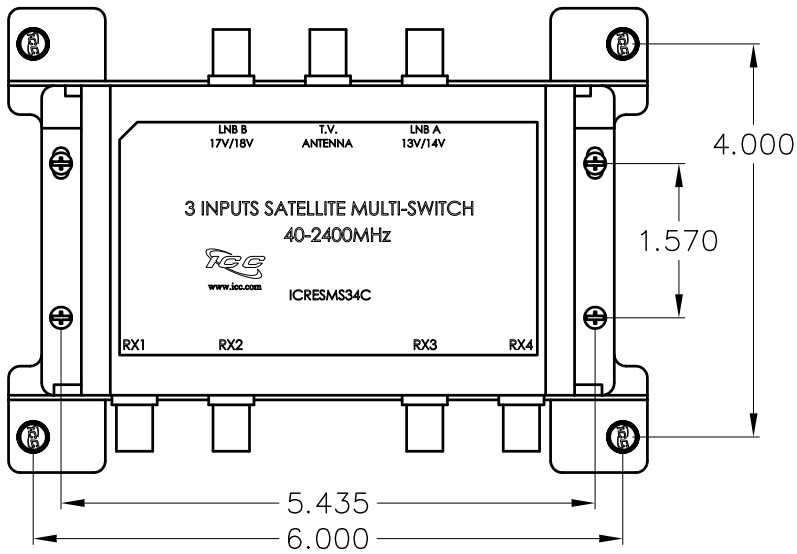
RESI MODULE, MULTI-SWITCH, 3X4, 2 GHz

ITEM NO. ICRESMS34C
 DWG NO. PSRESMS34C

REV. A
 PAGE NO. 1




CUSTOMER CARE / TECHNICAL SUPPORT * CSR@ICC.COM / 888-ASK-4-ICC (275-4422) * 16800 Edwards Road, Cerritos, CA 90703 * Phone 562-356-3111 * Fax 562-356-3100 * www.icc.com



NOTE: UNLESS OTHERWISE SPECIFIED

- 1. 3X4 MULTI-SWITCH:
 - A. HOUSING: ZINC ALLOY WITH NICKEL PLATING
 - B. CONNECTORS: F-TYPE FEMALE
 - C. INPUTS: 2 LNB, 1 ANTENNA/CATV
 - D. FREQUENCY RANGE: 40 ~ 2400 MHZ
- 2. BRACKET:
 - A. MATERIAL: 18 GA CRS
 - B. SURFACE FINISH: WHITE POWDER COAT
- 3. LOCKING BUTTON: MATERIAL: NYLON 6/6, UL 94V-0



RESI MODULE, MULTI-SWITCH, 3X4, 2 GHZ		 PremiumProducts ProvenPerformance CompetitivePrices	
ITEM NO.	ICRESMS34C		REV. A
DWG NO.	PSRESMS34C		PAGE NO. 2

CUSTOMER CARE / TECHNICAL SUPPORT * CSR@ICC.COM / 888-ASK-4-ICC (275-4422) * 16800 Edwards Road, Cerritos, CA 90703 * Phone 562-356-3111 * Fax 562-356-3100 * www.icc.com