

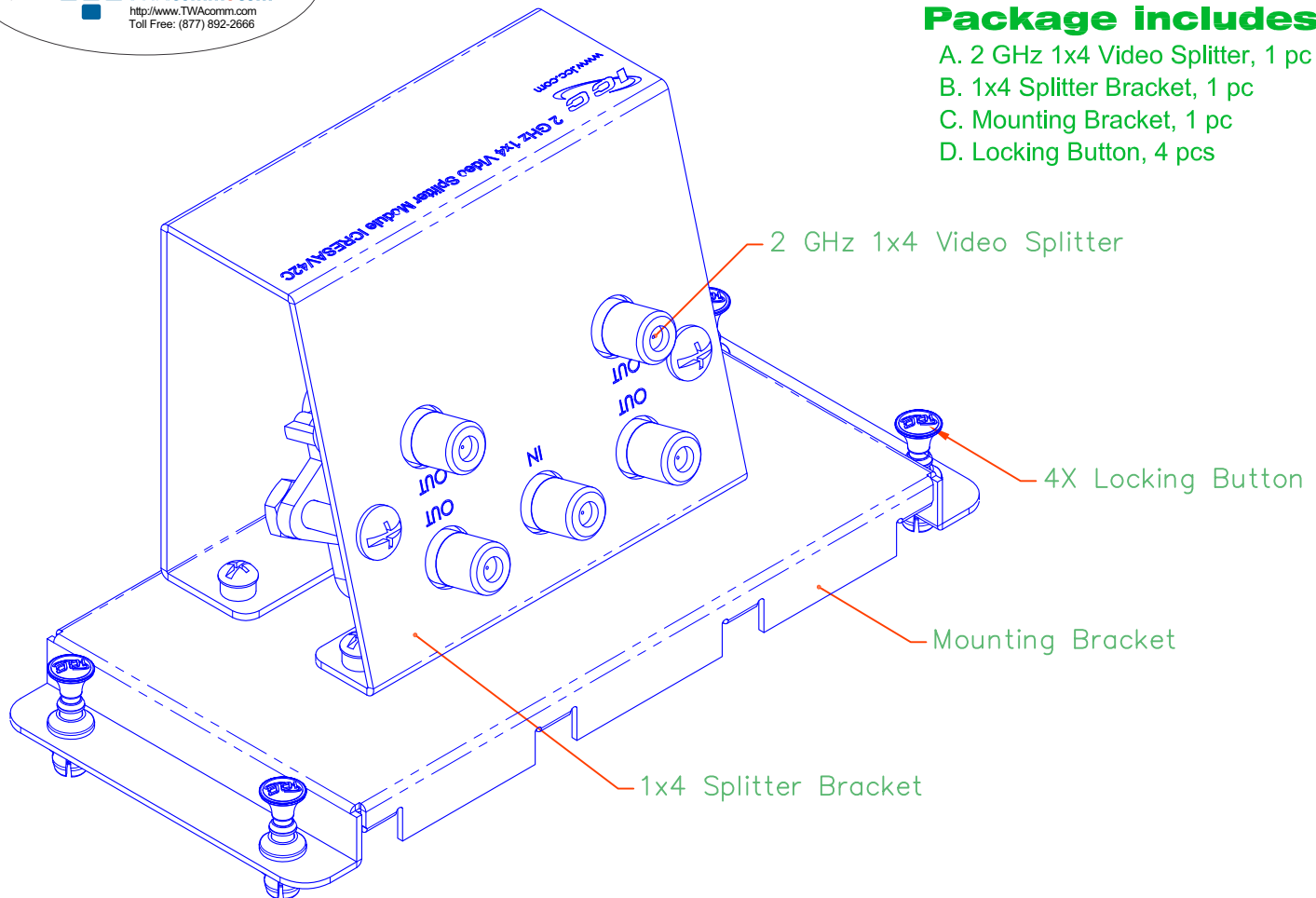
2 GHz 1x4 Video Splitter Resi Module

PRODUCT SPECIFICATION



Package includes:

- A. 2 GHz 1x4 Video Splitter, 1 pc
- B. 1x4 Splitter Bracket, 1 pc
- C. Mounting Bracket, 1 pc
- D. Locking Button, 4 pcs



Features and Benefits:

- Designed to provide excellent signal quality for splitting HDTV, satellite, cable, UHF/VHF, antenna, or security system signals up to 4 locations with the frequency bandwidth from 5 to 2300 MHz
- Ideal for home or small office use
- Used with ICRESAM25C or ICRESAM18C drop amplifier resi module installed between the signal source and the splitter input connector to compensate for splitter insertion loss and to ensure adequate incoming signal levels if needed
- Used with ICRDSTC75F F-type termination cap to prevent signal degradation
- Fits all ICRESDC 14", 21", 28", and 42" resi distribution center enclosures with the 4 locking buttons

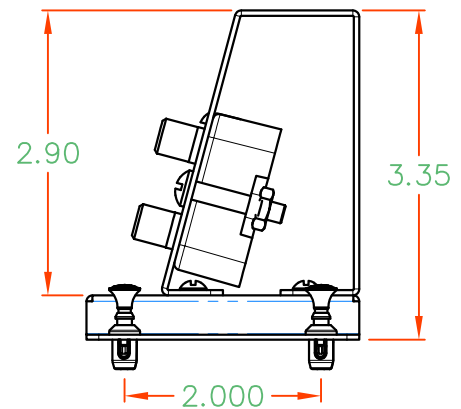
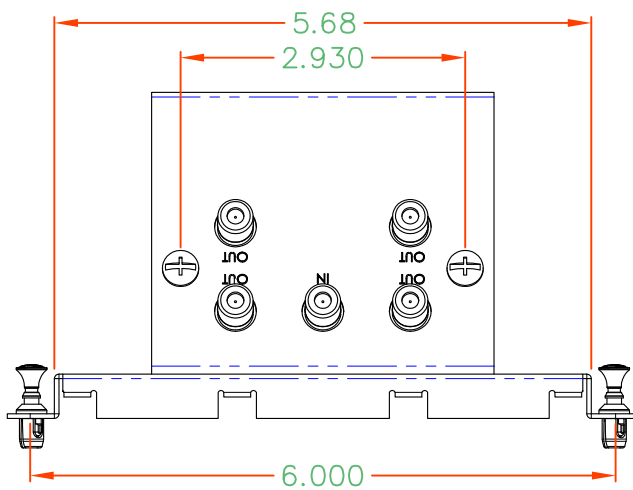
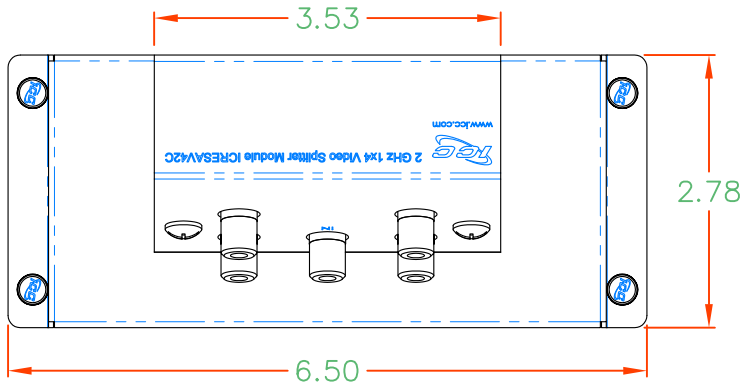
RESI MODULE, VIDEO SPLITTER, 1X4, 2 GHz

ITEM NO. ICRESAV42C
 DWG NO. PSRESAV42C

REV. B
 PAGE NO. 1



CUSTOMER CARE / TECHNICAL SUPPORT * CSR@ICC.COM / 888-ASK-4-ICC (275-4422) * 16800 Edwards Road, Cerritos, CA 90703 * Phone 562-356-3111 * Fax 562-356-3100 * www.icc.com



NOTE: UNLESS OTHERWISE SPECIFIED

1. 1X4 VIDEO SPLITTER:
 - A. HOUSING: DIE-CASTING WITH NICKEL PLATING
 - B. CONNECTORS: F-TYPE FEMALE
 - C. FREQUENCY RANGE: 5 ~ 2300 MHZ
 - D. INSERTION LOSS: 11 dB TYPICAL
2. 1X4 SPLITTER BRACKET:
 - A. MATERIAL: 18 GA CRS
 - B. SURFACE FINISH: WHITE POWDER COAT
3. MOUNTING BRACKET:
 - A. MATERIAL: 18 GA CRS
 - B. SURFACE FINISH: WHITE POWDER COAT
4. LOCKING BUTTON: MATERIAL: NYLON 6/6, UL 94V-0



RESI MODULE, VIDEO SPLITTER, 1X4, 2 GHZ

ITEM NO. ICRESAV42C
 DWG NO. PSRESAV42C

REV. B
 PAGE NO. 2



CUSTOMER CARE / TECHNICAL SUPPORT * CSR@ICC.COM / 888-ASK-4-ICC (275-4422) * 16800 Edwards Road, Cerritos, CA 90703 * Phone 562-356-3111 * Fax 562-356-3100 * www.icc.com