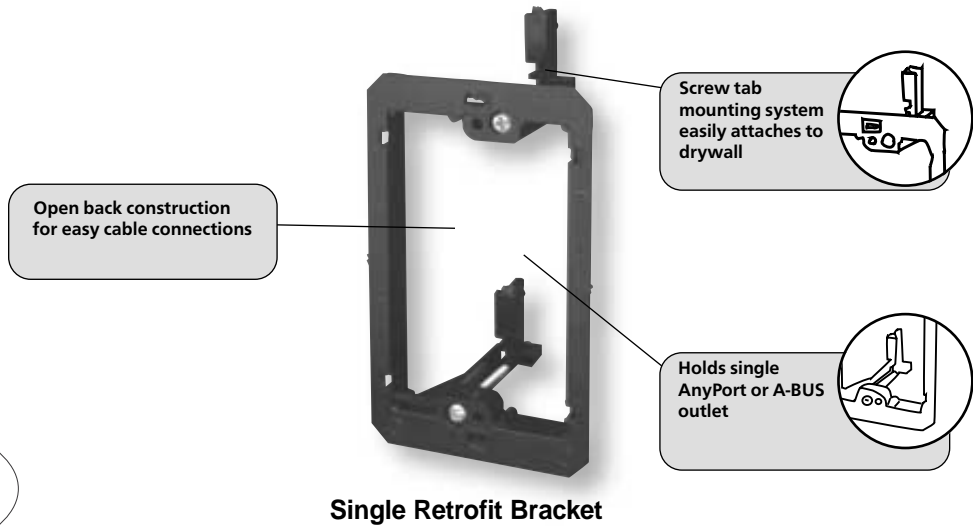
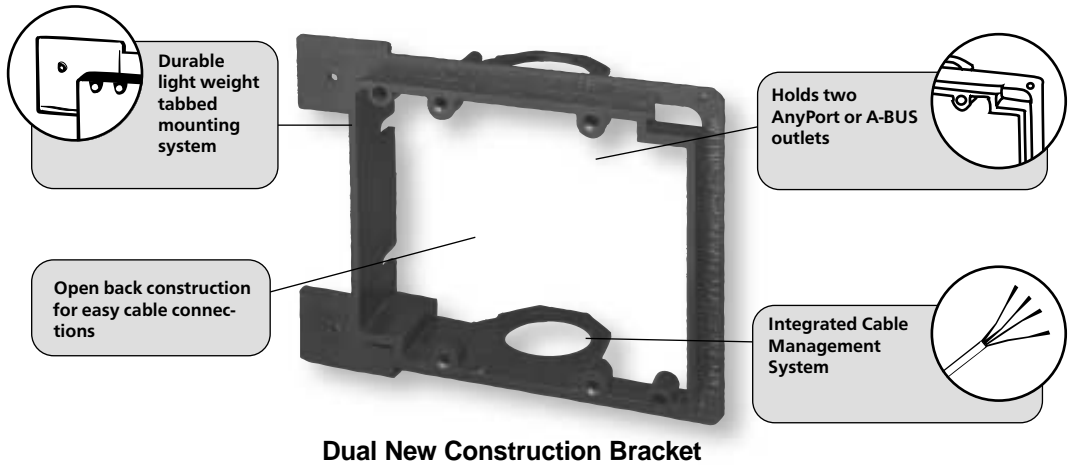


OnQ INSTALLATION BRACKETS

PRODUCT FACTS

- ▲ Designed for use with AnyPort wall plates, A-BUS volume controls, and OnQ Impedance Matching volume controls.
- ▲ Single and dual sizes for new and retrofit applications
- ▲ Integrated cable management system
- ▲ Flexible plastic retains shape for ease of alignment during installation.



Mud Ring, New Construction, Single	NEW	Part Number
Designed for use with one AnyPort wall plate outlet, A-BUS volume controls, or OnQ Impedance-Matching volume controls. Open back for easy cable connections.		364524-01
Mud Ring, New Construction, Dual	NEW	
Designed for use with two outlets allowing for multiple combinations of AnyPort wall plate outlets and A-BUS or Impedance-Matching volume controls. Open back and integrated cable management system for easy cable connections.		364524-02
Mud Ring, Retrofit, Single	NEW	
Designed for use with one AnyPort wall plate outlet, A-BUS or OnQ Impedance-Matching volume controls. Open back for easy cable connections. Screw hold down tabs allow outlet placement virtually anywhere on wall.		364525-01
Mud Ring, Retrofit, Dual	NEW	
Designed for use with two outlets allowing for multiple combinations of AnyPort wall plate outlets and A-BUS or Impedance-Matching volume controls. Open back for easy cable connections. Screw hold down tabs allow outlet placement virtually anywhere on wall.		364525-02