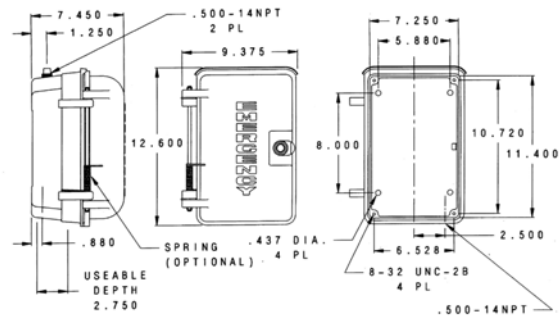


WEATHER BEATER WEATHERPROOF TELEPHONES



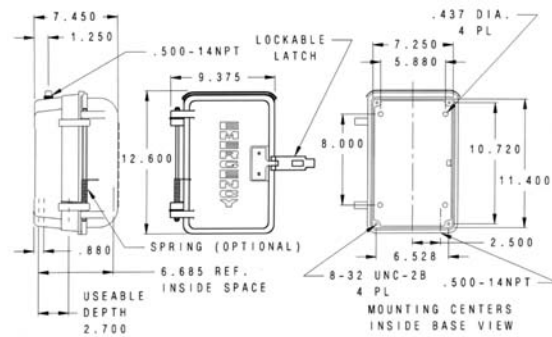
GB90 SERIES

Wt: Housing Only11 lb
Wt: e/w tel set14 lb



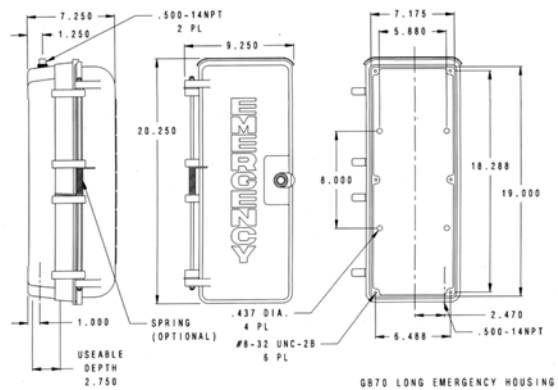
GB59 SERIES

Wt: Housing Only12 lb
Wt: e/w tel set15 lb

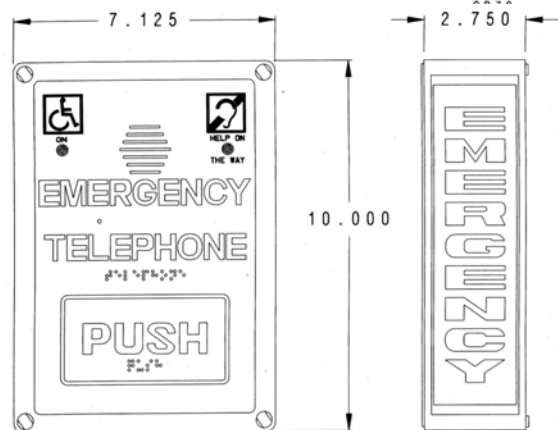


GB70 SERIES

Wt: Housing Only15 lb
Wt: e/w tel set20-21 lb



GB70 LONG EMERGENCY HOUSING WITH LOCK



GB32390 SERIES

Wt:5 lb

