



WEATHER BEATER WEATHERPROOF TELEPHONES



GB90H-04



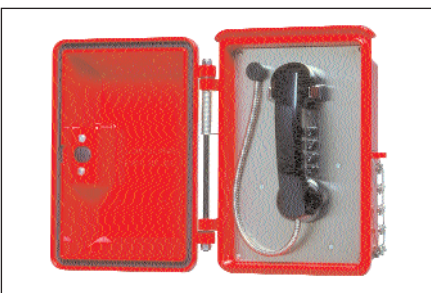
GB97VS02



GB94V02



GB5955H-02



GB259V02HM

ALLEN TEL PRODUCTS WEATHERPROOF TELEPHONES

Quality, reliability and durability - three reasons why AllenTel Weatherproof telephones have been successful for over 45 years. The housings are constructed of die cast aluminum and electrostatically deposited tough enamel finish. The hardware on the GB5955H housing includes a stainless steel hasp, which also will accept a padlock. The GB90 Series of telephones uses a newly designed housing incorporating either a push latch or a push key lock. All housings are e/w gaskets and the Legend Telephone. For available options see page 3. See page 4 for dimensions.

The variety of complete telephone models offered includes speaker phones and single line units using pulse, tone or automatic dialing. Replacement telephone sets less housings are available; see LH models in ordering information.

AllenTel's full line of Weatherproof/Emergency telephones are particularly suited for use on college campuses as well as airports, parking garages and industrial locations. Speakerphone models may not operate properly in an environment with high ambient noise levels. In those areas we recommend our handset models with an armored cord. In accordance with FCC regulations, all handsets furnished with AllenTel Weatherproof telephones are equipped with hearing aid compatible amplified receivers.

ORDERING INFORMATION



GB90 SERIES	GB5955 SERIES	DESCRIPTION
GB90H-XX	GB5955H-XX	Weatherproof Housing only
GB90VDXX	GB59VDXX	Single Line Pushbutton Pulse Dial e/w amplified receiver
GB90VNXX	GB59VNXX	No dial, can be used with auto ring down circuits e/w amplified receiver
GB90VSXX	GB59VSXX	Single-line, Programmable Single Number Dialer. Not Recommended for temperatures below 5jF (-20jC) see page 5 for multi-dial capabilities e/w amplified receiver
GB92VXX	GB259VXX	Single Line, Pushbutton Tone Dial e/w amplified receiver
GB94VXX	N/A	GB90H Housing e/w GB2554V44 - Mini-Wall Telephone Set e/w amplified receiver
GB97DXX	GB25900D-XX	Outdoor Speakerphone, Tone Dial, with Push to Operate Switch and 2-minute Disconnect
GB97N-XX	GB25900N-XX	Outdoor Speakerphone, No Dial, with 2-Minute Auto Disconnect, Momentary Push to Operate Switch
GB97SND-XX	GB25900SND-XX	Outdoor Speakerphone, 12-Digit Automatic Programmable Single Number Dialer and 2-Minute Auto Disconnect. Momentary Push to Operate Switch (For Tone Output ONLY). Not recommended for temperatures below 5jF (-20jC)

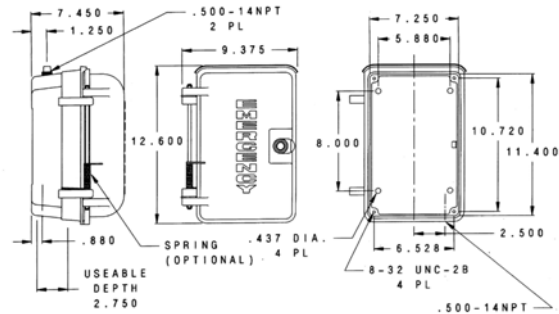
COLOR KEY: XX denotes housing color - 00 Black, 02 Red, 04 Yellow, 14 Gray. Other colors available on special order.

WEATHER BEATER WEATHERPROOF TELEPHONES



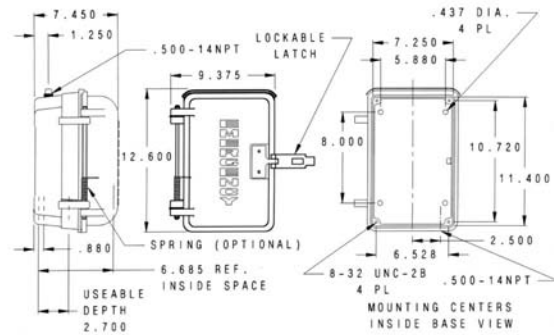
GB90 SERIES

Wt: Housing Only11 lb
Wt: e/w tel set14 lb



GB59 SERIES

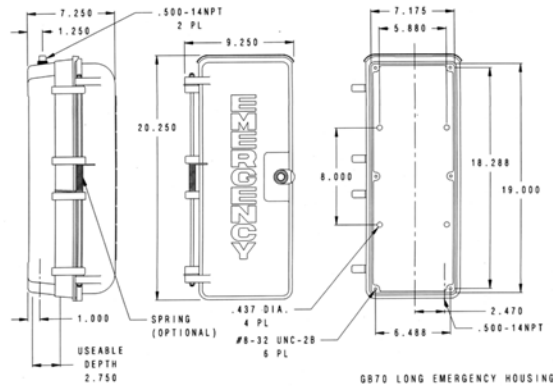
Wt: Housing Only12 lb
Wt: e/w tel set15 lb



5 lb

GB70 SERIES

Wt: Housing Only15 lb
Wt: e/w tel set20-21 lb



GB32390 SERIES

Wt:

