

Telephones

Outdoor Telephones

- Housings are constructed of die cast aluminum and electrostatically deposited enamel finish
- GB59 and GB259 Series of telephones are equipped with a stainless steel hasp, which will also accept a padlock
- All housings are equipped with gaskets and the logo "Telephone". Other logos are available upon request
- Complete telephone models offered include speakerphones and single line units using pulse, tone or automatic dialing
- All handsets are equipped with hearing aid compatible amplified receivers
- See Page 65 for options available for multi-dial features
- See Page 64 for telephone dimensions and weights
- Outdoor speakerphones are **not** recommended for temperatures below -5°F (-20°C)



GB5955H-02

Part Number	Tel Set less Housing	Part Description	Std. Pkg. Qty.	Std. Ctn. Qty.
GB5955H-XX	N/A	Outdoor housing only	1	1

XX Colors: 00-Black; 02-Red; 04-Yellow; 14-Grey Other colors available on special order



GB259V02HPM

Part Number	Tel Set less Housing	Part Description	Std. Pkg. Qty.	Std. Ctn. Qty.
GB59VDXX	GB59VD-LH	Single line, pushbutton pulse (rotary dial) equipped with amplified receiver	1	1
GB59VNXX	GB59VN-LH	No dial, can be used with auto ringdown circuits. Equipped with amplified receiver	1	1
GB59VSXX	GB59VS-LH	Single line, programmable single number dialer, equipped with amplified receiver	1	1
GB259VXX	GB259V-LH	Single line, pushbutton tone dial equipped with amplified receiver	1	1

XX Colors: 00-Black; 02-Red; 04-Yellow; 14-Grey Other colors available on special order



GB25900N-14

Part Number	Speakerphone less Housing	Part Description	Std. Pkg. Qty.	Std. Ctn. Qty.
GB25900D-XX	GB25900D-LH	Outdoor speakerphone, tone dial "Push to Operate" Switch and programmable disconnect	1	1
GB25900N-XX	GB25900N-LH	Outdoor speakerphone, no dial, "Push to Operate" Switch and programmable disconnect	1	1
GB25900SND-XX	GB25900N-XX	Outdoor speakerphone, programmable single number dialer, "Push to Operate" Switch and programmable disconnect	1	1

XX Colors: 00-Black; 02-Red; 04-Yellow; 14-Grey Other colors available on special order

GB59 and GB259 Series Options

Code	Description
H	14" Armored Cord
Y	"Emergency" Logo
L	Housing less Logo

Code	Description
T	Noise Canceling Transmitter
P	Spring Loaded Door
M	Metal Dial

Telephones

ADA Outdoor Telephones

- Housings are constructed of die cast aluminum and electrostatically deposited enamel finish
- Handset with 29" armored cord, amplified receiver, spring loaded door
- Braille labeling and ID tones
- Two LED lamps to indicate "on" and "help on the way"
- All housings are equipped with gaskets and the logo "telephone". Other logos available upon request.
- GB70H housing is equipped with a push latch which can be disengaged to meet local ADA requirements
- Outdoor speakerphones are **not** recommended for temperatures below -5°F (-20°C)
- See Page 64 for telephone dimensions and weights



GB70VS02

Part Number	Tel Set less Housing	Part Description	Std. Pkg. Qty.	Std. Ctn. Qty.
GB70H-XX	N/A	Outdoor housing only	1	1
GB70VNXX	GB70VN-LH	No dial, can be used with auto ringdown circuits, equipped with amplified receiver	1	1
GB70VSXX	GB70VS-LH	Single line programmable single number dialer, equipped with amplified receiver	1	1
GB72VXX	GB72V-LH	Single line pushbutton tone dial equipped with amplified receiver	1	1

XX Colors: 00-Black; 02-Red; 04-Yellow; 14-Grey Other colors available on special order

ADA Outdoor Telephones

- Housing is constructed of die cast aluminum and electrostatically deposited enamel finish
- Braille labels and ID tones
- Two LED lamps to indicate "on" and "help on the way"
- All housings are equipped with gaskets and the logo "telephone". Other logos available upon request
- Auto answer
- Can be used for ringdown circuits or single number auto dialing
- Remote programmable
- Outdoor speakerphones are **not** recommended for temperatures below -5°F (-20°C)
- See Page 64 for telephone dimensions and weights



GB97NADA02

Part Number	Speakerphone less Housing	Part Description	Std. Pkg. Qty.	Std. Ctn. Qty.
GB97NADAXX	GB25900N-ADA-LH	Less dial for automatic ringdown circuits	1	1
GB97SNDADAXX	GB25900SNDADALH	Outdoor speakerphone remote programmable single number dialer	1	1

XX Colors: 00-Black; 02-Red; 04-Yellow; 14-Grey Other colors available on special order

ADA Outdoor Telephones

- Speakerphone is constructed of high impact polycarbonate material
- Braille labels and ID tones
- Two LED lamps to indicate "on" and "help on the way"
- Auto answer
- Can be used for ringdown circuits or single number auto dialing
- Remote programmable
- Outdoor speakerphones are **not** recommended for temperatures below -5°F (-20°C)
- See Page 64 for telephone dimensions and weights



GB32390SND

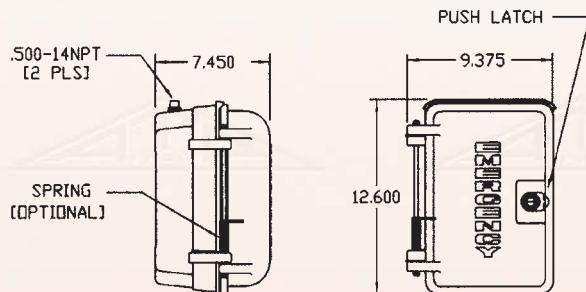
Part Number	Part Description	Std. Pkg. Qty.	Std. Ctn. Qty.
GB32390	Less dial for automatic ringdown circuits	1	1
GB32390SND	Outdoor speakerphone remote programmable single number dialer	1	1

Telephones

Outdoor Telephone Specifications

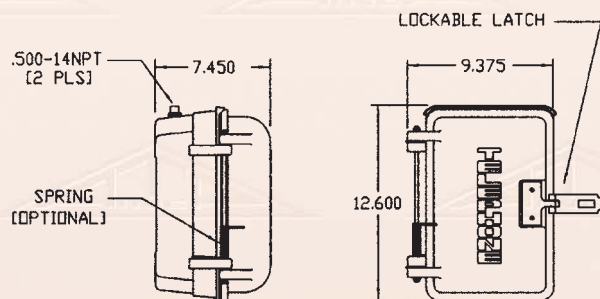
GB90 Series

Wt: Housing Only11 lb
 Wt: e/w tel set14 lb



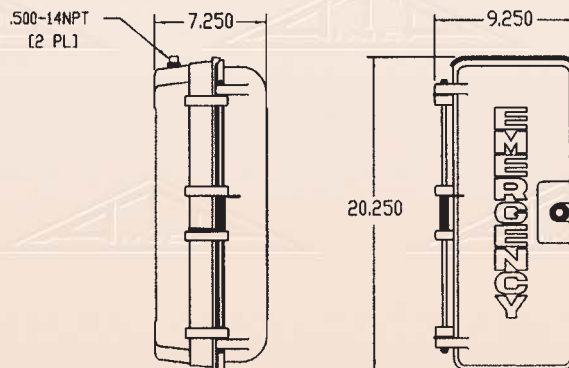
GB59 Series

Wt: Housing Only11 lb
 Wt: e/w tel set14 lb



GB70 Series

Wt: Housing Only16 lb
 Wt: e/w tel set20-21 lb



GB32390 Series

Wt:5 lb



Telephones

Telephone Programming Options

These telephone sets are equipped with field programmable memory locations with ability to program special options with a maximum of 32 digits per location.

GB59V	(p. 62)	GB524V	(p. 68)
GB70V	(p. 63, 78)	GB259V	(p. 61- 62)
GB72V	(p. 63, 78)	GB306V	(p. 70)
GB90V	(p. 61)	GB2512V	(p. 70)
GB92V	(p. 61)	GB2523V	(p. 68)
GB252V	(p. 66)	GB2524V	(p. 68)
		GB2554V	(p. 69)

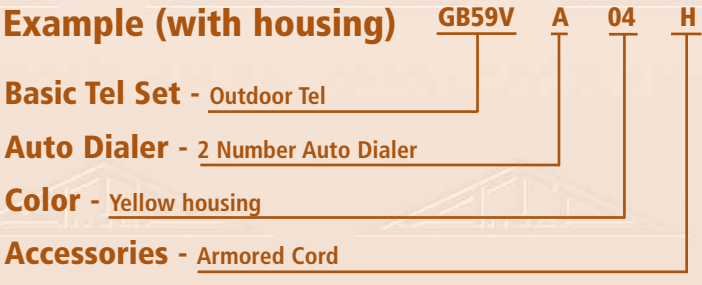
Ordering Information

- Option A** 2 Number Auto Dialer, less dial pad
- Option B** 10 Number Auto Dialer, with dial pad
- Option C** 20 Number Auto Dialer, with dial pad
- Option E** 50 Number Auto Dialer, with dial pad
- Option TR** Toll Restriction

1. Restricts 411
 2. Number 1 as first digit - (Restricts long distance call)
 3. Number 0 as first digit - (Restricts international call)
 4. Restricted number of digits being dialed.
- Ex: If number 3 is programmed, the user can only push 3 digits on the dial, the 4th digit is blocked out.



GB59VAH-LH
(Less housing)



- Note:**
1. Line Powered with no batteries or AC power requirement
 2. Compatible with 24 and 48 volt PBX Systems
 3. **Not** recommended for temperatures below -5°F (-20°C)
 4. These phones are not compatible with Noise Canceling Transmitters
 5. Special Silk Screen is available on special orders
 6. Operating Instructions included with each telephone