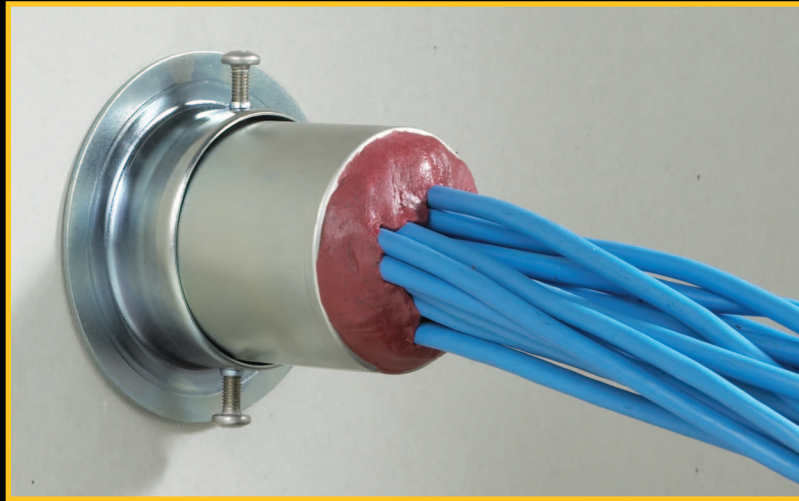


## Ready Sleeve™

Ready to install out-of-the-box firestop sleeve kit



**Seals off the path of fire, smoke and superheated gasses while providing support and protection for electrical, telephone, and data cables.**

Kit includes a 12 in. (300 mm) long steel sleeve available in 1, 2, or 4 in. (25, 51, or 102 mm) diameter; corresponding sized steel escutcheon plates which lock the device in place; and SpecSeal® Firestop Putty to seal the ends of the sleeve to the required 1 in. (25 mm) depth. Each sleeve end is rounded smooth to protect cable jacketing without the need for bushings. (Bushing is supplied with 1" sleeve)

- **Economical** – Significant material and labor savings vs. field fabrication.
- **Ready to Install** – No additional parts or fabrication required. Conveniently sized for up to 10" (250 mm) thick barriers.
- **No External Firestop Seal Required** – Factory supplied intumescent firestop gasket eliminates the need to seal the circumference of the steel sleeve at its egress from each side of barrier.
- **UL® Classified and Code Compliant** – Each kit designed to provide up to a 2 hour F Rating in accordance with UL® System requirements. Assures code compliance every time!
- **For Rated and Non-Rated Barriers** – Putty seal impedes the passage of fire, smoke, superheated gases, and particulate dust, and minimizes noise transmission.

[www.stifirestop.com](http://www.stifirestop.com)

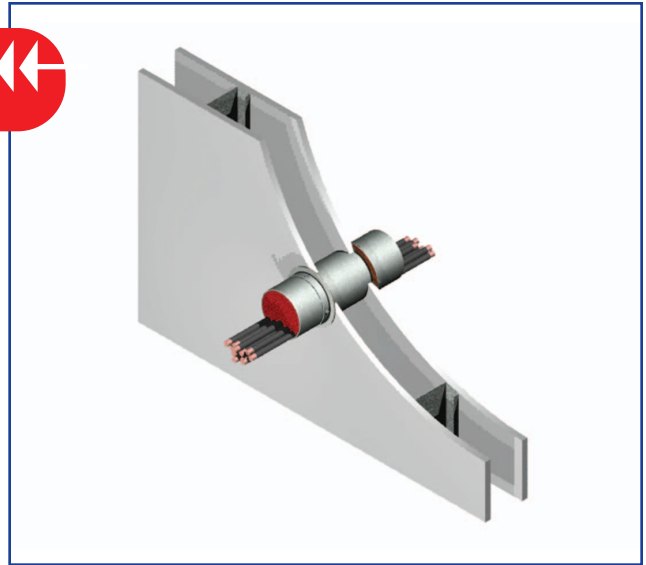
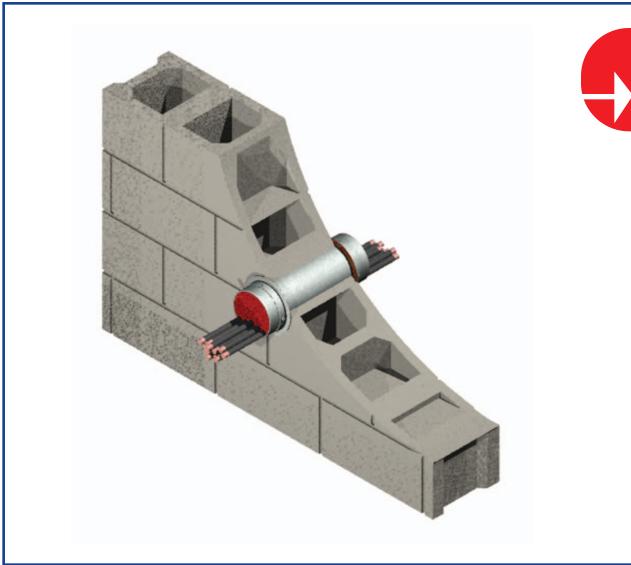


Specified Technologies, Inc.

Sold by:



<http://www.TWAcomm.com>  
Toll Free: (877) 389-0000



System# W-J-3141  
SpecSeal® Ready Sleeve™ installed in concrete block wall

System # W-L-3275  
SpecSeal® Ready Sleeve™ installed in gypsum board wall

### ORDERING INFORMATION

Catalog Number	UPC #	Description	Unit Quantity	Case Quantity	Weight
FS100	730573	1" (25 mm) sleeve, escutcheon plates, gaskets, and putty (bushing supplied)	1	6	1.0 lb (0.45 kg)
FS200	20200	2" (51 mm) sleeve, escutcheon plates, gaskets, and putty	1	6	2.0 lb (0.91 kg)
FS400	20400	4" (102 mm) sleeve, escutcheon plates, gaskets, and putty	1	6	4.0 lb (1.81 kg)

### PHYSICAL PROPERTIES

Available Sizes	1" (25 mm), 2" (51 mm), and 4" (102 mm)
Sleeve and Plate Construction	0.059" (1.5 mm) thick steel (zinc plated)
Intumescent Gasket	
Expansion Temperature	350°F (177°C)
Volume Expansion	15x (free expansion)
In-Service Temperature	130°F (54.4°C)
Putty Fill Material	SpecSeal® Firestop Putty
Color	Red
Odor	None
Solids	100%
Expansion Temperature	230°F (110°C)
Volume Expansion	8x (free expansion)
In-Service Temperature	130°F (54.4°C)
VOC Content	0.00 lbs/gal (0.0 g/l)

Your Rep/Distributor is:



FIRESTOP DEVICE  
FOR USE IN THROUGH-PENETRATION FIRESTOP SYSTEMS.  
SEE UL DIRECTORY OF PRODUCTS CERTIFIED FOR CANADA  
AND UL FIRE RESISTANCE DIRECTORY.  
8L98

For more information, call 1-800-992-1180 or visit [www.stifirestop.com](http://www.stifirestop.com)

200 Evans Way • Somerville, NJ 08876 • Toll-Free (800) 0992-1180 • Fax: (908) 526-9623 • [www.stifirestop.com](http://www.stifirestop.com)

