

Sold by:



USB
Mu
Messenger USB



The *Messenger USB* is a state-of-the-art digital audio playback device designed to provide a continuous play audio source for message-on-hold, background music or any other audio application where high-quality audio playback is required.

Messages are stored in MP3 format on any standard USB flash drive with no special software or drivers needed. The Messenger USB is capable of high-quality audio file playback of up to 128Kbps.

Audio content is easily managed by plugging the USB flash drive into a PC or MAC computer's USB port and "dragging and dropping" MP3 files to and from the drive. Customers can receive new and updated message-on-hold or background music programs via e-mail or ftp and update the units themselves saving the added expense of additional USB flash drives and the related mailing and tracking costs.

The Messenger USB is also available with the next generation encryption software called Sonocrypt Level 3. This version of Sonocrypt encrypts the file itself making the MP3 file unplayable anywhere except on the Messenger USB. This makes the distribution of your audio content safe and secure while eliminating unauthorized playback.

Features:

- ✓ Plays MP3 files from standard USB drives
- ✓ No drivers or special software needed
- ✓ Playback quality up to 128Kbps
- ✓ Playback up to 1024 audio files
- ✓ Continuous playback
- ✓ Built-in monitor speaker
- ✓ Sonocrypt™ message encryption (optional)
- ✓ LED status indicator
- ✓ Exceptional dealer support
- ✓ 5-year parts and labor warranty
- ✓ Designed and manufactured in the USA

Specifications:

- PlaybackMPEG (.mp3)
- Frequency Response20Hz to 20KHz
- Bit/Sample RateUp to 128Kbps/48KHz
- Loading TypeUSB flash drive
- Memory TypeFlash
- Memory CapacityUSB drive dependent
- Message CapacityUp to 1024
- Message PlaybackContinuous or shuffle
- Power.....12VDC @ 500mA
- Audio Output8Ω or 600Ω RCA
- Size (H x W x D)6.00" x 6.00" x 1.50"
- ColorBlack
- Shipping Weight3 pounds



Nel-Tech Labs, Inc. • 4 Ash Street Extension • Derry, NH 03038

phone: 603.425.1096 • fax: 603-425.1827

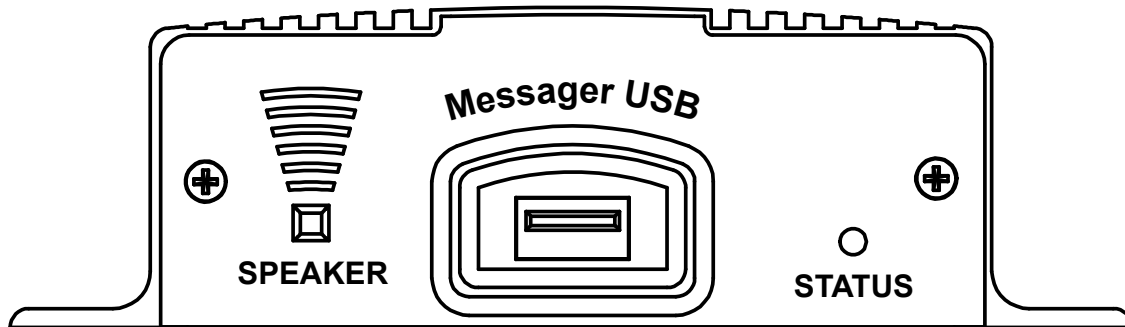
www.nel-techlabs.com

Designed & Manufactured

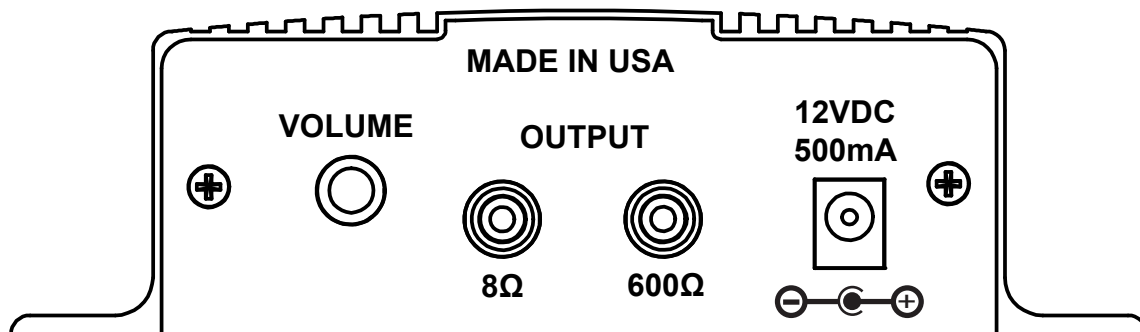


In the USA

Mechanical Specifications



Front View



Rear View



FCC Part 15 : This equipment has been tested and found to comply within the limits for a Class A digital device, pursuant to Part 15 of the FCC rules. These limits are designed to provide reasonable protection against harmful interference when the equipment is operated in a commercial environment. This equipment generates, uses and can radiate radio frequency energy and, if not installed and used in accordance with the instruction manual, may cause harmful interference to radio communications. Operation of the equipment in a residential area is likely to cause harmful interference in which case the user will be required to correct interference at his own expense. In order to maintain compliance with FCC regulations shielded cables must be used with this equipment. Operation with non-approved equipment or unshielded cables is likely to result in interference to radio & television reception.

Changes or modifications not expressly approved by Nel-Tech Labs could void the users' authority to operate the equipment.

IC ES 003 : This Class A digital apparatus complies with Canadian ICES-003 C et appareil numérique de la classe A est conforme à la norme NMB-003 du Canada.

CE CONFORMITY : This unit conforms with the following standards, in accordance with the EU Safety, EMC Emissions, & EMC Immunities : EN 60950-1:2001, EN 55022:1998 for Class A, EN 55024:1998 + A1:2001 + A2:2003, EN 61000-4-2:1995 + A1:1998, EN 61000-4-3:1995, EN 61000-4-4:1995, EN 61000-4-5:1995, EN 61000-4-6:1996, EN 61000-5-11:1994.