

ACR-11/41 Aluminum Casting Ringdown Telephones

FEATURES and BENEFITS

- Cast aluminum enclosure
- Weather, dust & corrosion resistant for any industrial application
- Locking or non-locking door
 - Lock version limits access to authorized personnel only
 - Key is common to all locks
- Spring loaded door for automatic closure
- Magnetic reed hook switch to reduce parts subject to wear
- Encapsulated circuitry impervious to water and corrosive agents
- Hinge turns on nylon bushings to avoid jamming caused by salt or corrosion
- Surge arrestor to prevent voltage spike damage
- Heavy duty G type industrial handset
- Volume control to ensure communication in noisy environments
- Electret noise reducing microphone for clear communication
- Temperature range -76° to +176°F (-60° to +80°C)
- Water proof connections & stainless steel fittings for longer life
- Modular parts for easy service
- Hearing aid compatible
- Electronic ringer for reliability
- Easily connected to any single line analog CO or PABX telephone line

APPLICATIONS

These telephones are designed to provide reliable communications in environments prone to abuse and inclement weather:

- Universities
- Mines
- Airports
- Warehouses
- Docksides
- Greenhouses
- Transit Authorities
- Swimming Pools
- Parking Garages
- Plant Entry Gates
- Pulp & Paper Mills
- Construction Sites
- Roadside Emergency Call Boxes
- Food Processing Facilities
- Cement Plants
- Sewage Plants
- and more ...

INSTALLATION and CONNECTABILITY

ACR-11/41 Aluminum Casting Ringdown Telephones are designed to connect to any standard telephone network. To meet safety standards, the use of electrical conduits and adherence to local area codes may be required. To maintain voice quality, a telephone should be connected within 15,000 ft. (~4,600) meters of a main telephone switch which accepts single line telephones.

ACCESSORIES and OPTIONS

- Strobe Light
- Off-Hook Detect Relay
- Ring Detect Relay



ACR-11
Metal Door
Ringdown with
Curly Cord

Volume
Control
Handset

ACR-41
Metal Door Ringdown
with Armored
Handset Cord

Guardian's ACR-11/41 Aluminum Casting Ringdown Telephones meet the demanding requirements of sites that are prone to abuse and inclement weather. Housed in a locking or non-locking aluminum enclosure, these telephones resist moisture, dust and corrosive chemicals. They are specially designed to provide reliable service in out-door environments.

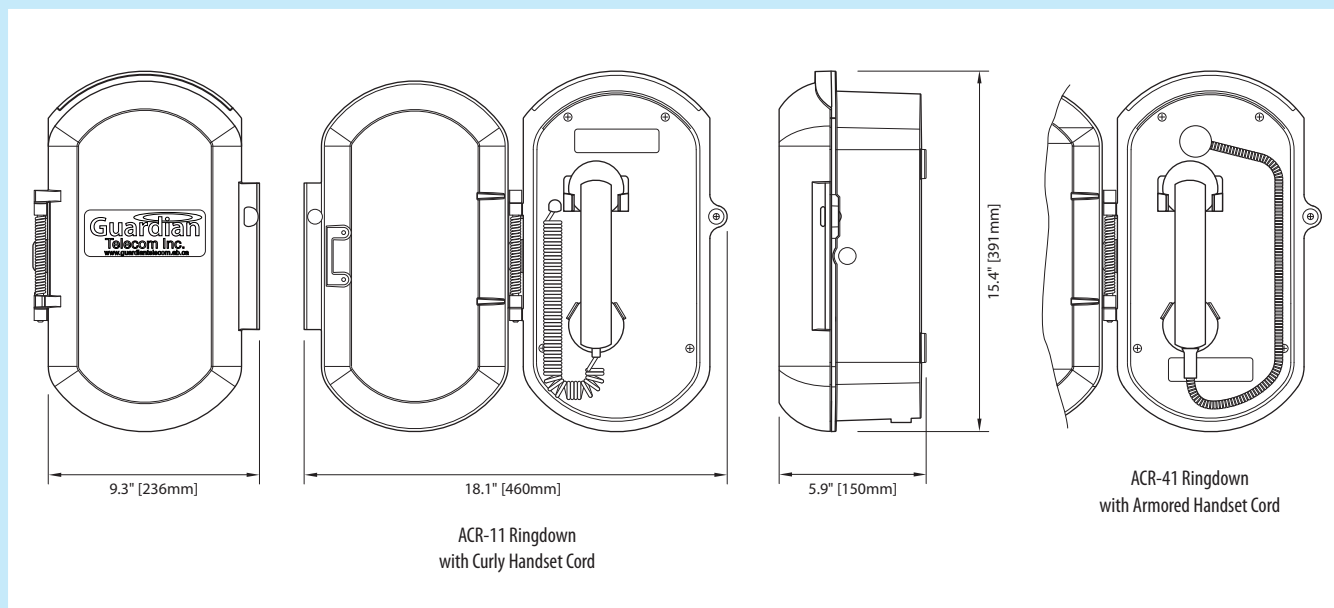
Guardian
Telecom Inc.

ISO 9001 Today's Quality Creates Our Future

Sold by:


TWAcomm.com
http://www.TWAcomm.com
Toll Free: (877) 389-0000

OVERALL DIMENSIONS



ACR-11/41 Ringdown Aluminum Casting Telephones

ENGINEERING SPECIFICATIONS

ELECTRICAL PERFORMANCE

Audio Range Frequency Response	300 - 3400 Hz
Connection Method	Hotline Operation
Transmit Objective Loudness Rating (TOLR)	Nominal -38 +/- 3 dB
Receiver Volume Adjustment	3 Steps Up / 2 Steps Down 8.1dB / 5.1 dB
Receiver Objective Loudness Rating (ROLR)	Nominal 50 +/- 3 dB
- receiver volume at maximum	41.9 +/- 3 dB
- receiver volume at minimum	55.4 +/- 3 dB
Side Tone Objective Loudness Rating (SOLR)	Nominal 11 +/- 4 dB
- receiver volume at maximum	7 +/- 4 dB
- receiver volume at minimum	14 +/- 4 dB
Ringer Output	>65 dB
FCC Ringer Equivalence	0.9 B
Set Impedance	600 Ohms Nominal
Maximum Loop	15Kft (~4,600m) of 22 AWG Wire

ELECTRICAL REQUIREMENTS

Ringer Sensitivity	40 - 100 V, 16 - 25 Hz
Line Voltage	24 - 56 VDC
Loop Current	20 - 120 mA
Connection Method	Surge Arrestor

MECHANICAL SPECIFICATIONS

Hook Switch (Cradle Switch) Life	>1 000 000 Operations
Body Construction	Cast Aluminum
Faceplate	Corrosion Protected & Powder Coated
Net Weight	12 lbs (5.5 kg)
Shipping Weight (including mounting plate)	13 lbs (5.9 kg)
Shipping Dimensions (L x W x D)	16.0" x 10.5" x 9.5" (407 x 267 x 242 mm)
Hand Set Construction	High Impact ABS
Mounting	Vertical Wall
Microphone	Noise Reducing Electret
Receiver	Hearing Aid Compatible
Hardware Material	Stainless Steel

ENVIRONMENTAL

Weather Proof Enclosure	Type 3R
Temperature	-76° to +176°F (-60° to +80°C)
Humidity	0 - 95% RH Non-Condensing
Corrosion Resistant	Full Gasket Faceplate

COMPLIANCE

Environmental Survivability	MIL-STD810E
Industry Canada	1012-6721A
FCC	HQHCAN-22517-TE-E

ORDERING INFORMATION

Warranty: One year parts and labor

Order Number	Description
P5424	ACR-11 Volume Control Handset/6' (1.8m) Curly Cord
P5425	ACR-41 Volume Control Handset/22' (.6m) Armored Handset Cord
<i>Options</i>	
NC	Noise Canceling Microphone
LD	Locking Door
AD	Autodialer

Distributed by:



Guardian pursues a policy of continuous improvement, therefore specifications are subject to change without notice.

Guardian
Telecom Inc.

ISO 9001 Today's Quality Creates Our Future

7552 - 10th Street N.E., Calgary, Alberta, Canada T2E 8W1
Telephone: 403 258-3100 Facsimile: 403 253-4967
1-800-363-8010 (North America)
info@guardiantele.com
www.guardiantele.com