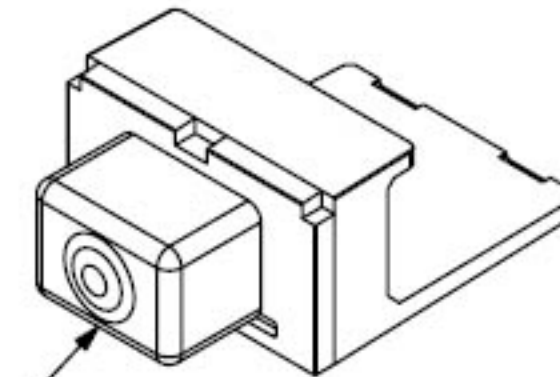
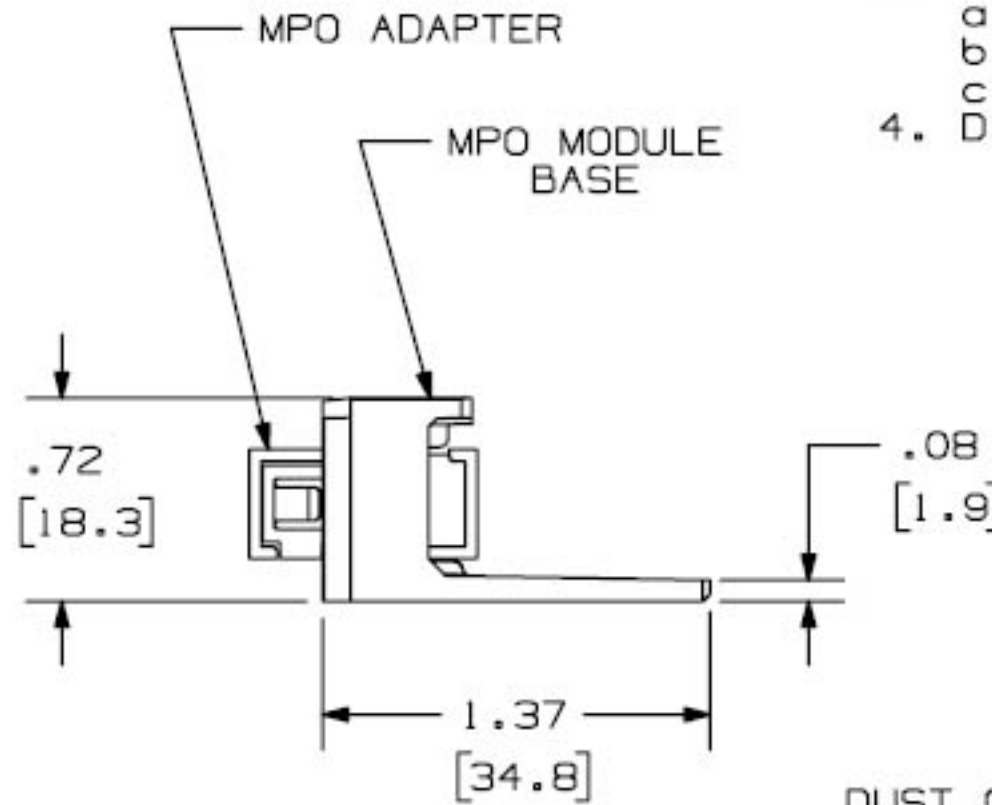
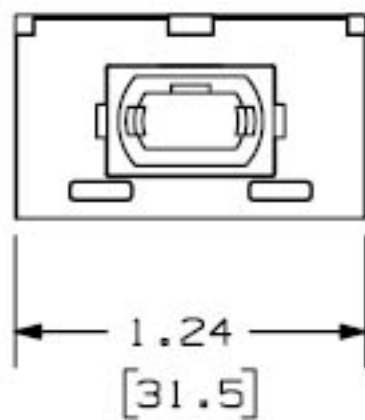


PANDUIT P/N	WEIGHT
CMMPO****	.17 lbs/10 Pcs [ 77.2 g/10 Pcs ]

- NOTES:
- SEE CURRENT CATALOG FOR PART NUMBER SUFFIXES TO INDICATE COLOR AND/OR PACKAGE QUANTITIES.
  - SEE CATALOG FOR COMPLETE LIST OF PARTS APPLICABLE FOR USE WITH THIS PART.
  - MATERIALS:
    - ADAPTER HOUSING: PLASTIC
    - MODULE BASE: PLASTIC
    - DUST CAP: PLASTIC
  - DIMENSIONS IN BRACKETS ARE METRIC [ mm ]



DUST CAP

MINI-COM MPO ADAPTER MODULE  
CUSTOMER DRAWING



**PANDUIT**™  
CORP.  
TINLEY PARK, ILL 60477



ALL DIMENSIONS ARE GIVEN IN INCHES,  
UNLESS OTHERWISE SPECIFIED,  
DIMENSIONAL TOLERANCES ARE:  
(.X) (.XXX)±.010 [0.3]  
(.XX)±.03 [0.8] ANGLES

DRAWING FILENAME  
M01988CC\_DC\_00A.prt

SCALE  
NONE

DRAWN BY  
MC

REVIEW DRAWING NUMBERS

PART NO.  
CMMPO\*\*\*\*

REV	DATE	BY	CHK	DESCRIPTION	ECN	R	CUST	SUP	OTH
R	07-26-04	MC		RELEASED TO PRODUCTION	01988-04				

DATE  
07-23-04

SEE NOTES

DRAWING NO.	SIZE
01988-04	A