

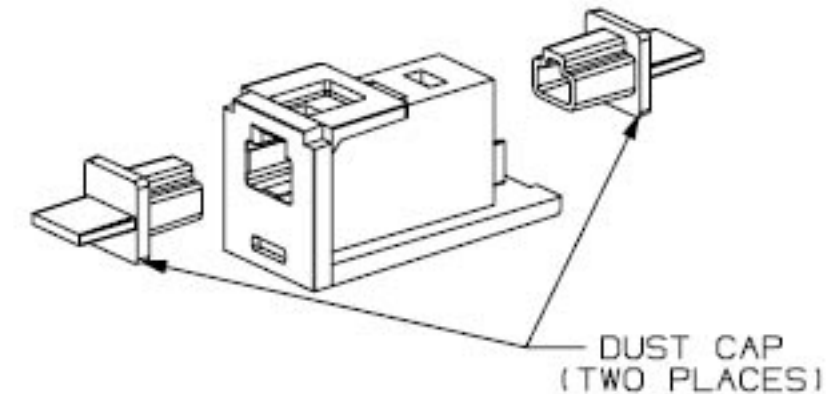
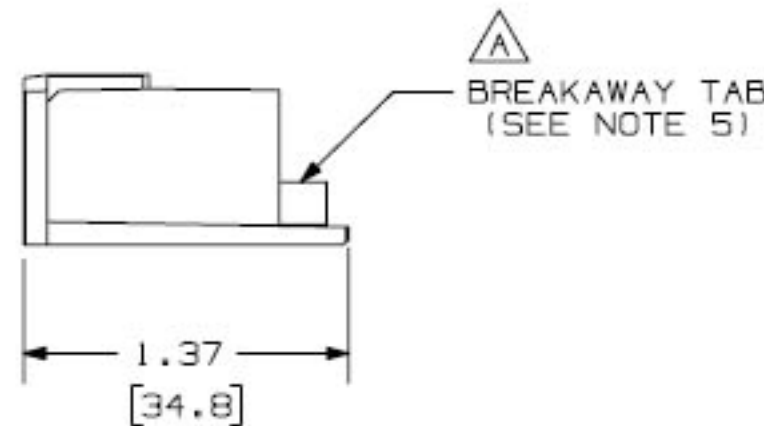
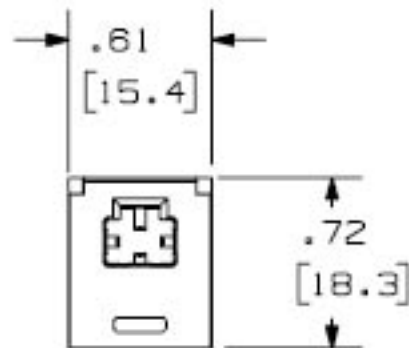
THIS COPY IS PROVIDED ON A RESTRICTED BASIS AND IS NOT TO BE USED IN ANY WAY DETRIMENTAL TO THE INTERESTS OF PANDUIT CORP.



PANDUIT P/N	WEIGHT
CMMJ**	1.00 lb/100 PCS (456 g/100 PCS)

NOTES:

1. SEE CURRENT CATALOG FOR ADDITIONAL PART NUMBER SUFFIXES TO INDICATE COLOR AND OR PACKAGE QUANTITY.
2. MATERIAL: ADAPTER: PC/ABS
DUST CAP: RUBBER
3. MTRJ ADAPTER IS SUPPLIED WITH TWO DUST CAPS.
4. DIMENSIONS IN PARENTHESES ARE IN METRIC.
5. REMOVE BREAKAWAY TAB TO INSTALL PLUG UPSIDE DOWN TO REVERSE THE POLARITY OF THE CONNECTION.



MODEL FILENAME	M00857BB_MTRJ_ADAPT_00.PRT
CAD FILENAME/LAYERS	M00857BB_DC_00B.PRT (1)

PANDUIT CORP. TINLEY PARK, ILLINOIS
 MULTIMODE MTRJ PLUG TO PLUG ADAPTER
 MINI-COM MODULE (CMMJ**)
 CUSTOMER DRAWING

UNLESS OTHERWISE SPECIFIED, DIMENSIONAL TOLERANCES ARE: (.X) ± (.XXX) ± (.XX) ± .02(.5) ANGLES ±		UNLESS OTHERWISE SPECIFIED, ALL DIMENSIONS ARE GIVEN IN INCHES, THIRD ANGLE PROJECTION.	
DRAWN BY TA	MAT'L: AS NOTED	SCALE FULL	
DATE 03-27-00	CHK'D JAW	DRAWING NO. 00857-04	DWG SIZE A

REV	DATE	BY	CHK	DESCRIPTION	ECN	R	CUST	SUP	OTH
1	04-13-00	EFK		C. REVISED TITLEBLOCK B. ADDED NOTE 5 A. ADDED BREAKAWAY TAB LABEL	00857-04				
R	03-27-00	TA	JAW	RELEASED TO PRODUCTION	00857-04	JAW	JAW		