

Panasonic
ideas for life

Vandal Proof Super Dynamic III
Color Dome Cameras
WV-CW484 Series



Advanced Vandal Proof Dome Camera



Preliminary



Heavy Duty Highly reliable advanced design

Features Anti-shock Auto Back Focus (ABF) and IP66 rating for heavy duty use

Easy Installation



Removable Attachment

Reduces labor costs and provides a simple-to-install waterproofing solution.

Waterproof Section



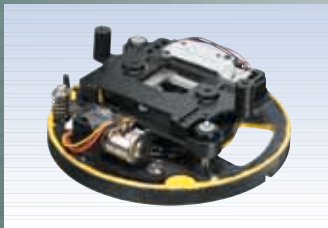
Electrolysis Dehumidification Device

Functioning as an electric dryer, it reduces condensation by electrolyzing internal moisture and continuously discharging it from the camera.



Anti-shock Auto Back Focus (ABF)

New miniaturized mechanism provides greater accuracy and shock resistance.



Waterproof Seal

New material effectively prevents water from entering the housing, even under the harshest conditions.



IP66 standard Withstands Rain and Wind

Reliable dustproof and waterproof properties exceed international standards. Suitable for both indoor and outdoor (under eave) installations.



Dehumidification Device Withstands Humidity

New dehumidification device reduces condensation caused by sudden temperature changes. In addition, the optional Heater Unit (WV-CW4H) senses temperature and automatically adjusts to optimal levels. The operating temperature becomes -30 °C to +50 °C (-22 °F to +122 °F).



Die cast aluminum body Withstands Severe Shocks

The die cast aluminum body is complemented by a 3.5 mm thick, polycarbonate dome.

A spring mounted lens unit protects the camera and lens by absorbing external shock.



Superior surveillance performance, waterproofing and ease of installation. Introducing the WV-CW484 Vandal Proof Super Dynamic III Camera Series.

The new WV-CW484 Series, a high-end model equipped with *Super Dynamic III* joins Panasonic's Vandal Proof Camera line. In addition to a Day/Night feature, the camera is equipped with a newly developed Anti-shock Auto Back Focus (ABF), ensuring crystal clear surveillance around the clock. Its robust body with waterproof properties meets the IP66 standard and is fully equipped with intelligent surveillance performance and high image quality, including 128x Dynamic Range.



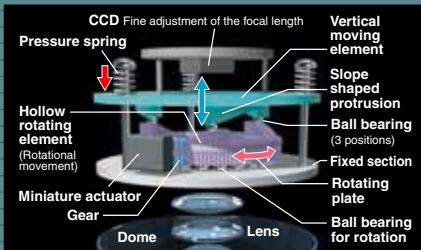
SDIII
Super Dynamic

Actual Size
(WV-CW484S)

Panasonic offers industry leading features to handle installation in severe environments

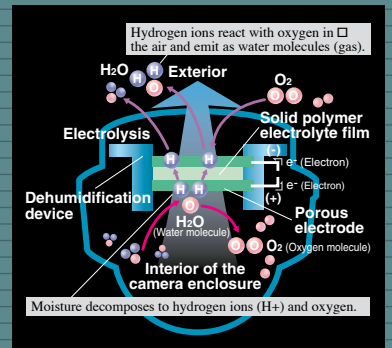
Anti-shock Auto Back Focus (ABF)

For the first time, the WV-CW484 Vandal Proof cameras are equipped with an Auto Back Focus function. This will ensure perfect focus when switching from color to black and white, while simplifying installation. Miniaturization of the mechanism, smooth and highly precise CCD migration and greater shock resistance are benefits realized by driving the cam and ball bearing structure with a miniature actuator.



Electrolysis Dehumidification Device

A special electrolyte film dissolves humidity inside the camera into hydrogen ions and oxygen molecules. The hydrogen ions are discharged as a vapor outside of the camera. This Electrolysis Dehumidification Device keeps the humidity inside the camera low and reduces condensation during sudden temperature changes.



Feature Loaded Higher resolution & greater intelligence

Super Dynamic III equipped, 24-hour highly reliable surveillance

SDIII

Super Dynamic

Adaptable to contrast Pixel Based 128x Dynamic Range

Objects on every area of the screen are reproduced faithfully by Area Free Natural Contrast Image Correction that performs pixel-based correction. Furthermore, 128x Dynamic Range is realized by shutter images of 1/60 seconds and 1/8,000 seconds. Even under changing contrast situations like time of day, weather or season, superb natural images are realized.



Conventional
Depending on subject position, the image may be marred by black spots or halo effects.



Super Dynamic III
Pixel Based 128x Dynamic Range reproduces every subject.

Clear details Horizontal resolution of 540 TV lines (color mode)

Horizontal resolution is 540 TV lines in color mode (typical), 570 TV lines in black and white mode.

Real color reproduction Color Processing Enhancements

By improving the reproduction of low intensity areas and subtle colors, individuals and objects are produced in natural, clear colors.

24 hour surveillance Day/Night Switching



When the surrounding area becomes dark, the operating mode automatically switches from color to black and white increasing sensitivity. In the morning, the operating mode automatically switches to color, allowing for complete surveillance both day and night. Mode switching can also be performed manually.

Day and night Focus Auto Back Focus (ABF)



When switching from color imaging to black and white imaging, the back focus automatically adjusts the position of the CCD, thus eliminating the focus shift caused by the deviation of the IR cut filter on conventional cameras. In addition, when switching back from black and white to color mode, the CCD returns to its original position, offering true 24 hour day/night surveillance.

Works effectively in dim light Full color images at 1.5 lux (0.15 fc) Black and white images at 0.16 lux (0.016 fc)

Minimum illumination needed is 1.5 lux (0.15 fc) in color and 0.16 lux (0.016 fc) in B/W mode, with the standard smoke-colored dome.



Conventional

Super Dynamic III

Tampering Alarm Scene Change Detection

The camera sends an alarm when various acts of tampering are detected. These acts include spray painting the lens and covering the lens with a cloth.



After Image reduction Adaptive Digital Noise Reduction

Double processing of 2D DNR and 3D DNR reduces unwanted images such as car headlights seen in conventional 3D DNR.



Conventional



Super Dynamic III

Image vibration reduction Auto Image Stabilizer

When trains or passing vehicles cause the camera to vibrate, images are automatically stabilized.



Conventional



Super Dynamic III

Sensing object movement Digital Motion Detector

When object movement is detected on screen, an alarm is transmitted. An automatic recording system can be implemented using an optional digital disk recorder.

Displaying camera titles 16 Alphanumeric Characters

A maximum of 16 characters, including alphanumeric and symbols can be displayed on screen.

Sold by:

TWAcomm.com
<http://www.TWAcomm.com>
Toll Free: (877) 389-0000

Simple to Install Easy, secure installation

Labor saving Auto Back Focus (ABF) and attachment of removable structures

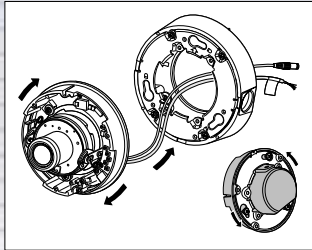
Easy to adjust focus Auto Back Focus (ABF)

After adjusting the viewing angle, simply push the Auto Back Focus (ABF) button on the camera; or adjust via the optional system controller. The dome cover should be attached during the three minute LED timer flashing to ensure proper focus. Perfect focus and reduced installation time is achieved.



No special waterproofing measures necessary Removable Attachments

By using removable attachments, no special measures are required to protect the waterproof section, thus reducing installation labor.



Easy adjustment of various settings Menus in Eight Languages

Menus can be selected in English, German, French, Italian, Spanish, Russian, Chinese or Japanese.

Easy viewing angle adjustment 2x Variable Focal Lens

The standard 3.8-8.0mm 2x variable focal lens enables easy angle adjustment for optimal viewing.

Easy angle and focus adjustments Monitor output terminal

When connecting a portable LCD to the monitor output terminal, you can adjust the viewing angle while confirming the image on the spot. In addition, when connecting the monitor the camera automatically switches to ELC mode so you can accurately set the spot you want to monitor.



Trouble-free installation any where Three-way hinge

The camera platform inside the dome has a three-way hinge that allows horizontal, vertical and swivel rotation. In addition, an upside-down function allows images to be digitally flipped both vertically and horizontally. These flexible camera angle adjustments provide trouble-free installation.

Can be installed in a junction box Flush Mount Type: WV-CW484F

The flush mount WV-CW484F can be neatly installed within existing junction boxes.

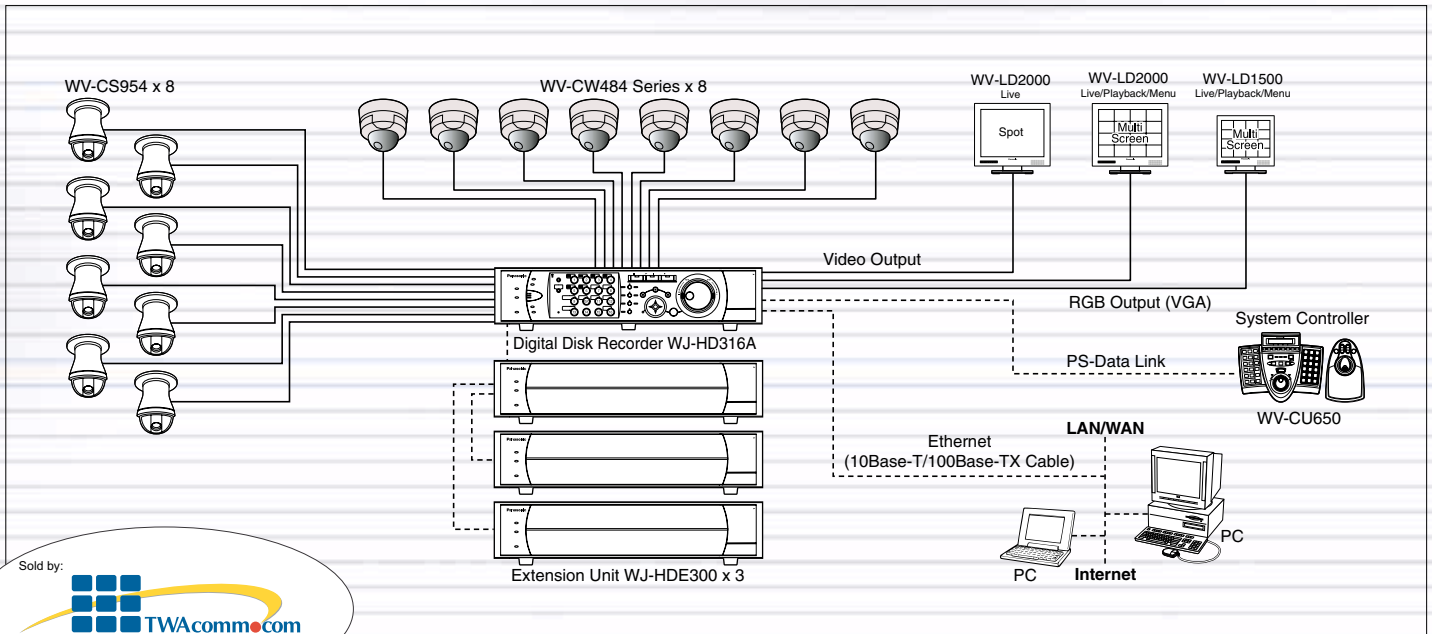


Can be embedded in the ceiling Embedded Ceiling Installation: WV-Q166

For indoor installations where the entire camera body requires concealment, use the optional WV-Q166 bracket.



SYSTEM EXAMPLE

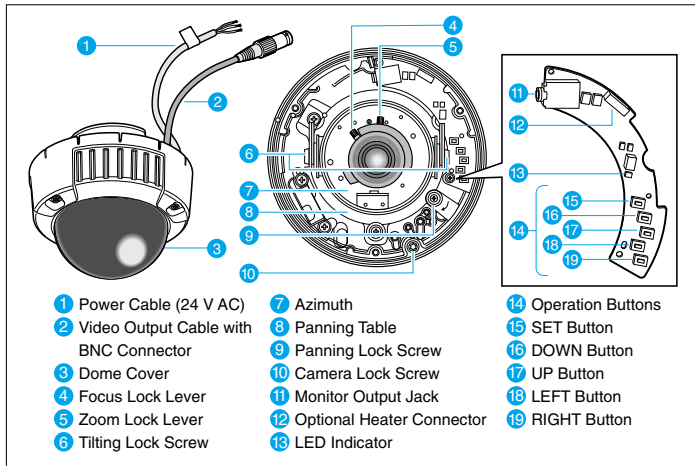


Sold by:

<http://www.TWAcomm.com>
 Toll Free: (877) 389-0000

The above photographs were taken for the purpose of this explanation; actual performance and images may vary depending on environmental or other conditions.

MAJOR OPERATING CONTROLS & TERMINALS



SPECIFICATIONS

Model No.	WV-CW484S	WV-CW484F
Type	Surface mount type	Flush Mount type
General Specifications		
Power Source and Power Consumption	24 V AC 60 Hz, 11 W (With heater), 12 V DC 470 mA*	
Ambient Temperature	-10 °C ~ +50 °C (14 °F ~ 122 °F), -30 °C ~ +50 °C (-22 °F ~ 122 °F)**	
Ambient Humidity	90 % or less	
Water Resistance	IEC60529 (IP66, Against ingress of water with harmful effects powerful jetting)*** (Camera unit)	
Dimensions (W x H)	ø158.3 x 146.2 mm (ø6-1/4" x 5-3/4")	ø154 x 141.2 mm (ø6-1/16" x 5-9/16")
Weight (approx.)	1.9 kg (4.18 lbs.)	1.4 kg (3.08 lbs.)
* Optional Heater Unit WV-CW4H cannot be used under 12 V DC operation ** With optional Heater Unit WV-CW4H *** Applicable only when the installation and waterproof process are done properly		
Camera		
Image Sensor	1/3-type interline transfer CCD	
Effective Pixels	768 (H) x 494 (V)	
Scanning Area	4.8 mm (H) x 3.6 mm (V)	
Scanning Method	2:1 interlace scan	
Scanning Frequency	Horizontal: 15,734 kHz Vertical: 59.94 Hz	
Resolution	Horizontal 540 lines typical at color high mode, 480 lines at color normal mode, 570 lines at B/W mode	
Signal-to-Noise Ratio	50 dB (Equivalent to AGC Off, weight On)	
Dynamic Range	52 dB typical	
Minimum Illumination (at F1.4)	1.5 lux (0.15 fc) in color, 0.16 lux (0.016 fc) in B/W (SENS UP: OFF) 0.15 lux (0.015 fc) in color, 0.016 lux (0.0016 fc) in B/W (SENS UP: 10x) with optional Clear Dome Cover, WV-CW4C 0.6 lux (0.06 fc) in color, 0.08 lux (0.008 fc) in B/W (SENS UP: OFF) 0.06 lux (0.006 fc) in color, 0.008 lux (0.0008 fc) in B/W (SENS UP: 10x)	
Video Output	VBS 1.0 V [P-P] NTSC composite 75 Ω/BNC connector	
Lens Mount	CS-mount	
Major Items on Menu Setup		
Language	English, French, German, Spanish, Italian, Russian, Chinese or Japanese	
Camera ID	Up to 16 characters	
Light Control	ALC	
Super Dynamic III	ON or OFF	
Electronic Shutter Speed	OFF (1/60), 1/100, 1/250, 1/500, 1/1,000, 1/2,000, 1/4,000, 1/10,000 s	
AGC	ON (HIGH/MID/LOW), or OFF	
Sensitivity Enhancement	OFF, x2 AUTO, x4 AUTO, x6 AUTO, x10 AUTO, x2 FIX, x4 FIX, x6 FIX, x10 FIX, x16 FIX, x32 FIX	
Synchronization	Multiplexed vertical drive (VD2), Line-locked, or Internal	
White Balance	ATW1, ATW2, or AWC	
Motion Detection	MODE1, MODE2, or OFF	
Digital Noise Reduction	High or Low	
Resolution	Normal or High	
Black-and-White Mode	AUTO1, AUTO2, ON, or OFF	
Privacy Zone	ON (1/2), or OFF	
Auto Image Stabilizer	ON or OFF	
Back Focus Adjustment	ABF, MANUAL, AUTO/PRESET/FIX	
Special	Chroma, Aperture, Pedestal, HUE adjustable	
Lens		
Type	2x varifocal	
Focal Length	3.8 mm ~ 8.0 mm	
Maximum Aperture Ratio	1:1.4 (Wide), 1:1.8 (Tele)	
Focusing Range	1.2 m ~ ∞ (3.9 ft. ~ ∞)	
Angular Field of View	Horizontal: 35.6° (Tele) ~ 73.6° (Wide) Vertical: 26.6° (Tele) ~ 53.4° (Wide)	

Important – Safety Precaution: carefully read the operating instructions and installation manual before using this product.

• All TV pictures are simulated. • Weights and dimensions are approximate. • Specifications are subject to change without notice. • These products may be subject to export control regulations.

Panasonic

Panasonic System Solutions Company
Unit Company of Panasonic Corporation of North America

Security Systems

Website : www.panasonic.com/security

For Customer Support : call 1.877.733.3689

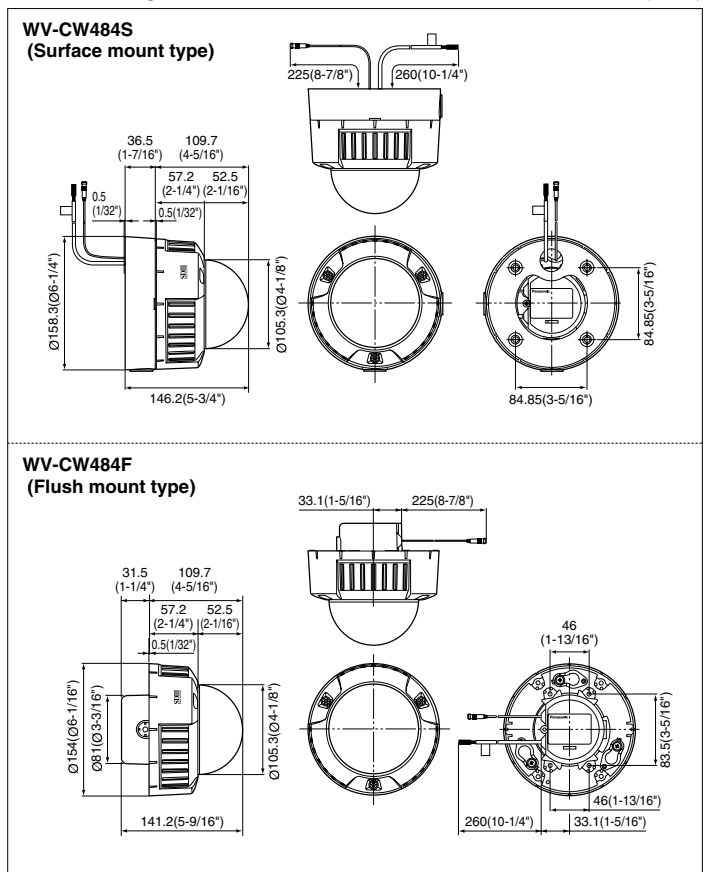
Executive Office : Three Panasonic Way 2H-2, Secaucus, New Jersey 07094

OPTIONAL COMPONENTS & ACCESSORIES

<p>Mounting Base for WV-CW484F WV-Q114</p>	<p>Heater Unit WV-CW4H</p>	<p>Clear Dome Cover WV-CW4C</p>	<p>Embedded Ceiling Mount Bracket WV-Q166</p>
<p>Digital Disk Recorders WJ-HD316A (16ch) WJ-HD309A (9ch) WJ-HD220 (8ch)</p> <p>PS-Data</p>	<p>Matrix Systems SYSTEM 650 SYSTEM 150</p>		
<p>System Controller WV-CU650</p> <p>PS-Data</p>	<p>LCD AV Monitors WV-LC1710 43.2cm (17") WV-LD2000 50.8cm (20") WV-LD1500 38.1cm (15") WV-CM1420 34cm (13") WV-CM1020 22cm (9")</p>		

APPEARANCE

Unit: mm (inches)



DISTRIBUTED BY:



PANASONIC CANADA INC.

5770 Ambler Drive, Mississauga, Ontario, L4W 2T3 Canada (905) 624-5010

PANASONIC PUERTO RICO INC.

DIVISION OF PANASONIC CORPORATION OF NORTH AMERICA

San Gabriel Industrial Park, 65th Infantry Ave. KM. 9.5 Carolina, P.R. 00985 (809) 750-4300

Printed in Japan

WV-JHCW484C(2P-542)