

Product Information Sheet

M-SERIES 48" H MEGAFRAME CABINET

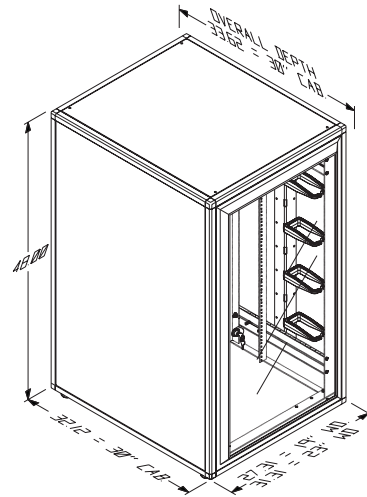
The CPI 4' MegaFrame Cabinet is designed for space conscious customers who demand value, while offering the same excellent quality and service that set CPI apart from the competition. This convenient height cabinet is designed specifically for restricted space installations.

The cabinet is available in a variety of widths and depths. Multiple cabinets can be mounted side-by-side using optional baying hardware. There are 25 rack mount units (RMU) available for placement of shelves or rack-mount components. (Each RMU equals 1.75 inches or 44.45 mm.) The cabinet is available white, black or gray powder-coated finish.

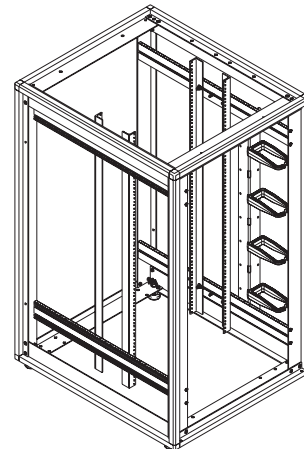
The cabinet is also available in a frame only configuration. (Note: When ordering a frame only configuration, the wire management and mounting rails have a powder-coated finish based on your color selection. The frame is always anodized aluminum.)

Features:

- Cabinet includes a vertical cable management section
- Wide variety of options promote flexibility in cabinet configurability
- Doors are available in plexiglass (front only) or metal; front and rear doors are lockable
- Available in a cabinet or frame-only configuration, with tapped 12-24 or Multi-Mount square-punched rails
- Mounting rail screw threads meet Electronic Industry Association EIA-310-D Standard, and European Telecommunication Standards ETS 300 199
- Front-to-back adjustable rails have standard 5/8" - 5/8" - 1/2" 12-24 alternating hole spacing
- Multi-Mount rail option provides flexibility in mounting servers from a variety of manufacturers



Note: For equipment security and protection, the 48" Megaframe Cabinet features a solid top panel. For vented top options please call tech support.



Height Dimensions	
All Cabinet Styles	
Usable Vertical Panel Space	48.75 (25 RMU)
Overall Height w/o Leveling Feet	48.02"
Overall Height with Leveling Feet	48.92"
Overall Height with Casters	51.50"
Frame Vertical Opening	43.90"

Width Dimensions		
Usable Equipment Panel Width	19" EIA	23" EIA
Overall Width	27.32"	31.32"
Frame Horizontal Opening	20.20"	24.20"

Depth Dimension Cabinet with Doors			
Nominal Cabinet Depth	24"	30"	36"
Maximum Mounting Depth - Rail to Rail	24.00"	30.00"	36.00"
Usable Depth - Inside Door to Inside Door	27.22"	33.22"	39.22"
Overall Depth, Door Face to Door Face	27.62"	33.62"	39.62"

Depth Dimension Frame Only (w/o Doors)			
Nominal Cabinet Depth	24"	30"	36"
Max. Mounting Depth - Rail to Rail	24.00"	30.00"	36.00"
Overall Depth	26.13"	32.13"	38.13"

Shipping Weights: Minimum - 156 lb Maximum - 210 lb

Part numbers are on page 2.



800-834-4969 in US & Canada • www.chatsworth.com

Product Information Sheet

M-SERIES 48" H MEGAFRAME CABINET

CABINET- 48" Height (Top panel is always solid. Call Tech Support for other options)

Example Cabinet Part Number: M2530-112

prefix	1st digit	2nd digit	3rd digit	4th digit	5th digit	6th digit	7th digit
M	Width 1=19" 2=23"	Height 5=48"	Depth 2=24" 3=30" 5=36"	Style 0, 1, 3, 4	Color 1=Gray 2=White 7=Black	Doors 0,1,2,3,4	Shipping 1=Knocked Down (Partial assembly) 2=Assembled

Cabinet Style

0=Tapped rails with side panels
1=Tapped rails,with no side panels
3=MM* rails with side panels
4=MM* rails no side panels

Doors

0=No front or rear doors
1=Plexiglass front/metal rear
2=Metal front/metal rear
3=Vented plexiglass front/perforated metal rear
4=Perforated metal front/perforated metal rear

FRAME ONLY - 48" Frame Selections - No Tops, Side, or Doors

Example Frame Part Number: M1510-102

prefix	1st digit	2nd digit	3rd digit	4th digit	5th digit	6th digit	7th digit
M	Width 1=19" 2=23"	Height 5=48"	Depth 2=24" 3=30" 5=36"	Style 2=Tapped 5=MM*	Color** 1=Gray 2=White 7=Black	Doors 0=None	Shipping 1=Knocked Down (Partial assembly) 2=Assembled

*MM = Multi-Mount Rails (square holes to capture cage nuts)

**Color refers to mounting rails and cable managers only. Frame is anodized aluminum.

Ordering Instructions

When ordering an **M-Series Cabinet**, the part number is always preceded by the letter **M**.

1st Digit - Width

How wide is your equipment mounting requirement?

2nd Digit - Height

How tall a cabinet do you need?

3rd Digit - Depth

What is your maximum mounting depth requirement?

4th Digit - Cabinet Style

Choose your rail style and panel requirement. CPI offers either tapped 12-24 or Multi-Mount square-punched vertical mounting rails. Multi-Mount rails have square holes to capture various size of cage nuts. Specialty rails are available as an accessory.

5th Digit - Color

Color refers to side panels, vertical mounting rails and cable managers only. Frame is anodized aluminum.

6th Digit - Doors

Appearance and ventilation requirements will determine your door style. The plexiglass door is a "smoked" plexiglass.

7th Digit - Shipping

CPI cabinets are available partially assembled (or "knocked down") and fully assembled.

Note: The 48" Megaframe Cabinet features a solid top panel.

Cabinets are also available as a frame only (bottom matrix). For further assistance call 800-834-4969.

800-834-4969 in US & Canada • www.chatsworth.com



CHATSWORTH PRODUCTS, INC.



©2002 Chatsworth Products, Inc. 5/02/GT