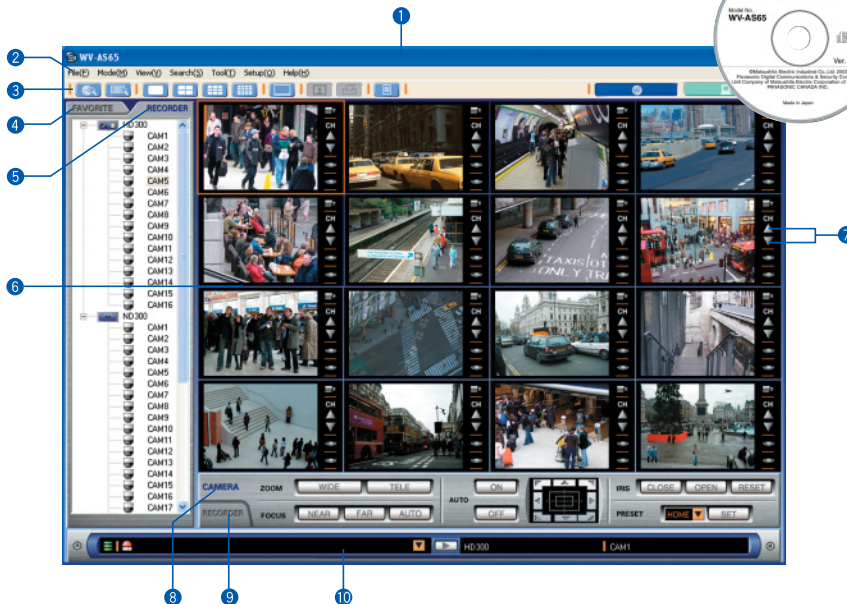


## Management PC Software WV-AS65

# For multi-location surveillance using up to 100 WJ-ND300 Recorders

Sold by:



- 1 Title Bar
- 2 Menu Bar
- 3 Tool Bar
- 4 FAVORITE Tab
- 5 RECORDER Tab
- 6 Image Display Area
- 7 Channel Search Buttons
- 8 Camera Control Panel
- 9 Recorder Control Panel
- 10 Status Bar

## Network Mode

Remote control for multiple WJ-ND300 recorders via the network.

### Display up to 16 channels at once

For live monitoring and playback, select a 1, 4, 9 or 16 window display. Drag and drop cameras from the Recorder & Camera Tree to the screen position of your choice.

### Favorite Register

Register up to 500 frames and camera positions for instant access.

### All-at-Once Search

Allows use of Filtered Search for images stored on multiple WJ-ND300 recorders.

## Local Mode

Download images stored on multiple WJ-ND300 recorders to a client PC for Filtered Search, playback and management.

### Two Download Types

Scheduled Download automatically downloads images at designated intervals. Manual Download is used for downloading live or playback images as needed.

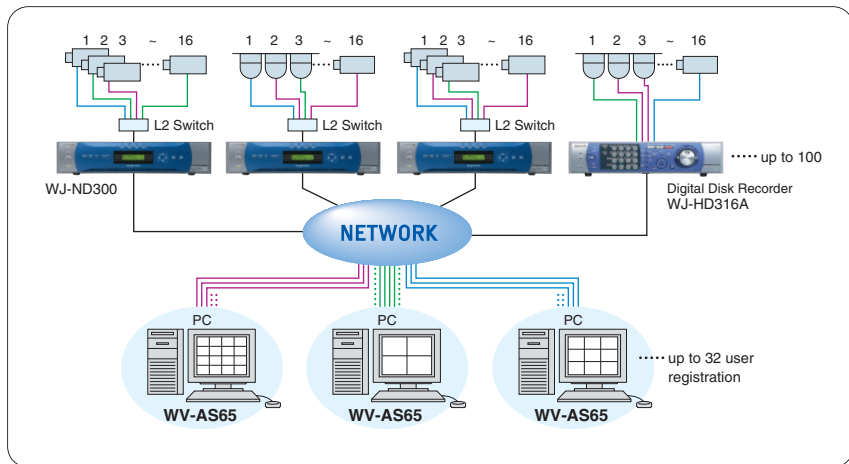
### Maintenance

Optimize PC hard disk space, erase all image files, or automatically delete files at specified intervals.

## System Integration with WJ-HD300A Series

Up to a total of 100 WJ-ND300 and WJ-HD300A Series Digital Disk Recorders can be combined to create a hybrid system.

### SYSTEM DIAGRAM



## SPECIFICATIONS

<b>WJ-ND300 Registration Capacity</b>	up to 100 sets
<b>User Registration Capacity</b>	up to 32 users
<b>User Types</b>	5 types
<b>Schedule Registration Capacity</b>	up to 400 schedules
<b>Favorite Registration Capacity</b>	up to 500
<b>Simultaneous Downloads</b>	up to 10 accesses
<b>Simultaneous Camera Image Displays</b>	up to 16 cameras
<b>Simultaneous File Playbacks</b>	up to 4 files

\*All of the photographs above were taken for the purpose of explanation ; actual images may differ.