

## System Features

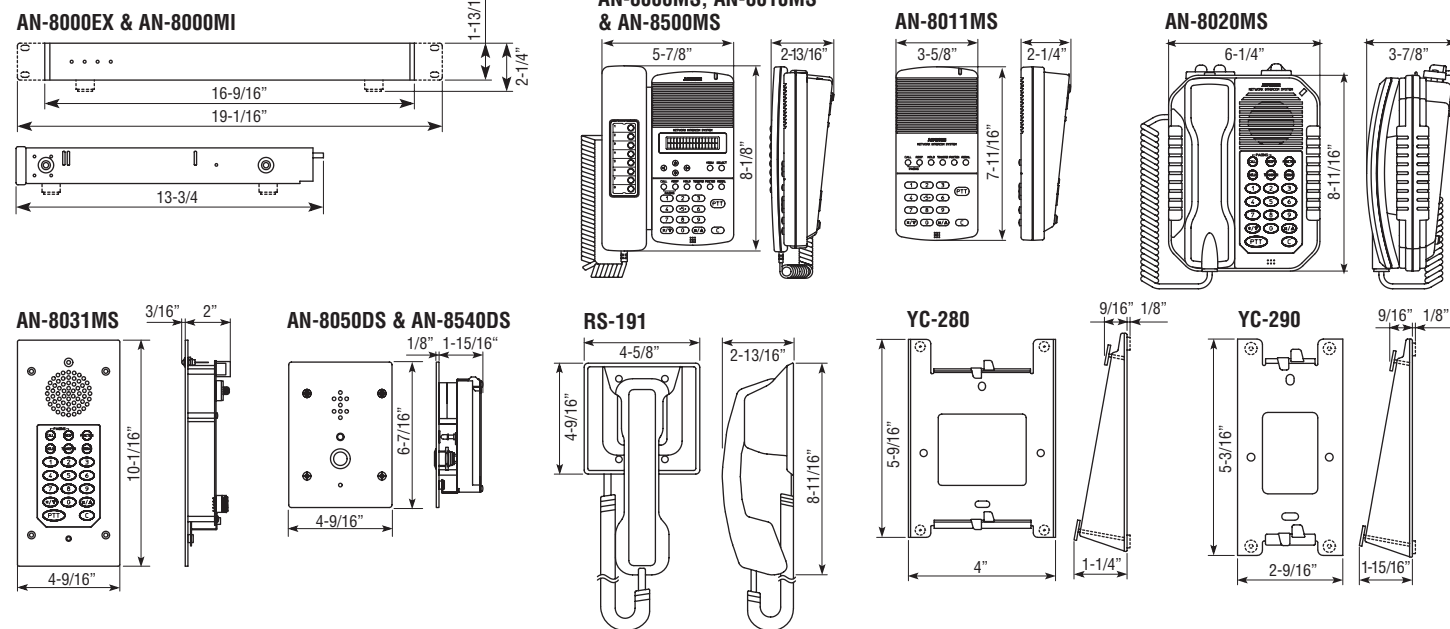
- Network-based intercom system consisting of an exchange unit and dedicated master and door stations.
- Single exchange can connect any combination of door and master stations up to sixteen units.
- Up to 80 exchanges can be included on a system for a total of 1280 communication devices.
- IP Direct master station (AN-8500MS) and vandal resistant door station (AN-8540DS), connect directly to a LAN/WAN and do not require an exchange unit.
- Efficient method of communicating over local or wide area network using existing infrastructure.
- Full compliment of PC Programmable functions and features including Redial, Recall, Auto-dialing, Group Call, Group Searching, Absence transfer, Call Forwarding, Call Hold, and Scan Monitor.
- Automatic echo canceller prevents clipping and ghosting during hands-free simultaneous conversation.
- Stations incorporate a built-in speaker to allow paging through the units.
- Paging through overhead speaker network using an external amplifier with total broadcast capabilities of up to 160-zones with paging and all-call paging.
- Total system maintenance can be performed off-site using a personal computer with provided software.
- 7kHz\* communication frequency provides better clarity than most telephones.
- System occupies a very low amount of bandwidth.

\*network status may cause audio quality to temporarily deteriorate to 3.4 kHz.

# AIPHONE®

## AN-8000 Series IP Network Intercom

### Unit Dimensions



### Aiphone Corporation

1700 130th Ave NE  
Bellevue, WA 98005  
Phone: (800) 692-0200 Fax: (425) 455-0071

[www.aiphone.com](http://www.aiphone.com)

ISO-14001 Certified



Aiphone Co. Ltd.

ISO 9001:2000 Certified



Aiphone Corp.

Deming Prize



Aiphone Co. Ltd.

Sold by:



<http://www.TWAcomm.com>

Toll Free: (877) 389-0000

# 96205  
GSA#: GS-35F-0065L  
AN 2/06  
Printed in USA

# AIPHONE®

Leading the Way

## A World of Security Communication

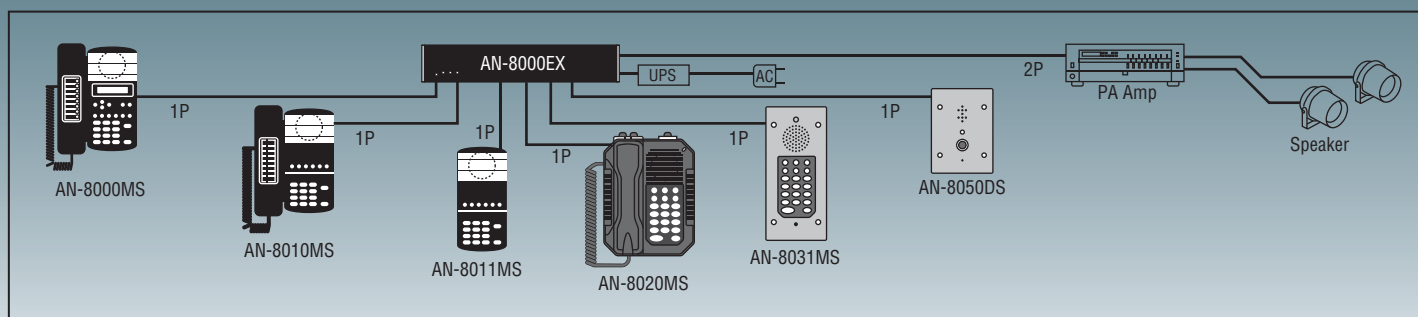


# IP Network Compatible Communication System

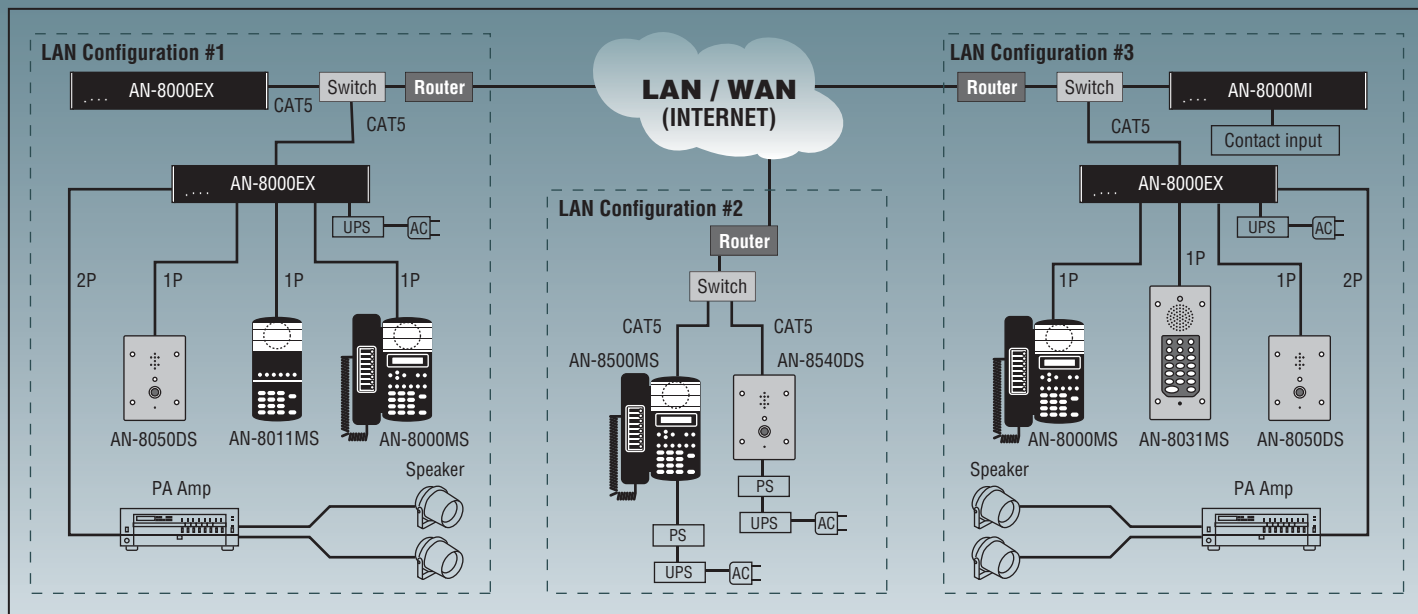
The AN-8000 Series is an IP network compatible intercom system employing packet audio technology. Linking IP Intercom Exchanges capable of connecting up to 16 stations per exchange, Multiple Interface Units, and IP Stations to a LAN or WAN network, generates an optimal system that can be constructed for in-house or wide area information communications such as duplex conversations between stations, periodical broadcasts, and BGM broadcasts.

Combining 80 Exchanges, Multiple Interface Units, and IP Stations creates systems with up to a total of 1,280 stations. The system's "echo cancellation" feature provides hands-free duplex conversation between stations. In addition, the Multiple Interface Unit features a contact bridge function to be performed by way of contact input and output control.

## Basic System: up to 16 stations and 2 outputs for PA paging



## LAN/WAN IP Network System: connecting Wide Area Network (WAN), up to 80 Exchanges, Multiple Interface Units & IP Stations



## Master Stations

### AN-8000MS

Multifunctional Handset Master Station with LCD display



### Features -

- Same features as AN-8010MS plus:
- LCD display (2 lines of 16 characters)
- Limited programming capabilities
- 8 speed dial buttons

### AN-8010MS

Standard Handset Master Station



### Features:

- Hands-free or handset communication
- Headset port on back of unit
- External speaker port
- Hold, redial and transfer buttons

### AN-8011MS

Open Voice Master Station



### Features:

- Hands-free communication
- External speaker port
- Hold, redial and transfer buttons
- Compact size

### AN-8020MS

Industrial Master Station



### Features:

- Heavy-duty design for industrial use and adverse environments
- Hands-free or handset communication
- External speaker port
- Hold, redial and transfer buttons
- Temp. range of -10° C to 50° C
- Dry contacts when call is placed/received

### AN-8031MS

Flush Mount Master Station



### Features:

- Hands-free communication
- Port for optional RS-191 handset
- Footswitch speed dial inputs
- Hold, redial and transfer buttons
- Flush mount

### AN-8500MS

IP Multifunctional Handset Master Station with LCD display



### Features -

- Same features as AN-8010MS plus:
- Does not require AN-8000EX
- Connects directly to LAN or WAN

Available 2<sup>nd</sup> Quarter 2006

## Door Stations

### AN-8050DS

Flush Mount Door Station



### Features:

- Indoor use only
- Flush mount (3-gang)
- Door release open collector output (30VDC, 50mA)
- Temperature range of -10° C to 50° C

### AN-8540DS

IP Flush Mount Door Station



### Features -

- Same features as AN-8050DS plus:
- Does not require AN-8000EX
- Connects directly to LAN or WAN

Available 2<sup>nd</sup> Quarter 2006

## Exchange & Multiple Interface Units

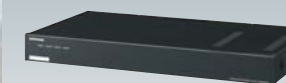


### AN-8000EX

Network Intercom Exchange Unit

### Features:

- 16 Stations per exchange
- 2 paging outputs per exchange (0dB, 600W)
- 2 paging output controls per exchange (24VDC, 500mA)
- 10 BASE-T or 100 BASE-TX network connection (RJ45)



### AN-8000MI

Multiple Interface Unit

### Features:

- Two inputs for audio distribution
- 16 input and output controls
- 2 PBX interface inputs (E & M interface)
- EIA standard rack (1 U) mountable

Available 2<sup>nd</sup> Quarter 2006

## Options & Accessories



**RS-191**  
Handset used with AN-8031MS, wall mount



**YC-280**  
Wall bracket for AN-8000MS and AN-8010MS



**YC-290**  
Wall bracket for AN-8011MS and AN-8020MS

