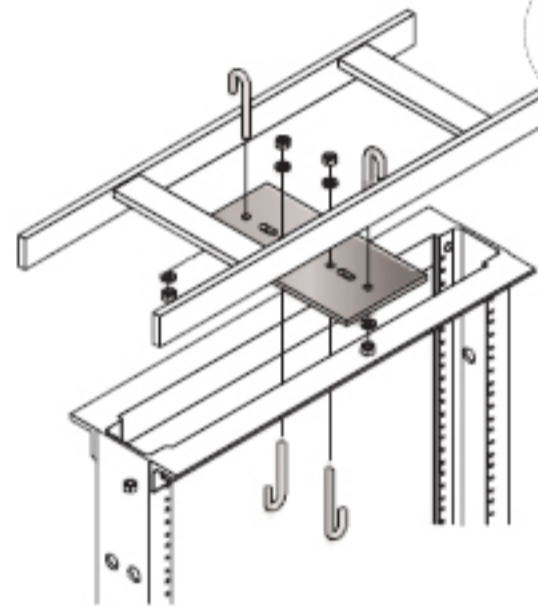


Product Information Sheet

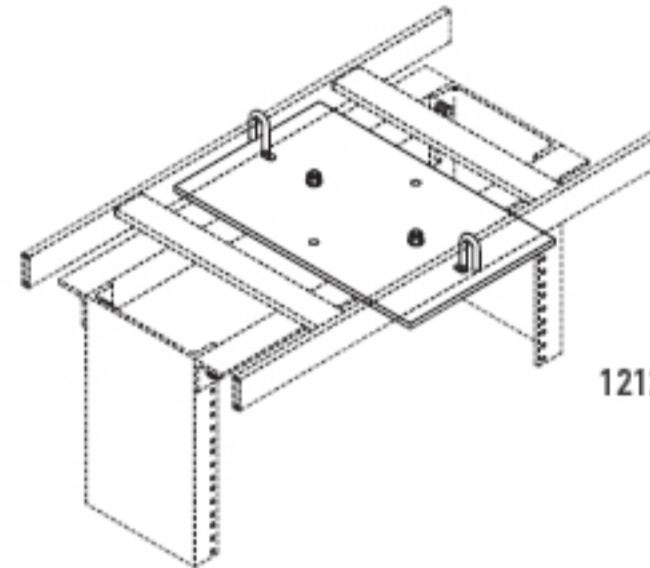
RACK-TO-RUNWAY MOUNTING PLATE USING J-BOLTS

Secures cable runway to the top of Standard and Universal equipment racks. J-Bolts hook under the mounting plate to secure the plate to the rack's top angles. Mounts either parallel or perpendicular. For proper attachment of 6" runway, use top bars (13045 Series) rather than top angles on your rack.

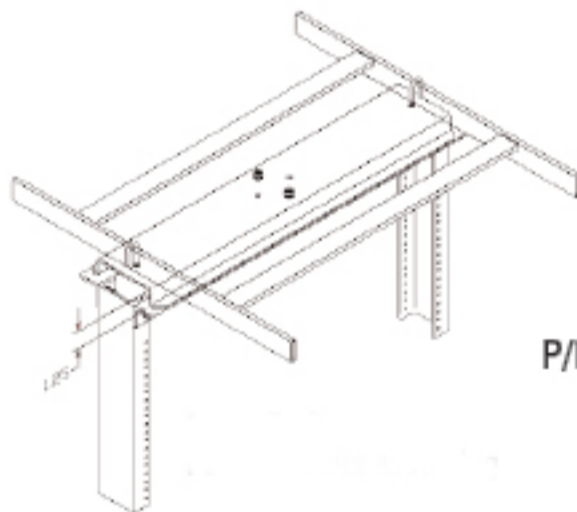
- Various sizes accommodate our popular cable runway widths and rack depths
- Includes hardware to match 1.25" high or 1.5" high rack top angles (current and past models of CPI Standard and Universal Racks)
- Kits (10595) and (12121) consist of:
 - 1 mounting plate
 - 4 J-Bolts, 5/16-18 x 2-1/4"
 - 2 J-Bolts, 5/16-18 x 2"
 - 4 hex nuts, 5/16-18
 - 4 split lock washers, 5/16"
- Kits (12408) and (12409) consist of:
 - 1 mounting plate
 - 2 J-Bolts, 5/16-18 x 3-1/4"
 - 2 J-Bolts, 5/16-18 x 2-1/4"
 - 4 hex nuts, 5/16-18
 - 4 split lock washers, 5/16"



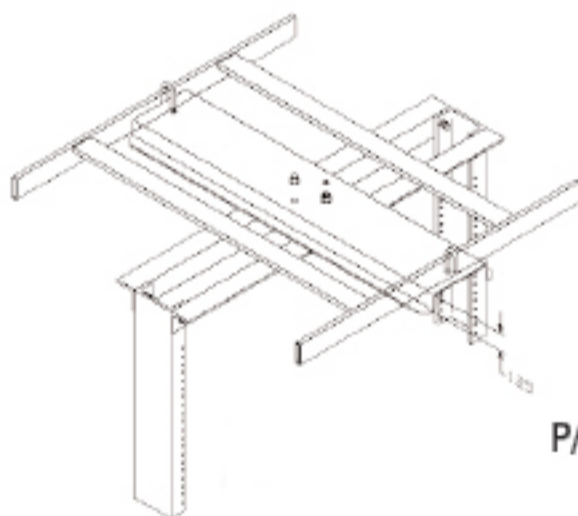
10595-XXX
Parallel Mounting
on Rack with 3"D Channel



12121-XXX



P/N 12408-X24



P/N 12409-X24

Note: 12408-X24 and 12409-X24 mounting plates add 1.25" to height of rack.

Mounting Plate Using Hat-Shaped Bracket				
Part Number	Rack Channel Depth	Runway Width	Plate Material	Shipping Weight
10595-X04	3"	4"	Steel	3 lb
10595-X08		5" to 8"	Steel	4 lb
10595-X12		9" to 12"	Steel	5 lb
10595-X18		15" to 18"	Steel	7 lb
12408-X24		20" to 24"	Aluminum	4 lb
12121-X09	6"	5" to 9"	Aluminum	5 lb
12121-X12		10" to 12"	Aluminum	5 lb
12121-X18		15" to 18"	Aluminum	7 lb
12409-X24		20" to 24"	Aluminum	5 lb

Note: (X) denotes finish color: (-1) for Gray, (-2) for White or (-7) for Black
 10595 is available in (-0) for Gold Finish color.

800-834-4969 in U.S. & Canada • www.chatsworth.com